



Chipsmall Limited consists of a professional team with an average of over 10 year of expertise in the distribution of electronic components. Based in Hongkong, we have already established firm and mutual-benefit business relationships with customers from,Europe,America and south Asia,supplying obsolete and hard-to-find components to meet their specific needs.

With the principle of “Quality Parts,Customers Priority,Honest Operation,and Considerate Service”,our business mainly focus on the distribution of electronic components. Line cards we deal with include Microchip,ALPS,ROHM,Xilinx,Pulse,ON,Everlight and Freescale. Main products comprise IC,Modules,Potentiometer,IC Socket,Relay,Connector.Our parts cover such applications as commercial,industrial, and automotives areas.

We are looking forward to setting up business relationship with you and hope to provide you with the best service and solution. Let us make a better world for our industry!



## Contact us

Tel: +86-755-8981 8866 Fax: +86-755-8427 6832

Email & Skype: info@chipsmall.com Web: www.chipsmall.com

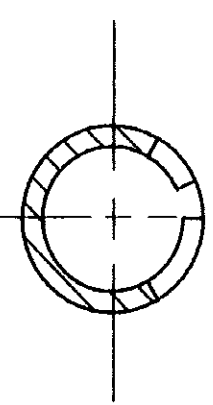
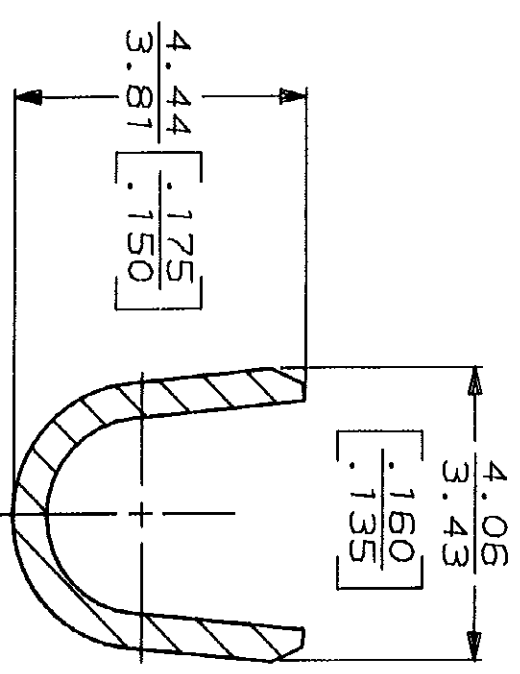
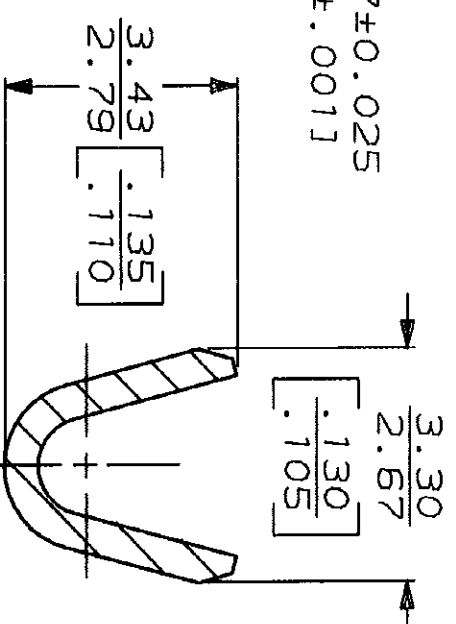
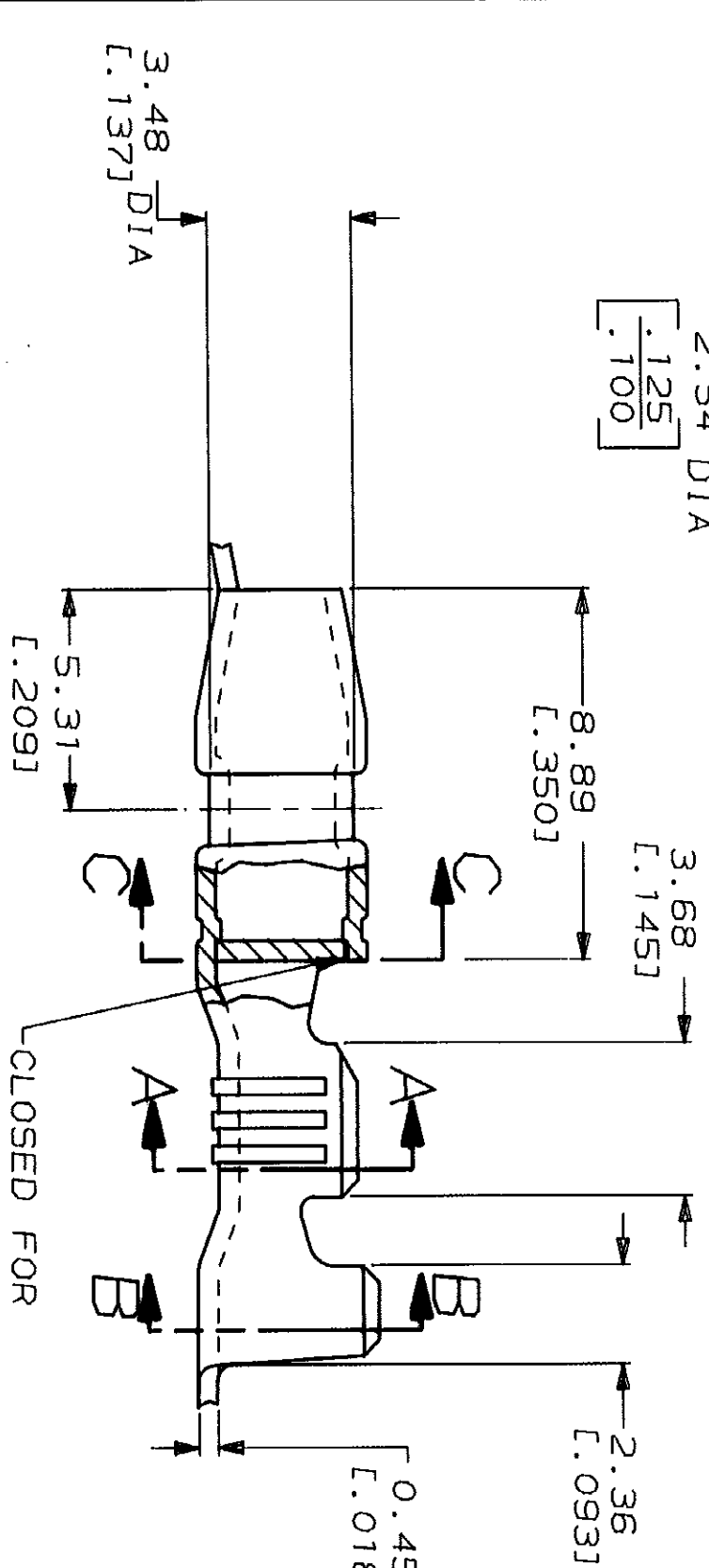
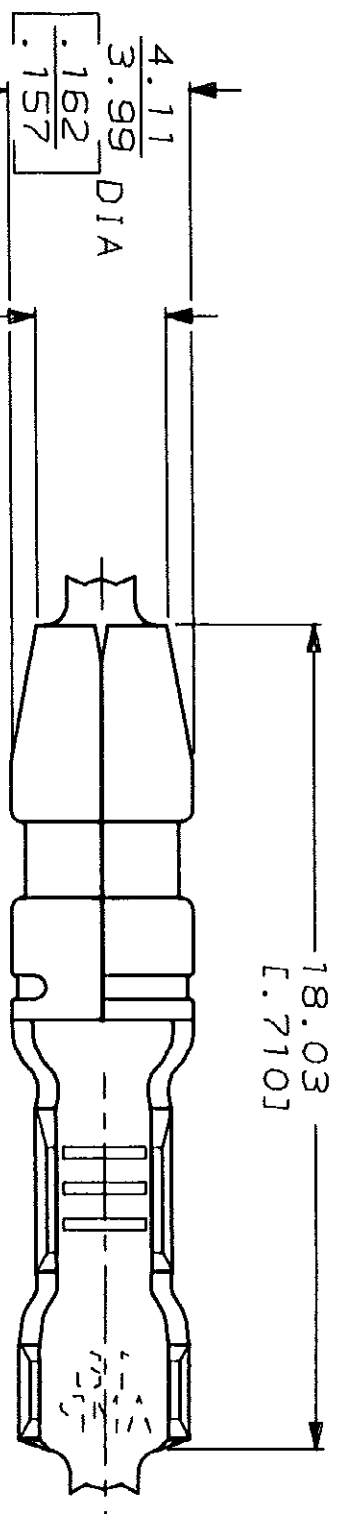
Address: A1208, Overseas Decoration Building, #122 Zhenhua RD., Futian, Shenzhen, China



THIS DRAWING IS UNPUBLISHED. RELEASED FOR PUBLICATION BY AMP INCORPORATED. ALL INTERNATIONAL RIGHTS RESERVED. © COPYRIGHT 19

LOC	DIST	F	ZONE	LTR	DESCRIPTION	DATE	APPD
AF	50			H	REDRAWN PER AF-6810	7/26/90	PF/JR

REVISONS	DESCRIPTION	DATE	APPD



CLOSED FOR MOLDING PURPOSES

1 CONTINUOUS STRIP ON REELS

**METRIC**

TYPE	WIDTH	STRIP LENGTH	TYPE	WIDTH	WIRE
INSUL BARREL CRIMP	3.56 [140]	5.33 [210]	F	2.29 [090]	WIRE BARREL CRIMP
F or 0					

DO NOT SCALE PRINT. UNLESS SPECIFIED DIMENSIONS IN MILLIMETERS (DIMENSIONS IN INCHES) TOLERANCES ON:	DR	7/26/90	P FORNEY	AMP	AMP Incorporated
1.50 [059]	CHK	7/26/90	JR RUTH	HARRISBURG, PA	17105-3608
2.00 [079]	APPD	7/26/90	G VETTER		
3.00 [118]	APPD	7/26/90	R KUZO		
4.00 [157]	PRODUCT SPEC				
5.00 [197]	FINISH				
6.00 [236]	MAX PRE-TIN PL				
7.00 [276]	PER MIL-T-10727				
8.00 [315]	WEIGHT				
9.00 [354]					
10.00 [394]					
11.00 [433]					
12.00 [472]					
13.00 [512]					
14.00 [551]					
15.00 [590]					
16.00 [630]					
17.00 [669]					
18.00 [708]					
19.00 [748]					
20.00 [787]					
21.00 [826]					
22.00 [865]					
23.00 [905]					
24.00 [944]					
25.00 [983]					
26.00 [1022]					
27.00 [1062]					
28.00 [1101]					
29.00 [1140]					
30.00 [1180]					
31.00 [1219]					
32.00 [1258]					
33.00 [1297]					
34.00 [1337]					
35.00 [1376]					
36.00 [1415]					
37.00 [1454]					
38.00 [1494]					
39.00 [1533]					
40.00 [1572]					
41.00 [1611]					
42.00 [1651]					
43.00 [1690]					
44.00 [1729]					
45.00 [1768]					
46.00 [1808]					
47.00 [1847]					
48.00 [1886]					
49.00 [1925]					
50.00 [1965]					

CUSTOMER DRAWING