



Chipsmall Limited consists of a professional team with an average of over 10 year of expertise in the distribution of electronic components. Based in Hongkong, we have already established firm and mutual-benefit business relationships with customers from,Europe,America and south Asia,supplying obsolete and hard-to-find components to meet their specific needs.

With the principle of "Quality Parts,Customers Priority,Honest Operation,and Considerate Service",our business mainly focus on the distribution of electronic components. Line cards we deal with include Microchip,ALPS,ROHM,Xilinx,Pulse,ON,Everlight and Freescale. Main products comprise IC,Modules,Potentiometer,IC Socket,Relay,Connector.Our parts cover such applications as commercial,industrial, and automotives areas.

We are looking forward to setting up business relationship with you and hope to provide you with the best service and solution. Let us make a better world for our industry!



Contact us

Tel: +86-755-8981 8866 Fax: +86-755-8427 6832

Email & Skype: info@chipsmall.com Web: www.chipsmall.com

Address: A1208, Overseas Decoration Building, #122 Zhenhua RD., Futian, Shenzhen, China



THIS DRAWING IS UNPUBLISHED.

RELEASED FOR PUBLICATION

ALL RIGHTS RESERVED.

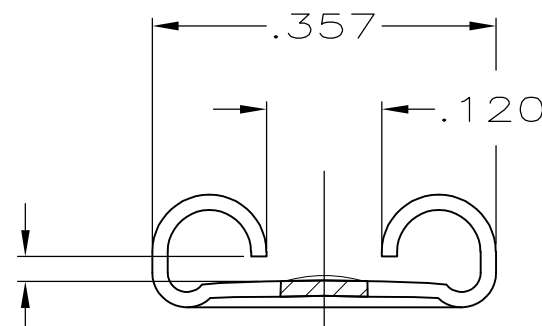
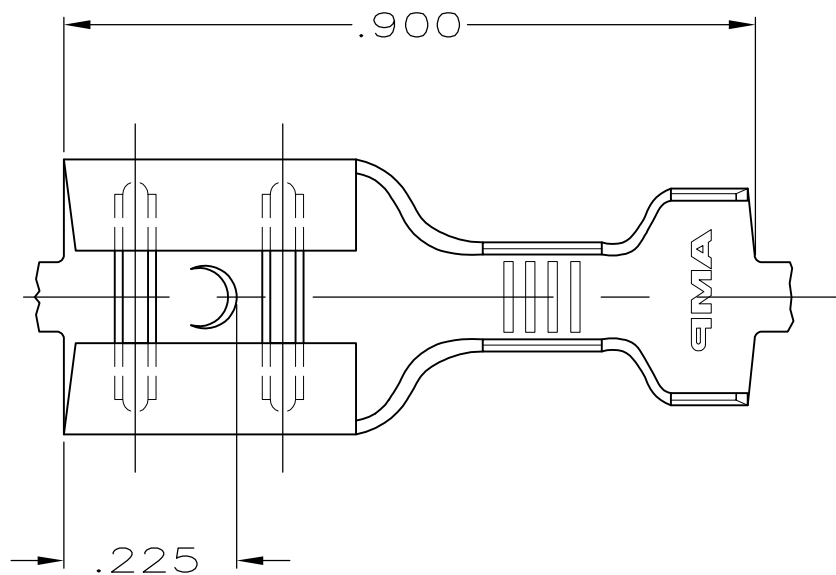
© COPYRIGHT - By -

LOC AF DIST 50

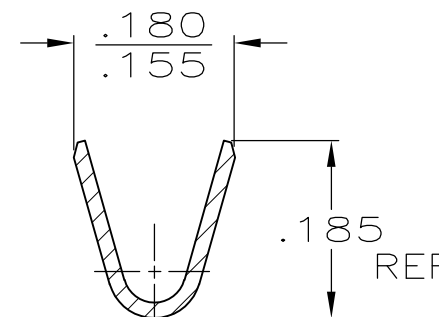
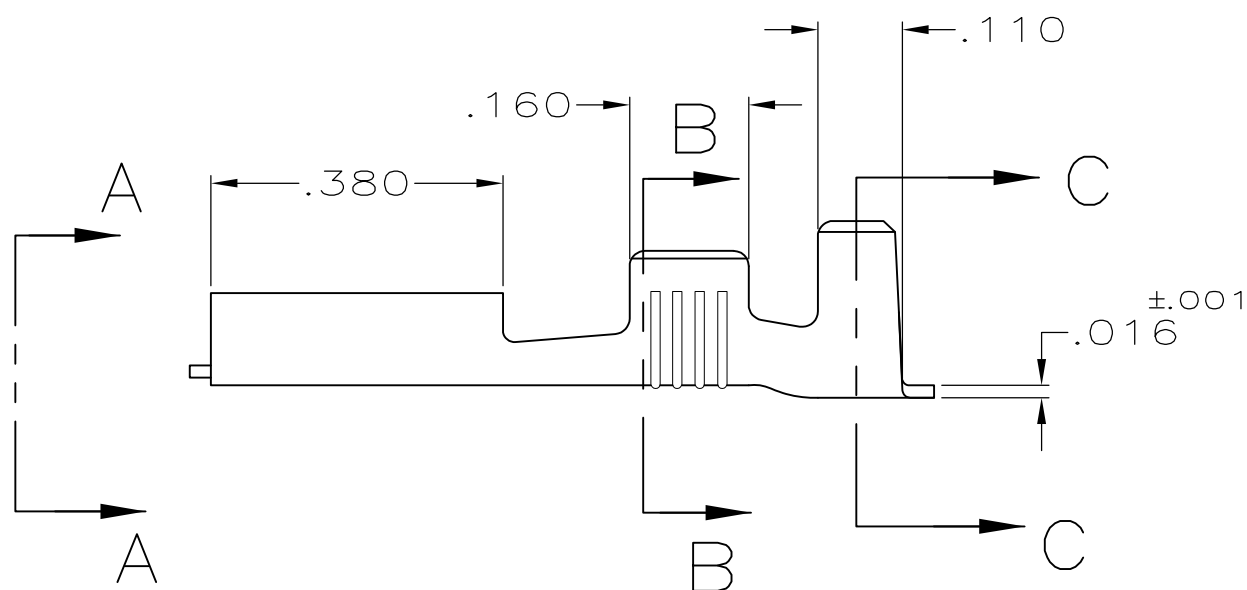
REVISIONS

P	LTR	DESCRIPTION	DATE	DWN	APVD
	K	REVISED PER ECR-12-013459	29NOV2012	KH	PD

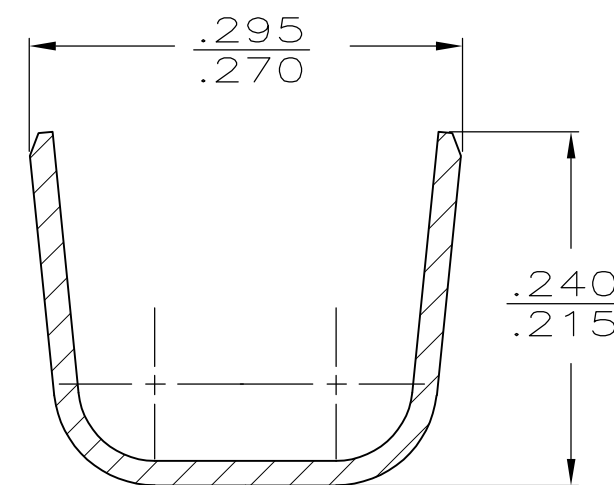
1 CONTINUOUS STRIP ON REELS



FITS .312 SERIES FASTON TABS
VIEW A-A
SCALE 5:1




SECTION B-B
SCALE 5:1



SECTION C-C
SCALE 5:1

.110-.210 OR (2).110 MAX	16-12 AWG	.032	61399-1
INSULATION RANGE	WIRE SIZE	MATING TAB THK ±.001	PART NO

THIS DRAWING IS A CONTROLLED DOCUMENT.		DWN JR RUTH 10/28/91	 TE Connectivity												
DIMENSIONS: INCHES		CHK MS FEHER 10/28/91			NAME										
TOLERANCES UNLESS OTHERWISE SPECIFIED:		APVD C MEYERS 10/28/91				RECEPTACLE, FASTON, .312 SERIES									
<table border="1"> <tr><td>0 PLC</td><td>± -</td></tr> <tr><td>1 PLC</td><td>± -</td></tr> <tr><td>2 PLC</td><td>± -</td></tr> <tr><td>3 PLC</td><td>± .010</td></tr> <tr><td>4 PLC</td><td>± -</td></tr> <tr><td>ANGLES</td><td>± -</td></tr> </table>		0 PLC			± -		1 PLC	± -	2 PLC	± -	3 PLC	± .010	4 PLC	± -	ANGLES
0 PLC	± -														
1 PLC	± -														
2 PLC	± -														
3 PLC	± .010														
4 PLC	± -														
ANGLES	± -														
MATERIAL BRASS	FINISH TIN	APPLICATION SPEC 114-2036	SIZE A3	CAGE CODE 00779	DRAWING NO C-61399	RESTRICTED TO -									
CUSTOMER DRAWING			SCALE 4:1	SHEET 1 OF 1	REV K										