



Chipsmall Limited consists of a professional team with an average of over 10 year of expertise in the distribution of electronic components. Based in Hongkong, we have already established firm and mutual-benefit business relationships with customers from,Europe,America and south Asia,supplying obsolete and hard-to-find components to meet their specific needs.

With the principle of "Quality Parts,Customers Priority,Honest Operation,and Considerate Service",our business mainly focus on the distribution of electronic components. Line cards we deal with include Microchip,ALPS,ROHM,Xilinx,Pulse,ON,Everlight and Freescale. Main products comprise IC,Modules,Potentiometer,IC Socket,Relay,Connector.Our parts cover such applications as commercial,industrial, and automotives areas.

We are looking forward to setting up business relationship with you and hope to provide you with the best service and solution. Let us make a better world for our industry!



Contact us

Tel: +86-755-8981 8866 Fax: +86-755-8427 6832

Email & Skype: info@chipsmall.com Web: www.chipsmall.com

Address: A1208, Overseas Decoration Building, #122 Zhenhua RD., Futian, Shenzhen, China



NOTES:

1. FINISHED PRODUCT TO BE PACKAGED 100 PIECES PER PARTITIONED BOX.
2. CONNECTOR ASSEMBLY SEALED WITH EPOXY AT PC TAIL END.

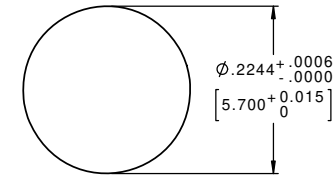
CUSTOMER APPROVAL

THIS DOCUMENT CONTAINS CONFIDENTIAL INFORMATION PROPRIETARY TO CONXALL CORPORATION. ANY REPRODUCTION, DISCLOSURE, OR USE OF THIS DOCUMENT / INFORMATION IS EXPRESSLY PROHIBITED UNLESS AUTHORIZED IN WRITING BY CONXALL CORPORATION.

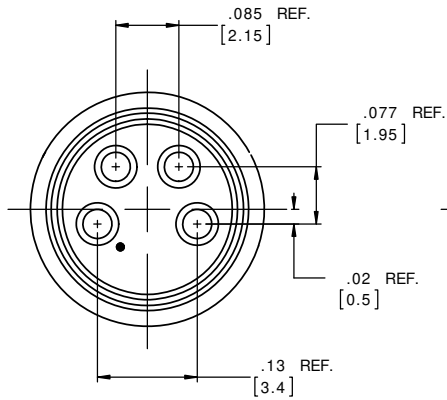
APPROVED BY: _____

DATE: _____

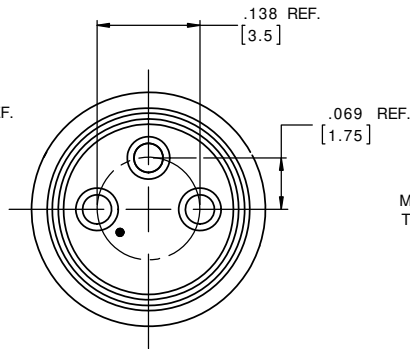
CXA PART NO.	NO. OF POS.
613PCBM	3
614PCBM	4



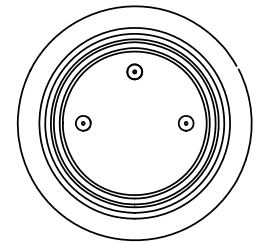
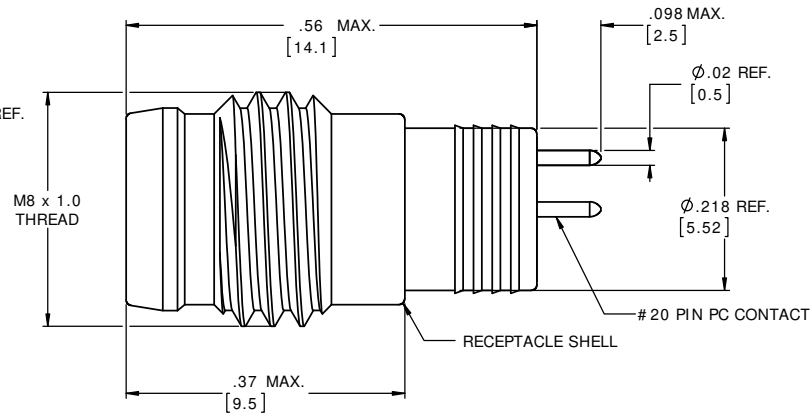
PANEL CUT-OUT



MATING FACE
4 POSITIONS



MATING FACE
3 POSITIONS



P.C. TAIL END

PROPRIETARY

THIS DOCUMENT CONTAINS CONFIDENTIAL INFORMATION PROPRIETARY TO CONXALL CORPORATION. ANY REPRODUCTION, DISCLOSURE, OR USE OF THIS DOCUMENT / INFORMATION IS EXPRESSLY PROHIBITED UNLESS AUTHORIZED IN WRITING BY CONXALL CORPORATION.

DIMENSIONS INCHES [MM]

RoHS COMPLIANT

B	AB	08-09-16	UPDATED MANUFACTURING NOTES PER ECR 9070.
A	AB	03-16-16	DRAWING CREATED PER RTM & DOR 10-2500JS-2
REV.	INIT.	DATE	DESCRIPTION
ORIG. DRAWN BY: C/LY		DATE: 07-01-12	 601 E. WILDWOOD VILLA PARK, IL 60181
CHECKED BY:			
APPROVED BY:			TITLE: MALE RECEPTACLE, M8 THREAD STYLE BM (LONG)
SCALE: NTS	SIZE: B	SHEET: 1 OF 1	CUSTOMER: STANDARD PRODUCT
FILE: SAME AS P/N	DIRECTORY: SLW	PART NUMBER: 61XPCBM FAM	REV: B