



Chipsmall Limited consists of a professional team with an average of over 10 year of expertise in the distribution of electronic components. Based in Hongkong, we have already established firm and mutual-benefit business relationships with customers from,Europe,America and south Asia,supplying obsolete and hard-to-find components to meet their specific needs.

With the principle of "Quality Parts,Customers Priority,Honest Operation,and Considerate Service",our business mainly focus on the distribution of electronic components. Line cards we deal with include Microchip,ALPS,ROHM,Xilinx,Pulse,ON,Everlight and Freescale. Main products comprise IC,Modules,Potentiometer,IC Socket,Relay,Connector.Our parts cover such applications as commercial,industrial, and automotives areas.

We are looking forward to setting up business relationship with you and hope to provide you with the best service and solution. Let us make a better world for our industry!



## Contact us

Tel: +86-755-8981 8866 Fax: +86-755-8427 6832

Email & Skype: info@chipsmall.com Web: www.chipsmall.com

Address: A1208, Overseas Decoration Building, #122 Zhenhua RD., Futian, Shenzhen, China

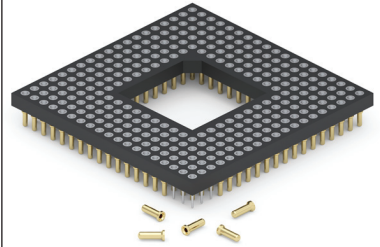
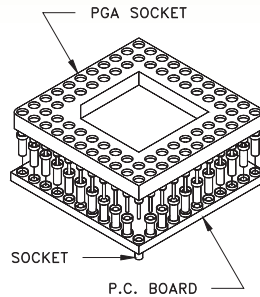


# PIN GRID ARRAY SOCKETS

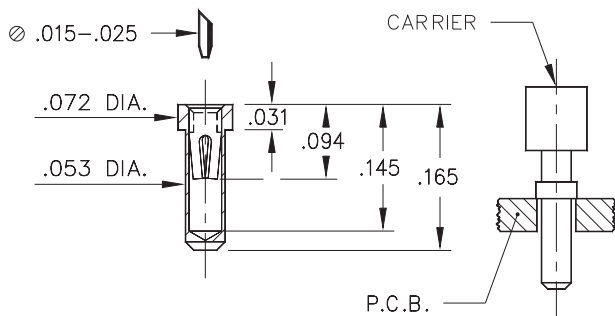
## SERIES 605, 614 • .100" AND INTERSTITIAL GRID • CARRIER TYPE

- Series 614 & 605 PGA carrier sockets offer 4 receptacle styles
- Many combinations of receptacles and clips to cover all applications
- Carrier sockets provide a convenient way of loading groups of receptacles onto a PC board
- Removeable insulator makes carriers ideal for low profile applications
- High temperature PCT polyester insulator material suitable for all forms of soldering including lead-free
- For Electrical, Mechanical and Environmental Data, see page 137 for details

### APPLICATION OF PGA SOCKET CARRIERS

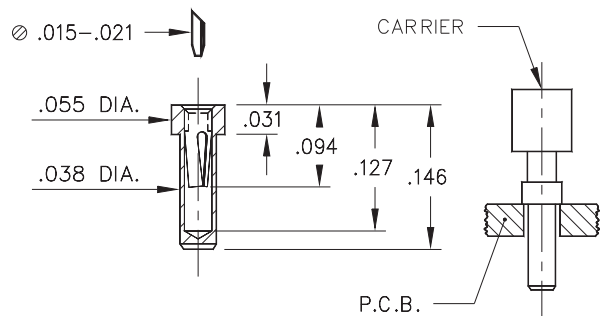


### SERIES 614...001, 002, 003 LOW PROFILE SOCKET

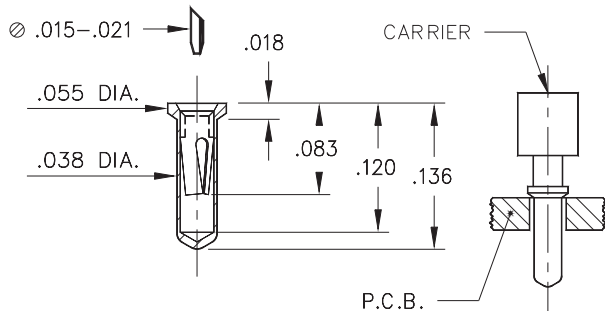


For .100" Grid Only

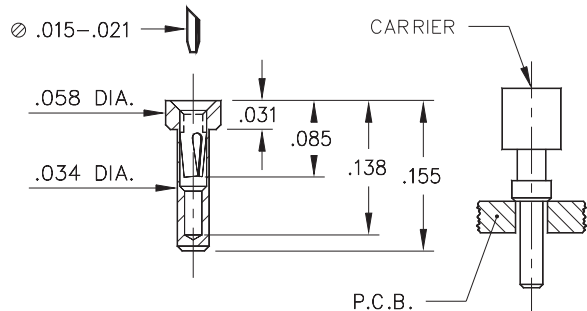
### SERIES 614...007 MINIATURE SOCKET



### SERIES 614...012 LOWEST PROFILE SOCKET





### SERIES 605...048 REDUCED BARREL SOCKET



XX=Plating Code  
See Below

RoHS-2  
2011/65/EU

Visit [www.mill-max.com/pga](http://www.mill-max.com/pga)  
to configure a formal part number

SPECIFY PLATING CODE XX=	13	93	43
Sleeve (Pin) 	10 μ" Au	200 μ" Sn/Pb	200 μ" Sn
Contact (Clip) 	30 μ" Au	30 μ" Au	30 μ" Au

