



Chipsmall Limited consists of a professional team with an average of over 10 year of expertise in the distribution of electronic components. Based in Hongkong, we have already established firm and mutual-benefit business relationships with customers from,Europe,America and south Asia,supplying obsolete and hard-to-find components to meet their specific needs.

With the principle of "Quality Parts,Customers Priority,Honest Operation,and Considerate Service",our business mainly focus on the distribution of electronic components. Line cards we deal with include Microchip,ALPS,ROHM,Xilinx,Pulse,ON,Everlight and Freescale. Main products comprise IC,Modules,Potentiometer,IC Socket,Relay,Connector.Our parts cover such applications as commercial,industrial, and automotives areas.

We are looking forward to setting up business relationship with you and hope to provide you with the best service and solution. Let us make a better world for our industry!



Contact us

Tel: +86-755-8981 8866 Fax: +86-755-8427 6832

Email & Skype: info@chipsmall.com Web: www.chipsmall.com

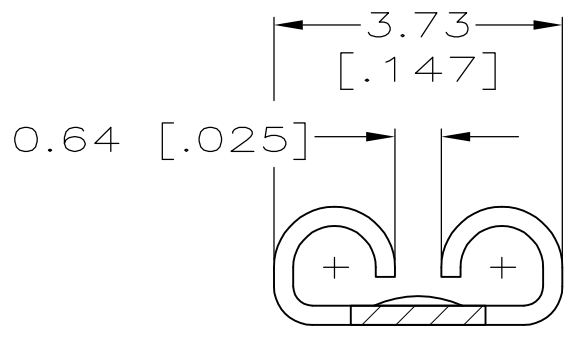
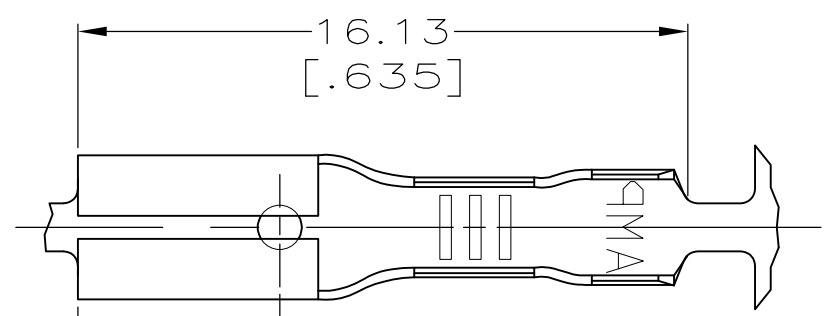
Address: A1208, Overseas Decoration Building, #122 Zhenhua RD., Futian, Shenzhen, China



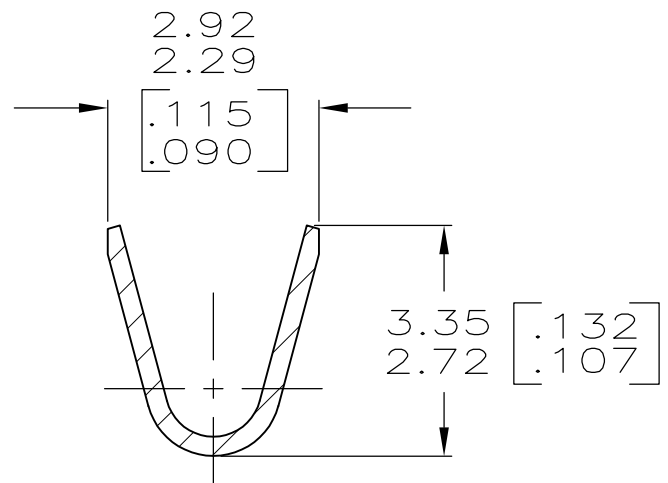
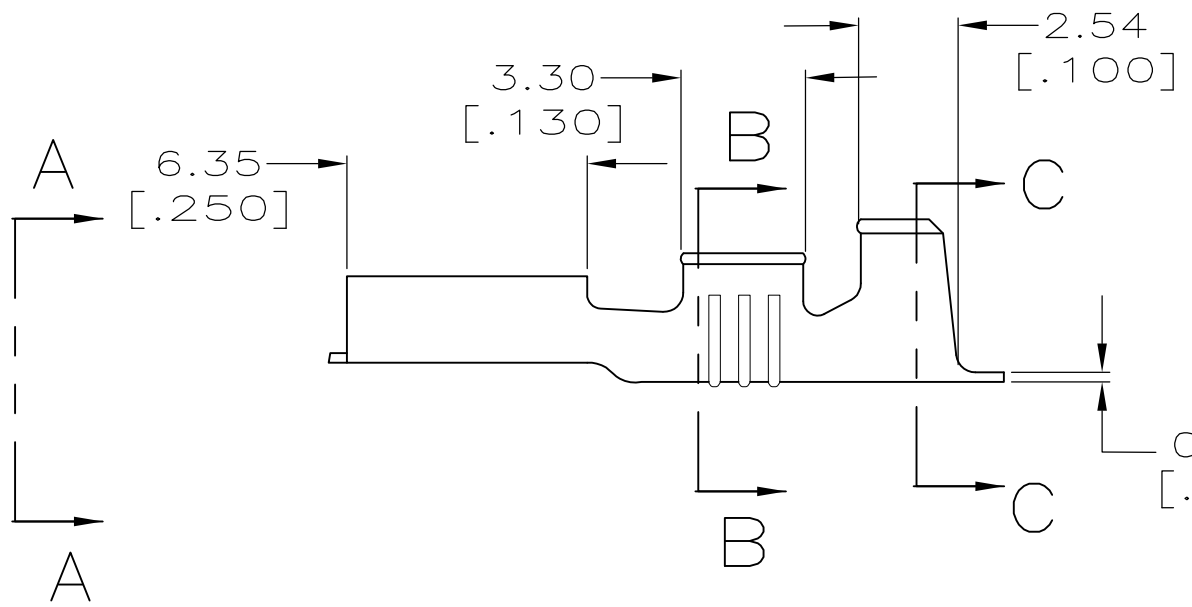
THIS DRAWING IS UNPUBLISHED. RELEASED FOR PUBLICATION
 © COPYRIGHT - By - ALL RIGHTS RESERVED.

LOC	DIST	REVISIONS			
P	LTR	DESCRIPTION	DATE	DWN	APVD
AF	50	C	REVISED PER ECR-12-013459	28NOV2012	KH PD

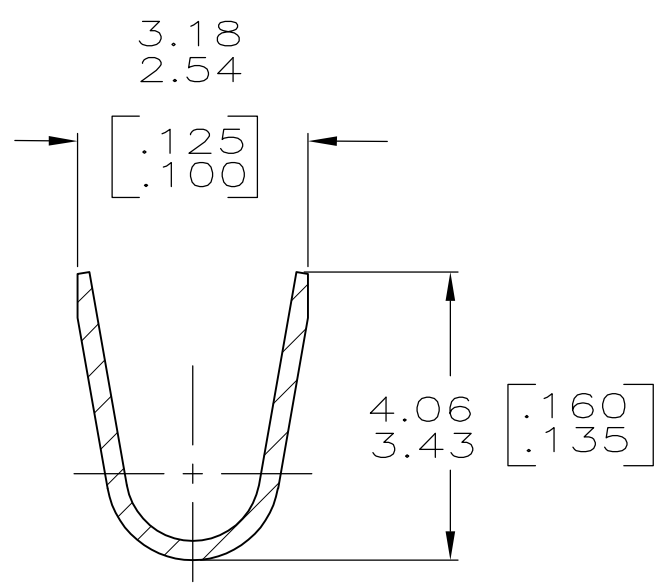
- CONTINUOUS STRIP ON REELS.
- WIRE SIZE [#20-#16] AWG.
- INSULATION RANGE 1.52-2.54
[.060-.100] DIA.
- MATING TAB THK 0.51 ± 0.025
[.020 ± .001].



VIEW A-A
SCALE 10:1



SECTION B-B
SCALE 10:1



SECTION C-C
SCALE 10:1

61408-1
PART NO.

THIS DRAWING IS A CONTROLLED DOCUMENT.		DWN	JR RUTH	2/7/96	TE Connectivity			RECEPTACLE, FASTON, 2.79 [.110] SERIES						
DIMENSIONS: mm [INCHES]		CHK	MS FEHER	2/7/96										
TOLERANCES UNLESS OTHERWISE SPECIFIED:		APVD	P DESANTIS	2/7/96										
0 PLC ± - 1 PLC ± - 2 PLC ± 0.38 [.015] 3 PLC ± - 4 PLC ± - ANGLES ± -		PRODUCT SPEC		NAME										
MATERIAL		BRASS		FINISH	PRE-TIN		APPLICATION SPEC	SIZE	CAGE CODE	DRAWING NO	RESTRICTED TO			
							WEIGHT	A3 00779		C-61408				
							CUSTOMER DRAWING		SCALE	5:1	SHEET	1 OF 1	REV	C