



Chipsmall Limited consists of a professional team with an average of over 10 year of expertise in the distribution of electronic components. Based in Hongkong, we have already established firm and mutual-benefit business relationships with customers from,Europe,America and south Asia,supplying obsolete and hard-to-find components to meet their specific needs.

With the principle of “Quality Parts,Customers Priority,Honest Operation,and Considerate Service”,our business mainly focus on the distribution of electronic components. Line cards we deal with include Microchip,ALPS,ROHM,Xilinx,Pulse,ON,Everlight and Freescale. Main products comprise IC,Modules,Potentiometer,IC Socket,Relay,Connector.Our parts cover such applications as commercial,industrial, and automotives areas.

We are looking forward to setting up business relationship with you and hope to provide you with the best service and solution. Let us make a better world for our industry!



## Contact us

Tel: +86-755-8981 8866 Fax: +86-755-8427 6832

Email & Skype: info@chipsmall.com Web: www.chipsmall.com

Address: A1208, Overseas Decoration Building, #122 Zhenhua RD., Futian, Shenzhen, China





## Plate 135°

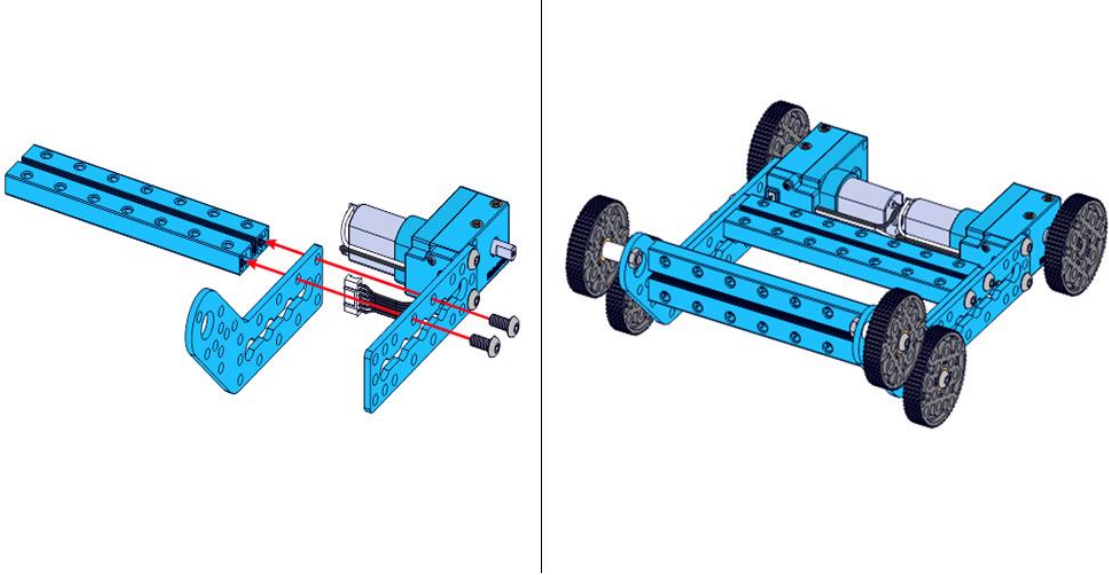
SKU: 61410 Weight: 16.00 Gram

## Plate 135°

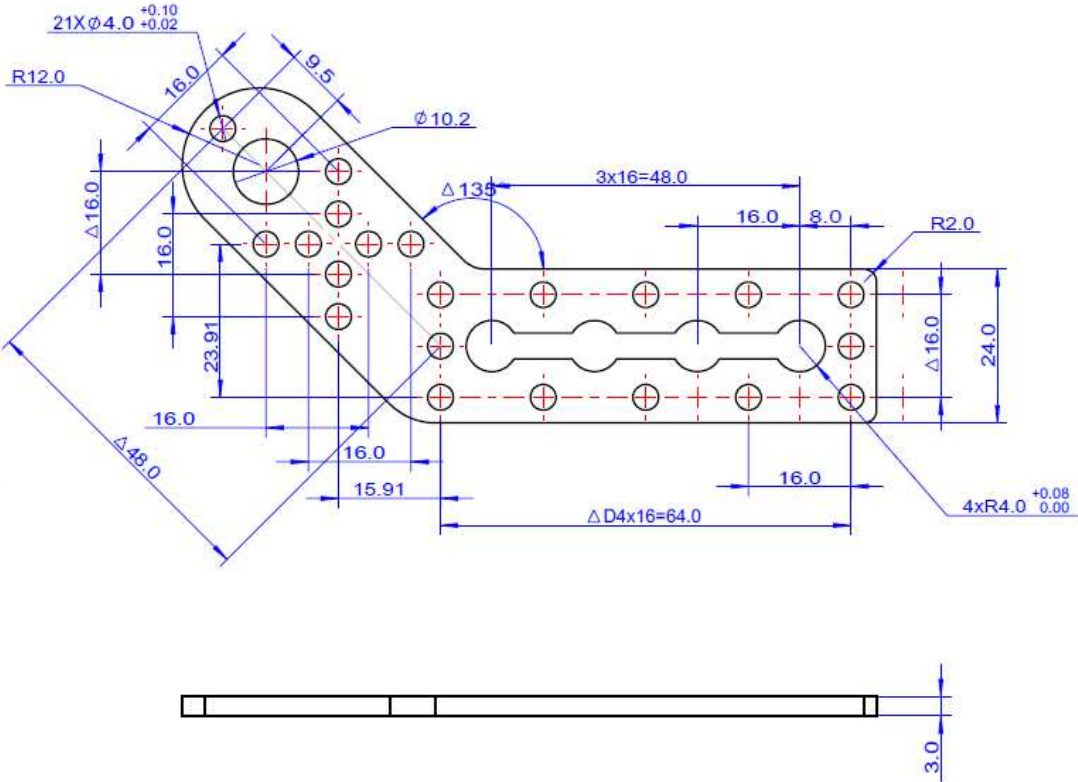
Plate 135° is one of Makeblock parts for DIY. It is made of 6061 aluminum alloy with Aluminum extrusion technology. This part is also compatible with all Makeblock parts. You can build a structure with an angle of 135 degrees with it, such as mBot Ranger. All in all, it will make your robots or machines more flexible.



# DEMO



# Size Charts



## Specifications

SKU	61410
Product Dimensions	108x52x3mm (4.25x2.05x0.12 inch)
Net Weight	16g (0.56oz)
Color	Blue



<https://store.makeblock.com/plate-135-8-8-18>