



Chipsmall Limited consists of a professional team with an average of over 10 year of expertise in the distribution of electronic components. Based in Hongkong, we have already established firm and mutual-benefit business relationships with customers from,Europe,America and south Asia,supplying obsolete and hard-to-find components to meet their specific needs.

With the principle of “Quality Parts,Customers Priority,Honest Operation,and Considerate Service”,our business mainly focus on the distribution of electronic components. Line cards we deal with include Microchip,ALPS,ROHM,Xilinx,Pulse,ON,Everlight and Freescale. Main products comprise IC,Modules,Potentiometer,IC Socket,Relay,Connector.Our parts cover such applications as commercial,industrial, and automotives areas.

We are looking forward to setting up business relationship with you and hope to provide you with the best service and solution. Let us make a better world for our industry!



Contact us

Tel: +86-755-8981 8866 Fax: +86-755-8427 6832

Email & Skype: info@chipsmall.com Web: www.chipsmall.com

Address: A1208, Overseas Decoration Building, #122 Zhenhua RD., Futian, Shenzhen, China

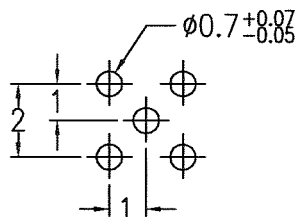
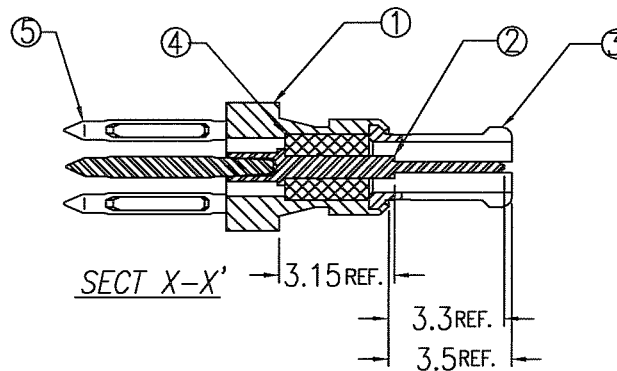


PRODUCT NUMBER

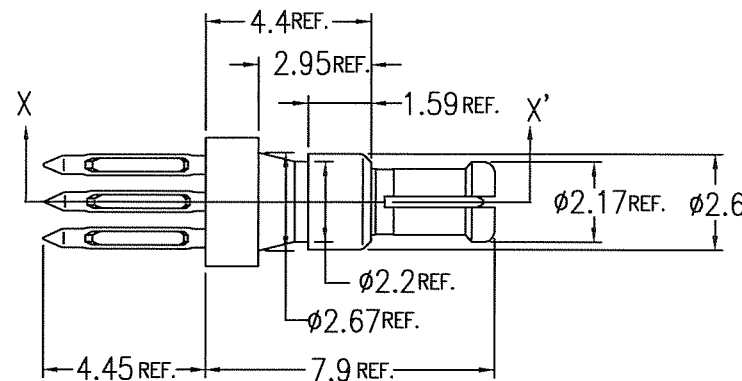
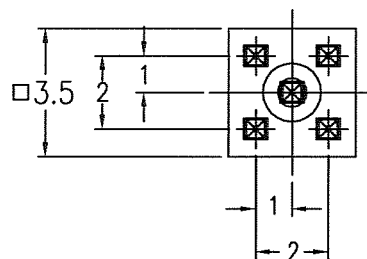
61428-001

61428-001LF

No.	DESCRIPTION	MATERIAL	FINISH	
			61428-001	61428-001LF
1	SHELL	BRASS	Au 0.05um MIN.	Au 0.05um MIN.
2	INNER CONTACT	BERYLLIUM COPPER	Au 1.27um MIN.	Au 1.27um MIN.
3	OUTER CONTACT	BERYLLIUM COPPER	Au 1.27um MIN.	Au 1.27um MIN.
4	INSULATOR	PTFE		
5	P.F. MALE PIN	PHOSPHER BRONZE	SnPb 0.50-1.5um	Sn 0.50-1.5um



RECOMMENDED PCB LAYOUT
(TOLERANCES UNLESS OTHERWISE SPECIFIED ±0.1)



NOTE

- FOR LEAD FREE P/N, THE PRODUCT MEET EUROPEAN UNION DIRECTIVES AND OTHER COUNTRY REGULATIONS AS DESCRIBED IN GS-22-008
- THE HOUSING WILL WITHSTAND EXPOSURE TO 260°C PEAK TEMPERATURE FOR 10 SECONDS IN A CONVECTION, INFRA-RED OR VAPOR PHASE REFLOW OVEN

mat'l. code				surface ISO 1302		tolerance ISO 406 ISO 1101		projection		product family METRAL		CODE JP	
---				tolerances unless otherwise specified		linear		MM		title		METRAL MINI COAX	
A RELEASED J80432 YK 10/26/'98				angles		0.X ±0.2		scale 5:1		title		MALE PRESS-FIT TO B.P.	
B REVISED J10260 YK 3/30/'01				0'±3'		0.XX ±0.2		FCI		dwg no		sheet 1 of 1 size	
C REVISED J05-0664 T.S 10/21/'05				dr		0.XXX ±0.2		type		61428		A4	
D REVISED J07-0030 SJ 1/18/'07				dr		T.SUKEKAWA 10/21/'05		Customer Drawing		Rev.		D	
sheet index				revision sheet		engr S.OKUDAIRA 1/18/'07		Chr R. Shouji 1/18/'07		appd S. Odaira 1/18/'07			