



Chipsmall Limited consists of a professional team with an average of over 10 year of expertise in the distribution of electronic components. Based in Hongkong, we have already established firm and mutual-benefit business relationships with customers from,Europe,America and south Asia,supplying obsolete and hard-to-find components to meet their specific needs.

With the principle of “Quality Parts,Customers Priority,Honest Operation,and Considerate Service”,our business mainly focus on the distribution of electronic components. Line cards we deal with include Microchip,ALPS,ROHM,Xilinx,Pulse,ON,Everlight and Freescale. Main products comprise IC,Modules,Potentiometer,IC Socket,Relay,Connector.Our parts cover such applications as commercial,industrial, and automotives areas.

We are looking forward to setting up business relationship with you and hope to provide you with the best service and solution. Let us make a better world for our industry!



Contact us

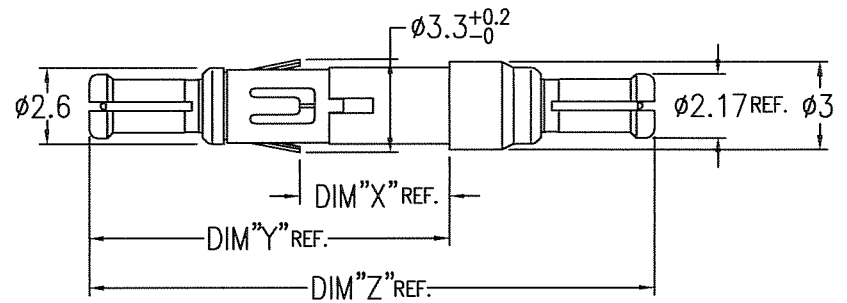
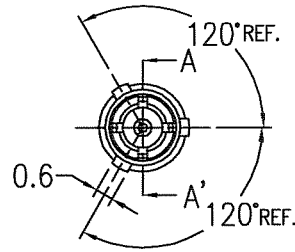
Tel: +86-755-8981 8866 Fax: +86-755-8427 6832

Email & Skype: info@chipsmall.com Web: www.chipsmall.com

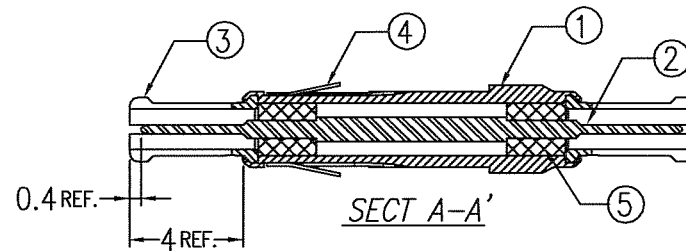
Address: A1208, Overseas Decoration Building, #122 Zhenhua RD., Futian, Shenzhen, China



	DIM"X"	DIM"Y"	DIM"Z"	PCB THICKNESS
61439-001	5.05	12.5	20	3.2mm
-001LF				
-002	4.25	11.7	19.2	2.4mm
-002LF				
-003	4.55	11.8	18.8	2.7mm MAX.
-003LF				
-004	5.35	12.6	19.6	3.5mm MAX.
-004LF				
-005	6.1	13.35	20.35	4±0.25 mm
-005LF				



No.	DESCRIPTION	MATERIAL	FINISH
1	SHELL	BRASS	Au 0.05um MIN.
2	INNER CONTACT	BERYLLIUM COPPER	Au 1.27um MIN.
3	OUTER CONTACT	BERYLLIUM COPPER	Au 1.27um MIN.
4	SPRING CLIP	BERYLLIUM COPPER	Ni 1.27um MIN.
5	INSULATOR	PTFE	



NOTE
 1. FOR LEAD FREE P/N, THE PRODUCT MEET EUROPEAN UNION DIRECTIVES AND OTHER COUNTRY REGULATIONS AS DESCRIBED IN GS-22-008
 2. THE PRODUCT IS NOT INTENDED TO BE EXPOSED TO A MANUFACTURING SOLDER PROCESS.

mat'l. code				surface		tolerance		projection		product family		CODE	
---				ISO 1302		ISO 406		MM		METRAL		JP	
				tolerances unless otherwise specified						title			
F	REVISED	J90046	YK	2/8/99	angles	linear	0.X	±0.2			METRAL MINI COAX		
G	REVISED	J90084	YK	3/10/99			0.XX	±0.2			MALE W/B COUPLER LONG WIPE TYPE		
H	REVISED	J00063	YK	1/19/00	0'±3'		0.XXX	±0.2	scale	N.S			
J	REVISED	J00296	YK	4/13/00	dr	M.NAGASE		12/5/96			dwg no		sheet 1 of 1 size
K	REVISED	J10309	YK	5/9/01	engr	S.OKUDAIRA		1/18/07			61439		A4
L	REVISED	J05-0665	T.S	10/21/05	chr	R. Shoji		1/18/07			type		Customer Drawing
M	REVISED	J07-0030	SD	1/18/07	appd	P. Anderson		1/18/07					Rev. M
sheet index	revision	M											
	sheet	1											