



Chipsmall Limited consists of a professional team with an average of over 10 year of expertise in the distribution of electronic components. Based in Hongkong, we have already established firm and mutual-benefit business relationships with customers from,Europe,America and south Asia,supplying obsolete and hard-to-find components to meet their specific needs.

With the principle of “Quality Parts,Customers Priority,Honest Operation,and Considerate Service”,our business mainly focus on the distribution of electronic components. Line cards we deal with include Microchip,ALPS,ROHM,Xilinx,Pulse,ON,Everlight and Freescale. Main products comprise IC,Modules,Potentiometer,IC Socket,Relay,Connector.Our parts cover such applications as commercial,industrial, and automotives areas.

We are looking forward to setting up business relationship with you and hope to provide you with the best service and solution. Let us make a better world for our industry!



Contact us

Tel: +86-755-8981 8866 Fax: +86-755-8427 6832

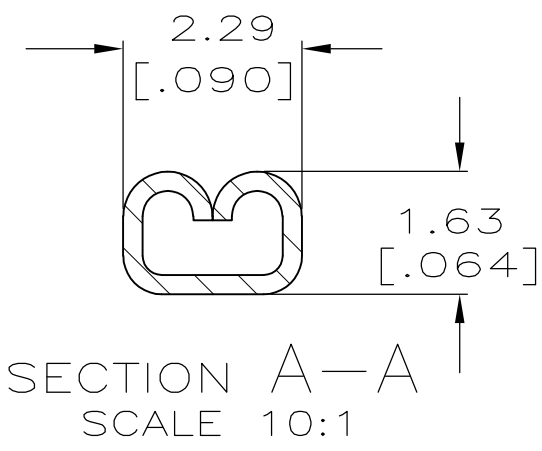
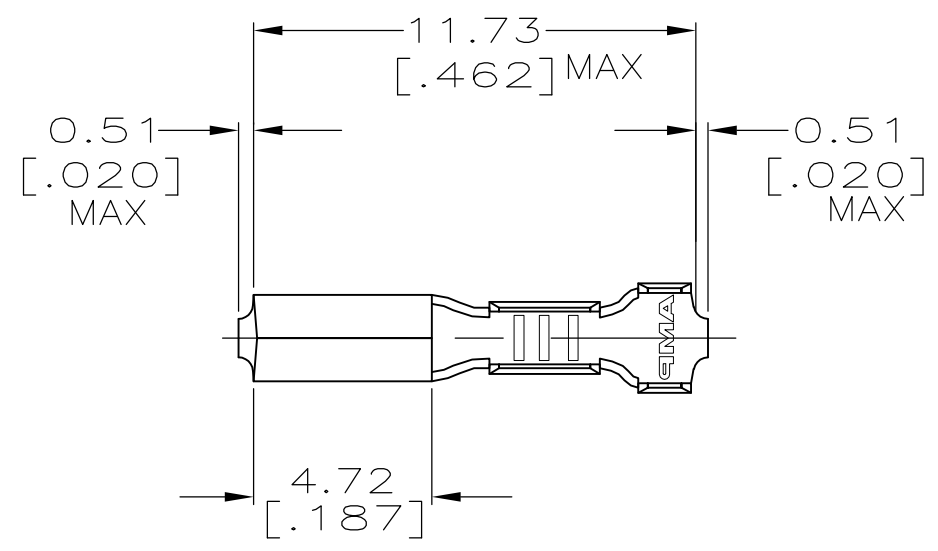
Email & Skype: info@chipsmall.com Web: www.chipsmall.com

Address: A1208, Overseas Decoration Building, #122 Zhenhua RD., Futian, Shenzhen, China

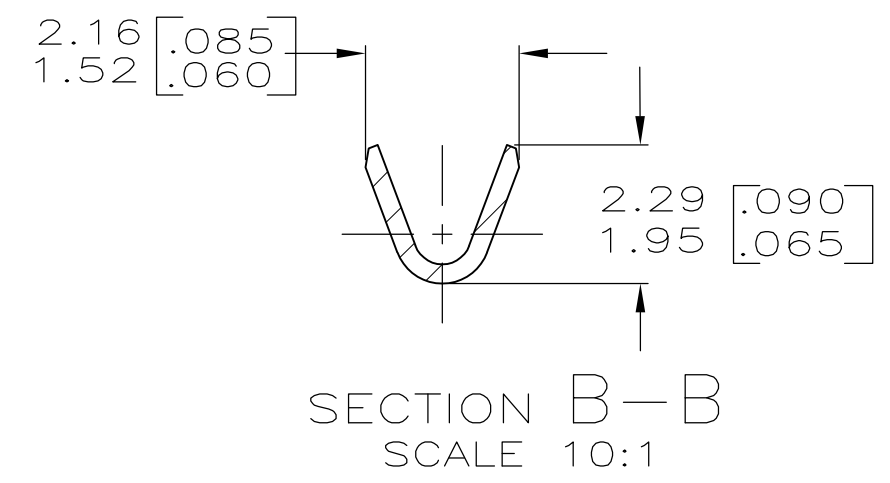
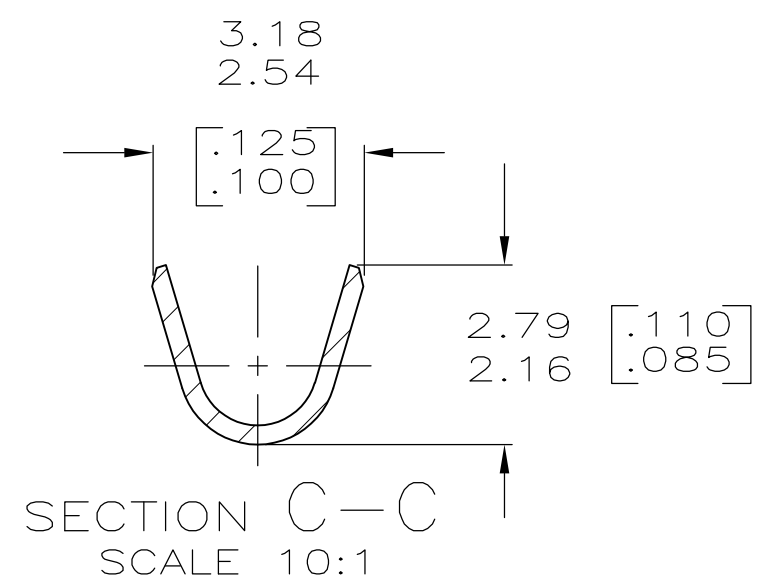
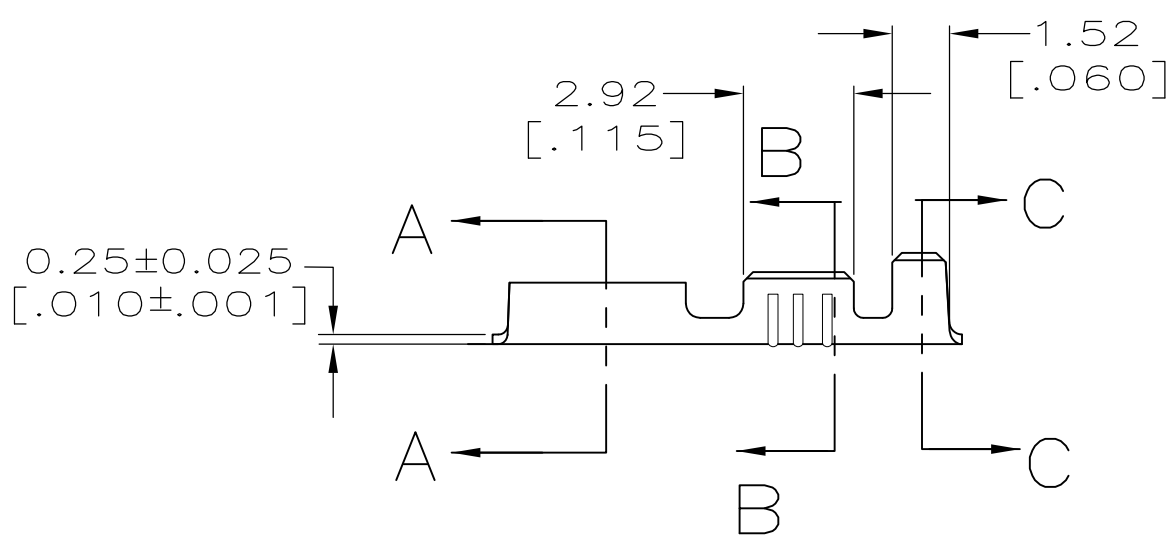


THIS DRAWING IS UNPUBLISHED. RELEASED FOR PUBLICATION
 © COPYRIGHT - By - ALL RIGHTS RESERVED.

LOC	DIST	REVISIONS					
AF	50	P	LTR	DESCRIPTION	DATE	DWN	APVD
		B		REVISED PER ECR-12-013459	28NOV2012	KH	PD



- 1 SUPPLIED IN LOOSE PIECE.
- 2 MATING TAB SIZE IS 0.79±0.025 BY 1.57 [.031±.001 BY .062].
- 3 WIRE SIZE IS [#24-#20] AWG.
- 4 INSULATION RANGE IS 1.02-2.03 [.040-.080] DIA.



60900-1	61454-1
SRTIP NO.	PART NO.

THIS DRAWING IS A CONTROLLED DOCUMENT.		DWN	JR RUTH	8/12/97	STE TE Connectivity													
DIMENSIONS: mm [INCHES]		CHK	MS FEHER	8/12/97														
TOLERANCES UNLESS OTHERWISE SPECIFIED:		APVD	J HUZVAR	8/12/97	NAME													
<table border="0"> <tr><td>0 PLC</td><td>± -</td></tr> <tr><td>1 PLC</td><td>± -</td></tr> <tr><td>2 PLC</td><td>± 0.25 [.010]</td></tr> <tr><td>3 PLC</td><td>± -</td></tr> <tr><td>4 PLC</td><td>± -</td></tr> <tr><td>ANGLES</td><td>± -</td></tr> </table>		0 PLC	± -	1 PLC	± -	2 PLC	± 0.25 [.010]	3 PLC	± -	4 PLC	± -	ANGLES	± -	PRODUCT SPEC		RECEPTACLE, TAB, WRAP TYPE		
0 PLC	± -																	
1 PLC	± -																	
2 PLC	± 0.25 [.010]																	
3 PLC	± -																	
4 PLC	± -																	
ANGLES	± -																	
MATERIAL BRASS		FINISH 0.002032 [.000080] MIN TIN		APPLICATION SPEC		SIZE	CAGE CODE	DRAWING NO	RESTRICTED TO									
CUSTOMER DRAWING				WEIGHT		A3 00779		C-61454										
				SCALE		SHEET		REV										
				5:1		1 OF 1		B										