



Chipsmall Limited consists of a professional team with an average of over 10 year of expertise in the distribution of electronic components. Based in Hongkong, we have already established firm and mutual-benefit business relationships with customers from,Europe,America and south Asia,supplying obsolete and hard-to-find components to meet their specific needs.

With the principle of “Quality Parts,Customers Priority,Honest Operation,and Considerate Service”,our business mainly focus on the distribution of electronic components. Line cards we deal with include Microchip,ALPS,ROHM,Xilinx,Pulse,ON,Everlight and Freescale. Main products comprise IC,Modules,Potentiometer,IC Socket,Relay,Connector.Our parts cover such applications as commercial,industrial, and automotives areas.

We are looking forward to setting up business relationship with you and hope to provide you with the best service and solution. Let us make a better world for our industry!



Contact us

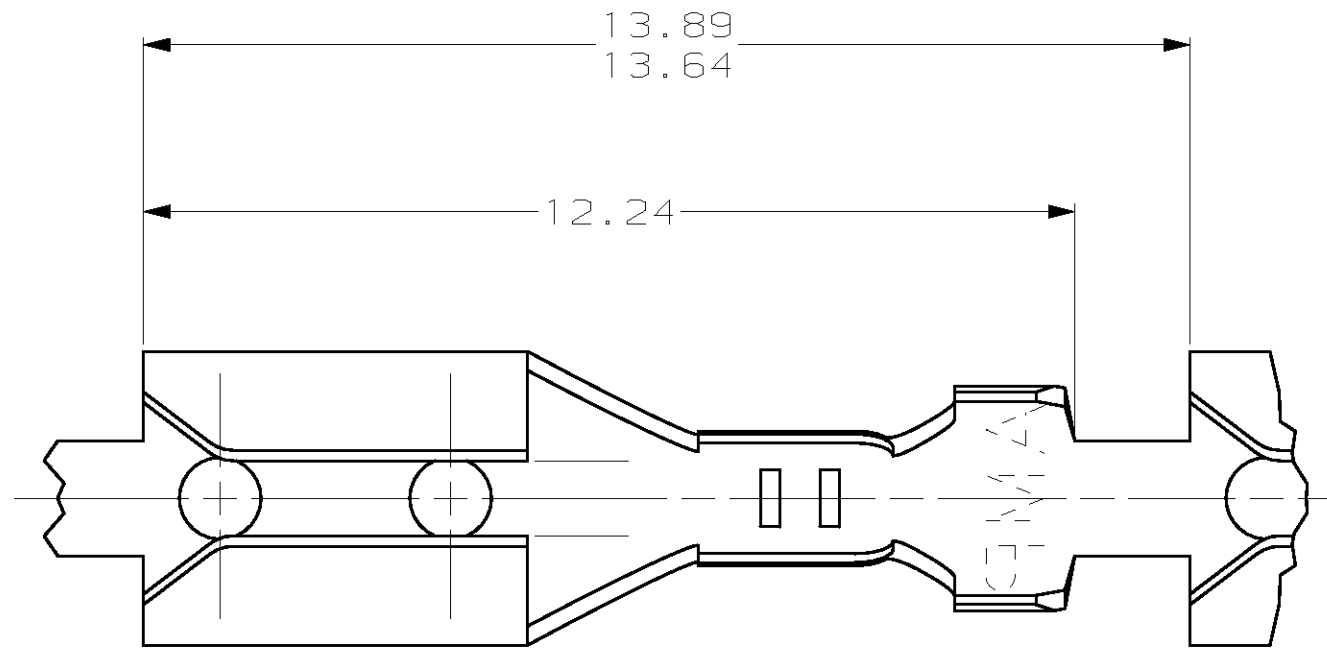
Tel: +86-755-8981 8866 Fax: +86-755-8427 6832

Email & Skype: info@chipsmall.com Web: www.chipsmall.com

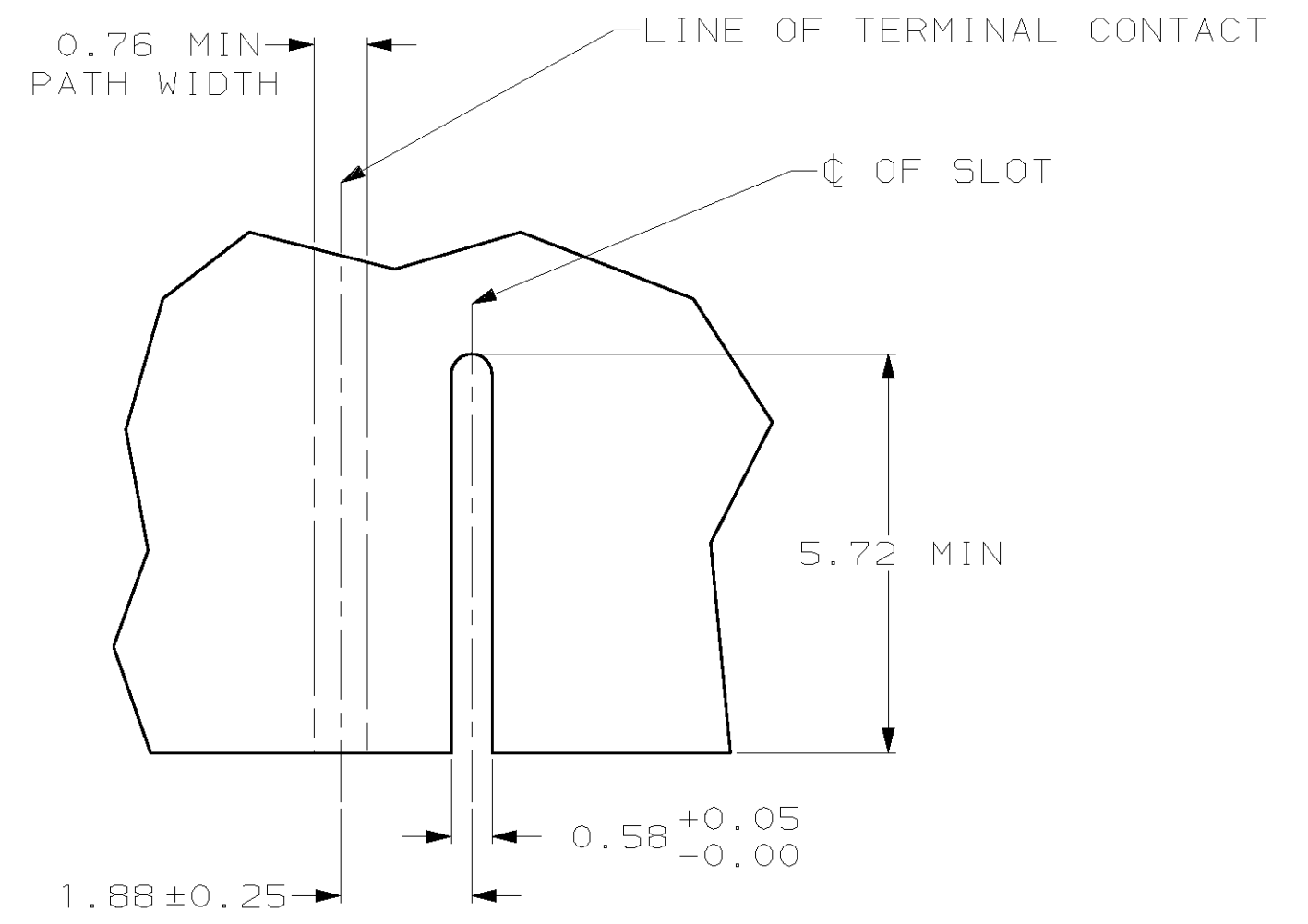
Address: A1208, Overseas Decoration Building, #122 Zhenhua RD., Futian, Shenzhen, China



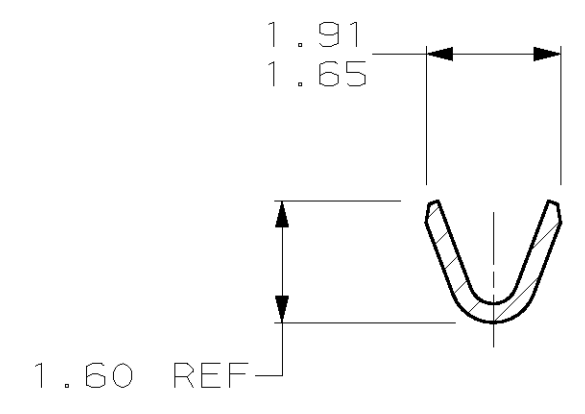
LOC		DIST		REVISIONS			
P	LTR	DESCRIPTION	DATE	DWN	APVD		
CM	52	G	REV PER EC	0L30-0117-97	6-9-97	JH	RS



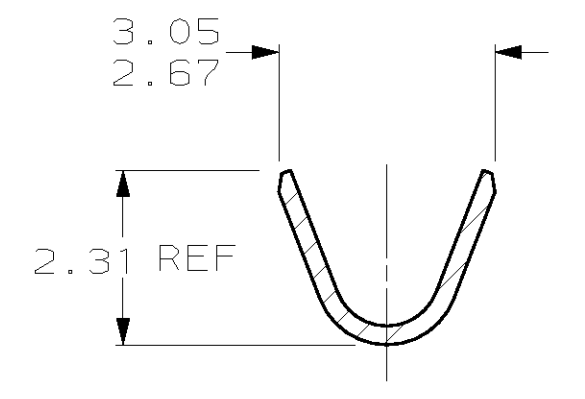
1. WIRE RANGE: 0.3 - 0.05 MM² (30 - 22 AWG)
2. INSULATION RANGE: 1.91 MAX



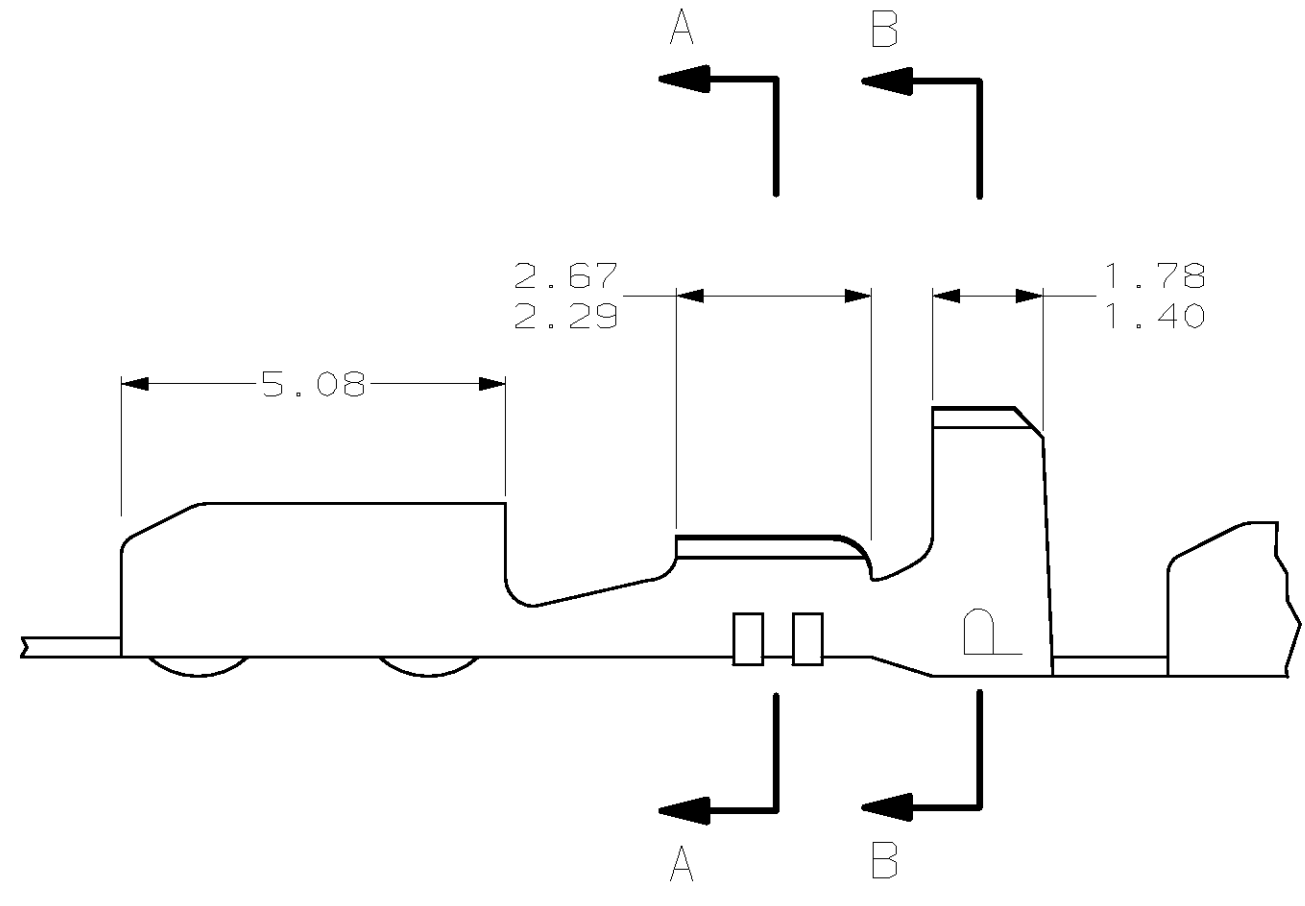
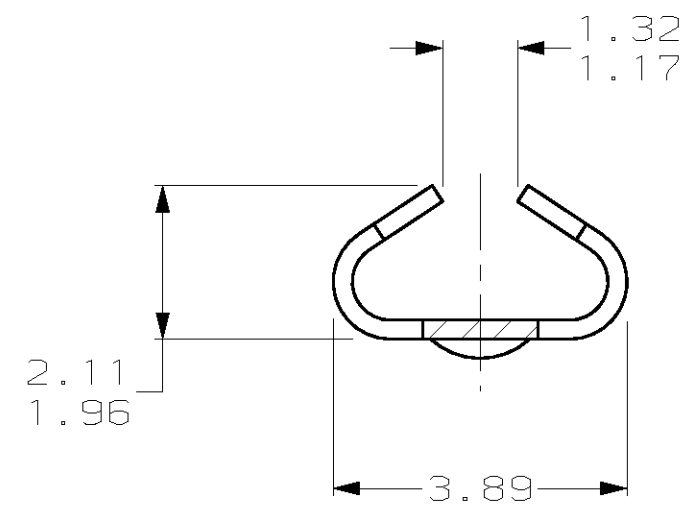
RECOMMENDED CUT OUT FOR 1.57 MAX THICK PANEL



SECTION A-A



SECTION B-B



MM	IN	MM	IN	MM	IN	MM	IN
1.32	.052	1.96	.077	5.08	.200	-	-
1.17	.046	1.91	.075	3.89	.153	-	-
0.76	.030	1.88	.074	3.05	.120	-	-
0.58	.023	1.78	.070	2.67	.105	-	-
0.25	.010	1.65	.065	2.51	.099	13.89	.547
0.13	.005	1.60	.063	2.31	.091	13.64	.537
0.05	.002	1.57	.062	2.29	.090	12.24	.482
0.00	.000	1.40	.055	2.11	.083	5.72	.225
MM	IN	MM	IN	MM	IN	MM	IN

CONVERSION TABLE

METRIC

61455-2
PART NUMBER

THIS DRAWING IS A CONTROLLED DOCUMENT.		DWN	T. BECK	3-10-97
DIMENSIONS: mm		CHK	R. SWING	3-10-97
TOLERANCES UNLESS OTHERWISE SPECIFIED:		APVD	A. BEDDICK	5-16-97
0 PLC	±	NAME		
1 PLC	±	AMP Incorporated		
2 PLC	±0.13	Harrisburg, PA 17105-3608		
3 PLC	±	AMP		
4 PLC	±	TERMINAL, 30-22 AWG, .075 MAX INSULATION, AMP-EDGE™		
MATERIAL	2.51 PH BRZ	FINISH	MATTE TIN	SIZE
CUSTOMER DRAWING		SCALE	10:1	CAGE CODE
		SHEET	1 OF 1	DRAWING NO
		REV	G	RESTRICTED TO