



Chipsmall Limited consists of a professional team with an average of over 10 year of expertise in the distribution of electronic components. Based in Hongkong, we have already established firm and mutual-benefit business relationships with customers from,Europe,America and south Asia,supplying obsolete and hard-to-find components to meet their specific needs.

With the principle of “Quality Parts,Customers Priority,Honest Operation,and Considerate Service”,our business mainly focus on the distribution of electronic components. Line cards we deal with include Microchip,ALPS,ROHM,Xilinx,Pulse,ON,Everlight and Freescale. Main products comprise IC,Modules,Potentiometer,IC Socket,Relay,Connector.Our parts cover such applications as commercial,industrial, and automotives areas.

We are looking forward to setting up business relationship with you and hope to provide you with the best service and solution. Let us make a better world for our industry!



Contact us

Tel: +86-755-8981 8866 Fax: +86-755-8427 6832

Email & Skype: info@chipsmall.com Web: www.chipsmall.com

Address: A1208, Overseas Decoration Building, #122 Zhenhua RD., Futian, Shenzhen, China



THIS DRAWING IS UNPUBLISHED.

RELEASED FOR PUBLICATION

ALL RIGHTS RESERVED.

© COPYRIGHT - By -

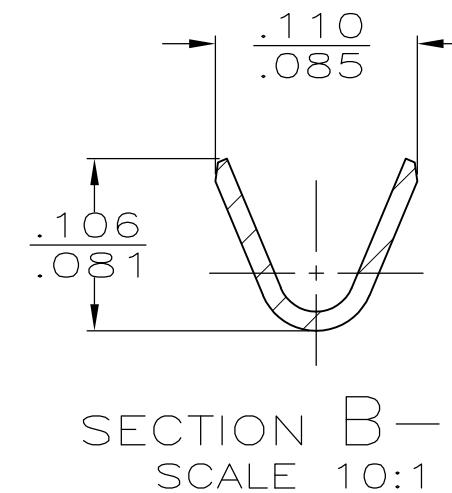
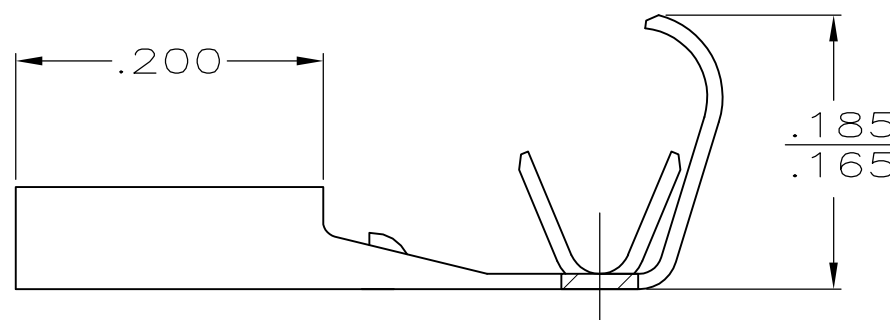
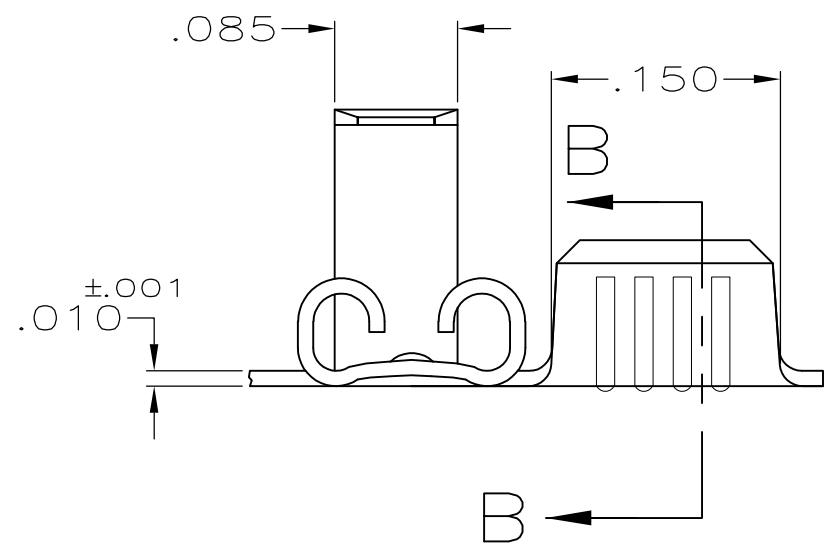
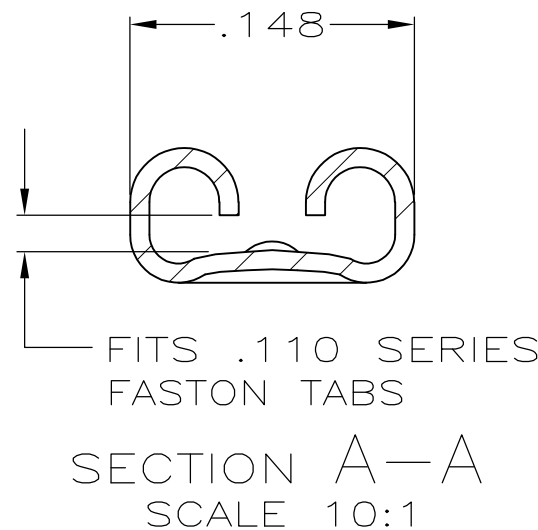
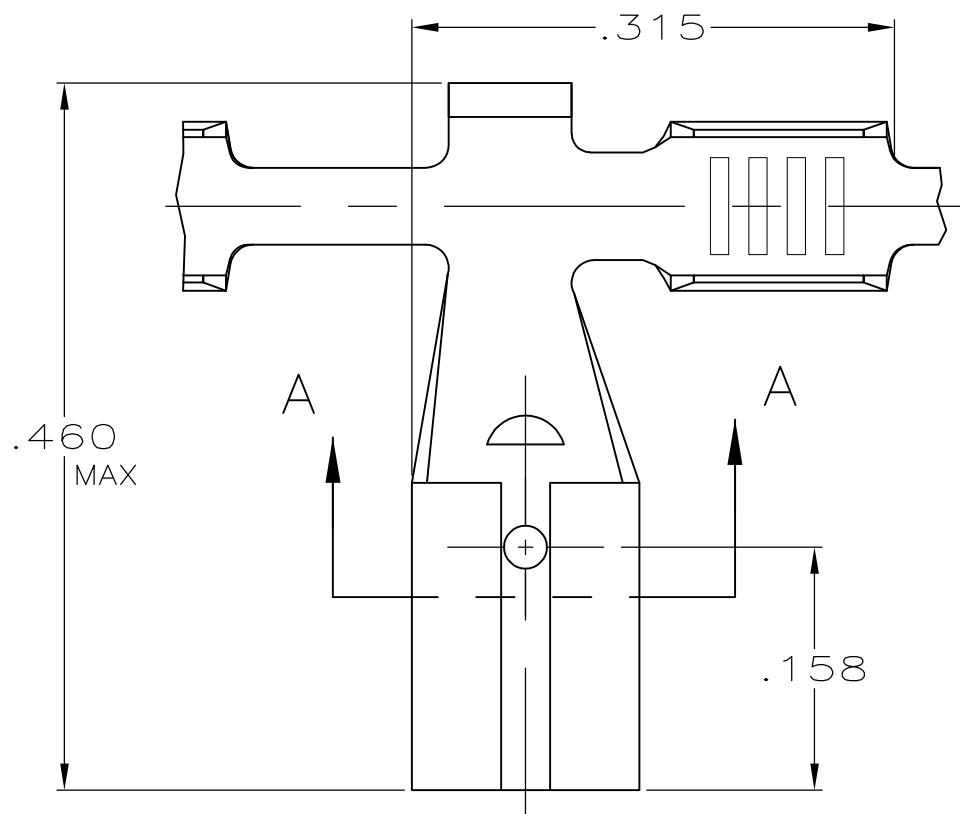
LOC
AF

DIST
50


REVISIONS

P	LTR	DESCRIPTION	DATE	DWN	APVD
C		REVISED PER ECR-12-013459	28NOV2012	KH	PD

1 CONTINUOUS STRIP ON REELS



.065-.100 DIA	22-18 AWG	.016	61459-1
INSULATION RANGE	WIRE SIZE	MATING TAB THK ±.001	PART NO.

THIS DRAWING IS A CONTROLLED DOCUMENT.		DWN JR RUTH 4/24/91	 TE Connectivity RECEPTACLE, FASTON, FLAG, .110 SERIES				
DIMENSIONS: INCHES		CHK MS FEHER 4/24/91				NAME	
TOLERANCES UNLESS OTHERWISE SPECIFIED:		APVD C MEYERS 4/24/91				PRODUCT SPEC	
0 PLC ± - 1 PLC ± - 2 PLC ± - 3 PLC ± .015 4 PLC ± - ANGLES ± -		APPLICATION SPEC					
MATERIAL BRASS		FINISH PRE-TIN	WEIGHT -	SIZE A3	CAGE CODE 00779		
CUSTOMER DRAWING			DRAWING NO C-61459	RESTRICTED TO -			
			SCALE 8:1	SHEET 1 OF 1	REV C		