



Chipsmall Limited consists of a professional team with an average of over 10 year of expertise in the distribution of electronic components. Based in Hongkong, we have already established firm and mutual-benefit business relationships with customers from,Europe,America and south Asia,supplying obsolete and hard-to-find components to meet their specific needs.

With the principle of “Quality Parts,Customers Priority,Honest Operation,and Considerate Service”,our business mainly focus on the distribution of electronic components. Line cards we deal with include Microchip,ALPS,ROHM,Xilinx,Pulse,ON,Everlight and Freescale. Main products comprise IC,Modules,Potentiometer,IC Socket,Relay,Connector.Our parts cover such applications as commercial,industrial, and automotives areas.

We are looking forward to setting up business relationship with you and hope to provide you with the best service and solution. Let us make a better world for our industry!



Contact us

Tel: +86-755-8981 8866 Fax: +86-755-8427 6832

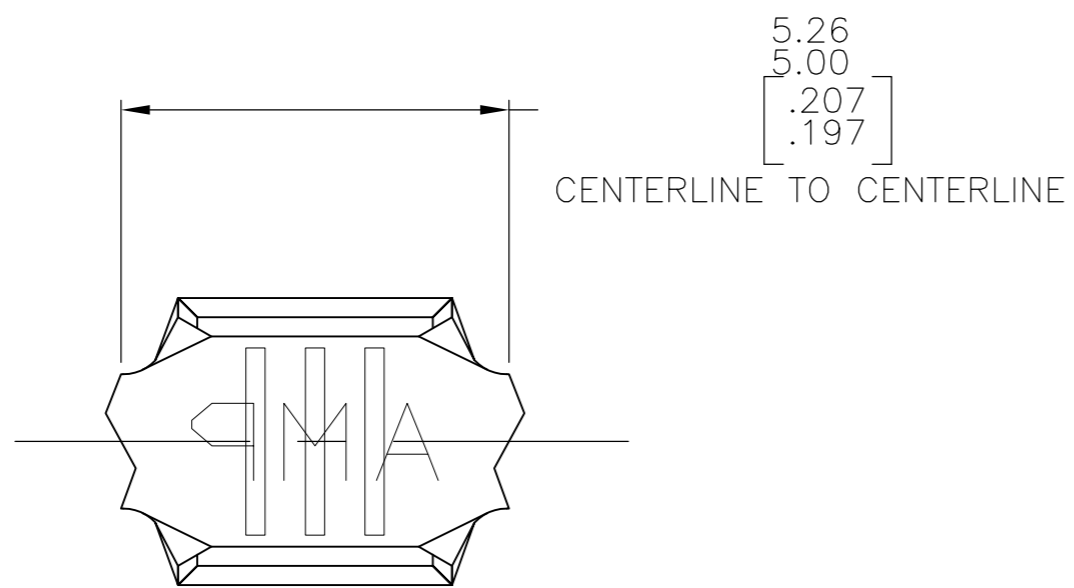
Email & Skype: info@chipsmall.com Web: www.chipsmall.com

Address: A1208, Overseas Decoration Building, #122 Zhenhua RD., Futian, Shenzhen, China

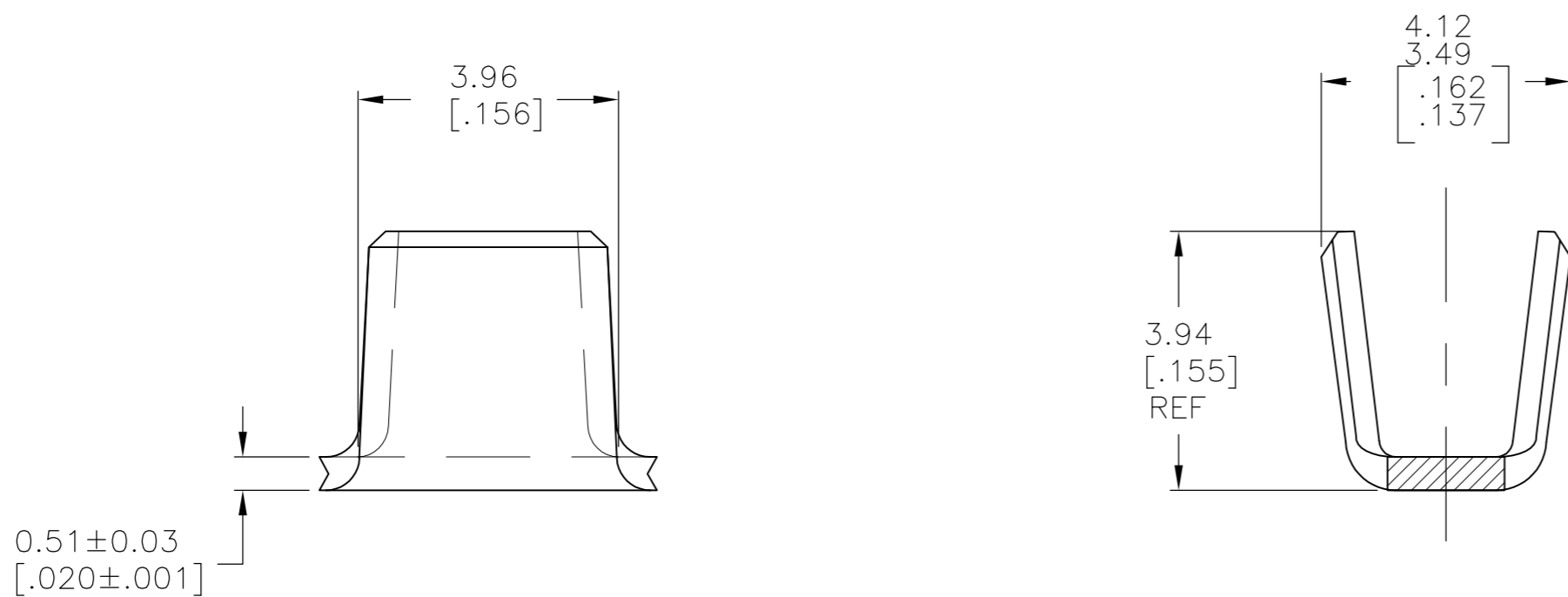


THIS DRAWING IS UNPUBLISHED. RELEASED FOR PUBLICATION
 © COPYRIGHT - By - ALL RIGHTS RESERVED.

LOC	DIST	REVISIONS			
P	LTR	DESCRIPTION	DATE	DWN	APVD
AF	50	K3	REVISED PER ECR-11-006644	05APR11	HMR GJ



- 1 CONTINUOUS STRIP ON REELS.
- 2 TIN PLATE OVER COPPER UNDERPLATE.
- 3 WIRE RANGE FOR NEW APPLICATIONS: 1.27-2.38mm²[2500-4700 CMA]
(WIRE RANGE APPROVED FOR APPLICATIONS IMPLEMENTED PRIOR TO 2005: 2000-5300 CMA).
- 4 OBSOLETE PARTS: OBSOLETE CIS STREAMLINING PER D.RENAUD/D.SINISI
- 5 CRIMP WIDTH: 3.05[.120] F TYPE. CRIMP HEIGHT IN INCHES (+/- .002) = (TOTAL CMA OF WIRES + 12240) / 220000.



FINISH	MATERIAL	WIRE RANGE	PART NUMBER
-	H02 COPPER NICKEL	3	61492-3
2	082 BRASS	3	61492-2
-	082 BRASS	3	61492-1

THIS DRAWING IS A CONTROLLED DOCUMENT.		DWN MICHAEL S. FEHER 06MAR2000	STE TE Connectivity	
DIMENSIONS: mm [INCHES]		CHK STEVE HEADER 06MAR2000		
TOLERANCES UNLESS OTHERWISE SPECIFIED:		APVD STEVE HEADER 06MAR2000	NAME SPLICE	
0 PLC ± - 1 PLC ± - 2 PLC ± 0.25[.010] 3 PLC ± - 4 PLC ± - ANGLES ± -		PRODUCT SPEC -	DRAWING NO 114-2088	
MATERIAL SEE TABLE		FINISH SEE TABLE	SIZE A2	CAGE CODE 00779
		WEIGHT -	DRAWING NO C-61492	RESTRICTED TO -
		CUSTOMER DRAWING		SCALE 10:1
		SHEET 1 of 1		REV K3