



Chipsmall Limited consists of a professional team with an average of over 10 year of expertise in the distribution of electronic components. Based in Hongkong, we have already established firm and mutual-benefit business relationships with customers from,Europe,America and south Asia,supplying obsolete and hard-to-find components to meet their specific needs.

With the principle of “Quality Parts,Customers Priority,Honest Operation,and Considerate Service”,our business mainly focus on the distribution of electronic components. Line cards we deal with include Microchip,ALPS,ROHM,Xilinx,Pulse,ON,Everlight and Freescale. Main products comprise IC,Modules,Potentiometer,IC Socket,Relay,Connector.Our parts cover such applications as commercial,industrial, and automotives areas.

We are looking forward to setting up business relationship with you and hope to provide you with the best service and solution. Let us make a better world for our industry!



## Contact us

Tel: +86-755-8981 8866 Fax: +86-755-8427 6832

Email & Skype: info@chipsmall.com Web: www.chipsmall.com

Address: A1208, Overseas Decoration Building, #122 Zhenhua RD., Futian, Shenzhen, China



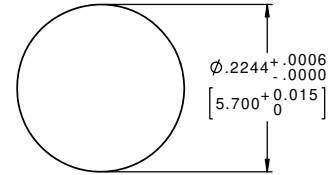
CXA PART NO.	NO. OF POS.
613PCCM	3
614PCCM	4

NOTES:  
 1. FINISHED PRODUCT TO BE PACKAGED 100 PIECES PER PARTITIONED BOX.  
 2. CONNECTOR ASSEMBLY SEALED WITH EPOXY AT PC TAIL END.

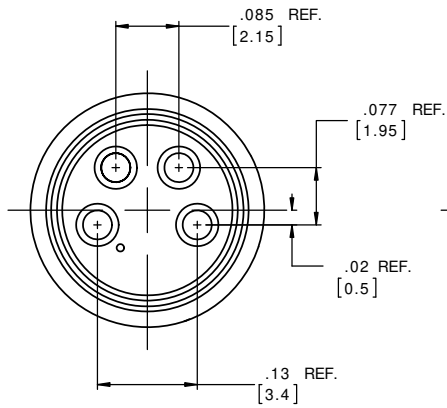
CUSTOMER APPROVAL

THIS DOCUMENT CONTAINS CONFIDENTIAL INFORMATION PROPRIETARY TO CONXALL CORPORATION. ANY REPRODUCTION, DISCLOSURE, OR USE OF THIS DOCUMENT / INFORMATION IS EXPRESSLY PROHIBITED UNLESS AUTHORIZED IN WRITING BY CONXALL CORPORATION.

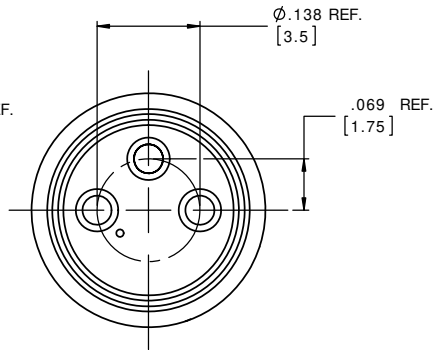
APPROVED BY: \_\_\_\_\_  
 DATE: \_\_\_\_\_



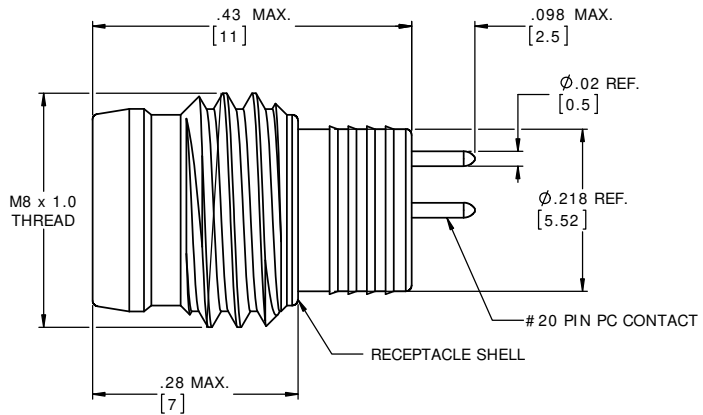
**PANEL CUT-OUT**



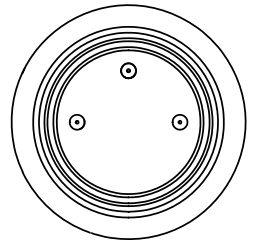
**MATING FACE**  
4 POSITIONS



**MATING FACE**  
3 POSITIONS



RECEPTACLE SHELL



**P.C. TAIL END**

**PROPRIETARY**

THIS DOCUMENT CONTAINS CONFIDENTIAL INFORMATION PROPRIETARY TO CONXALL CORPORATION. ANY REPRODUCTION, DISCLOSURE, OR USE OF THIS DOCUMENT / INFORMATION IS EXPRESSLY PROHIBITED UNLESS AUTHORIZED IN WRITING BY CONXALL CORPORATION.

DIMENSIONS INCHES [MM]

**RoHS COMPLIANT**

B	AB	08-09-16	UPDATED MANUFACTURING NOTES PER ECR 9070.
A	AB	03-16-16	DRAWING CREATED PER DOR 10-2500JS-2
REV.	INT.	DATE	DESCRIPTION
ORIG. DRAWN BY: CLT		DATE: 07-01-12	
CHECKED BY:			
APPROVED BY:		TITLE: MALE RECEPTACLE, M8 THREAD STYLE CM (SHORT) NANO-MIZER	
SCALE: NTS	SIZE: B	SHEET: 1 OF 1	CUSTOMER: STANDARD PRODUCT
FILE: SAME AS P/N	DIRECTORY: SLW	PART NUMBER: 61XPCCM FAM	REV: B



601 E. WILDWOOD VILLA PARK, IL 60181