



Chipsmall Limited consists of a professional team with an average of over 10 year of expertise in the distribution of electronic components. Based in Hongkong, we have already established firm and mutual-benefit business relationships with customers from,Europe,America and south Asia,supplying obsolete and hard-to-find components to meet their specific needs.

With the principle of “Quality Parts,Customers Priority,Honest Operation,and Considerate Service”,our business mainly focus on the distribution of electronic components. Line cards we deal with include Microchip,ALPS,ROHM,Xilinx,Pulse,ON,Everlight and Freescale. Main products comprise IC,Modules,Potentiometer,IC Socket,Relay,Connector.Our parts cover such applications as commercial,industrial, and automotives areas.

We are looking forward to setting up business relationship with you and hope to provide you with the best service and solution. Let us make a better world for our industry!



Contact us

Tel: +86-755-8981 8866 Fax: +86-755-8427 6832

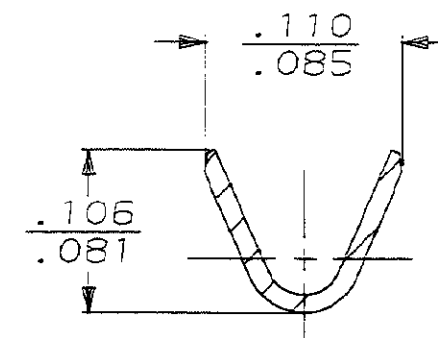
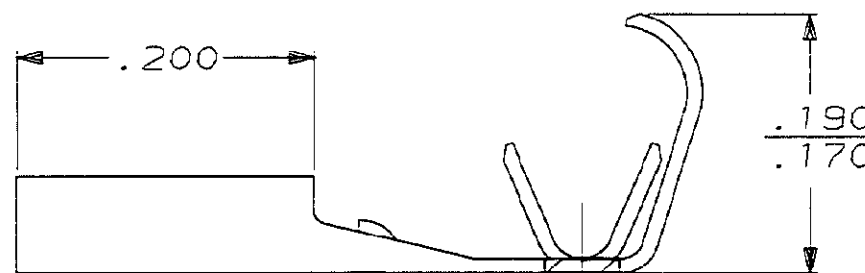
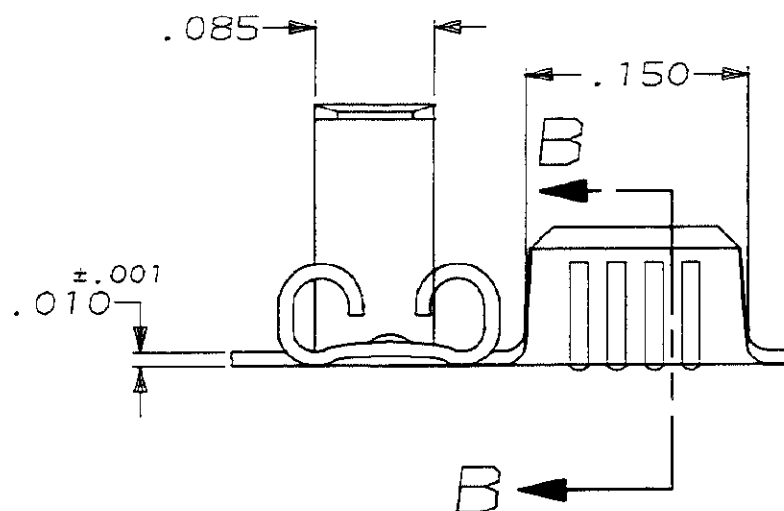
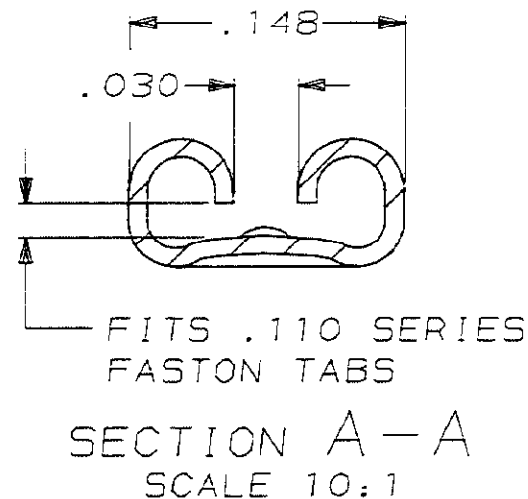
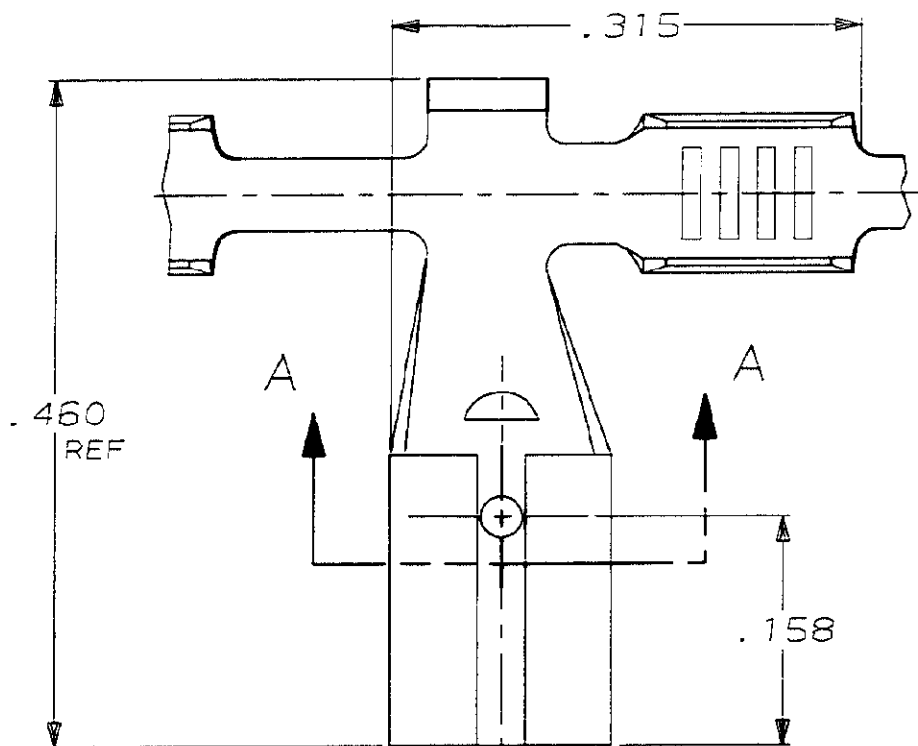
Email & Skype: info@chipsmall.com Web: www.chipsmall.com

Address: A1208, Overseas Decoration Building, #122 Zhenhua RD., Futian, Shenzhen, China



LOC	DIST	P	F	REVISIONS			
ZONE	LTR	DESCRIPTION	DATE	APPD			
AF	50			E	REVISED AF-7794	1/28/92	JR

- 1 CONTINUOUS STRIP ON REELS
- 2 FEED TO BE .430±.005



.065-.100 DIA	22-18 AWG	.025	61530-1
INSULATION RANGE	WIRE SIZE	MATING TAB THK ±.001	PART NO
DO NOT SCALE PRINT. UNLESS SPECIFIED. DIMENSIONS ARE IN INCHES. TOLERANCES ON: 2 PLC DEC = - 3 PLC DEC = .015 ANGLES = -	DR 4/24/91 JR RUTH	AMP AMP Incorporated Harrisburg, PA 17105-3608	
	CHK 4/24/91 MS FEHER		
	APPD 4/24/91 C MEYERS	NAME	
	APPD 4/24/91 D REINER	RECEPTACLE, FASTON, FLAG, .110 SERIES	
MATERIAL #4H BRASS	PRODUCT SPEC -	SIZE B	CAGE CODE 00779
FINISH PRE-TIN	APPLICATION SPEC -	SCALE 8:1	DRAWING NO 61530
	WEIGHT -	SHEET	1 OF 1