



Chipsmall Limited consists of a professional team with an average of over 10 year of expertise in the distribution of electronic components. Based in Hongkong, we have already established firm and mutual-benefit business relationships with customers from,Europe,America and south Asia,supplying obsolete and hard-to-find components to meet their specific needs.

With the principle of “Quality Parts,Customers Priority,Honest Operation,and Considerate Service”,our business mainly focus on the distribution of electronic components. Line cards we deal with include Microchip,ALPS,ROHM,Xilinx,Pulse,ON,Everlight and Freescale. Main products comprise IC,Modules,Potentiometer,IC Socket,Relay,Connector.Our parts cover such applications as commercial,industrial, and automotives areas.

We are looking forward to setting up business relationship with you and hope to provide you with the best service and solution. Let us make a better world for our industry!



## Contact us

Tel: +86-755-8981 8866 Fax: +86-755-8427 6832

Email & Skype: info@chipsmall.com Web: www.chipsmall.com

Address: A1208, Overseas Decoration Building, #122 Zhenhua RD., Futian, Shenzhen, China



THIS DRAWING IS UNPUBLISHED.

RELEASED FOR PUBLICATION

ALL RIGHTS RESERVED.

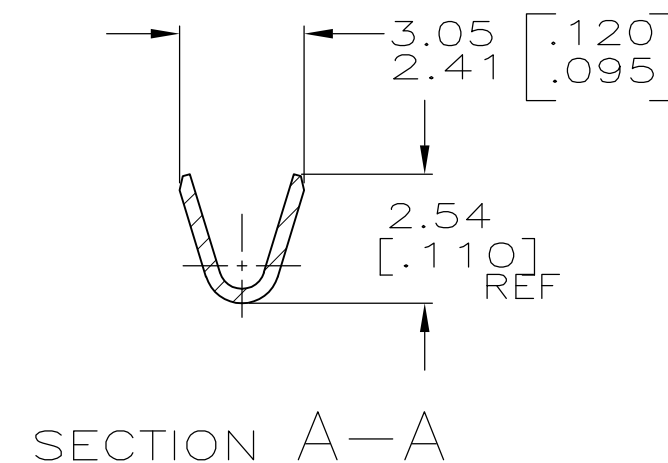
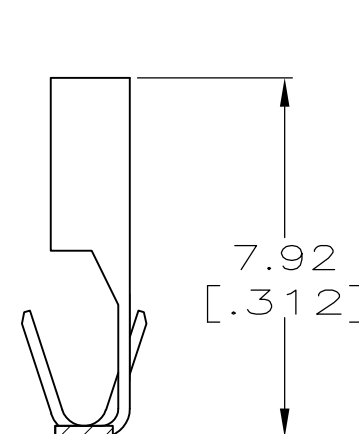
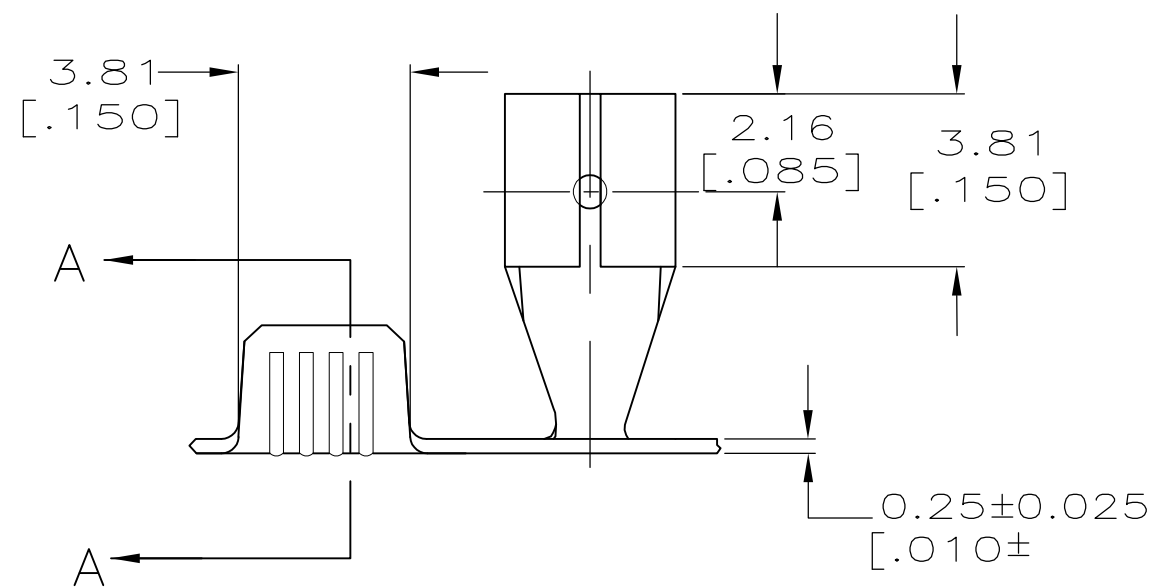
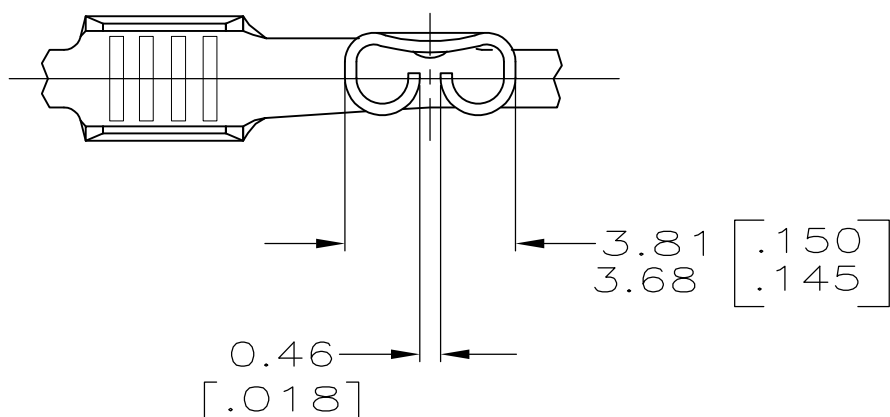
© COPYRIGHT - By -

LOC AF DIST 50

REVISIONS

P	LTR	DESCRIPTION	DATE	DWN	APVD
	J	REVISED PER ECR-12-013459	28NOV2012	KH	PD

1 CONTINUOUS STRIP ON REELS.

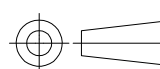


STRIP LENGTH	TYPE	WIDTH	HEIGHT	WIRE
5.59 [.220]	F	1.78 [.070]	1.42 [.056]	16
			1.19 [.047]	18
			1.04 [.041]	20
			0.96 [.038]	22
±0.38 [.015]			±0.051 [.002]	

WIRE BARREL CRIMP

THIS DRAWING IS A CONTROLLED DOCUMENT.

DIMENSIONS:  
mm [INCHES]



TOLERANCES UNLESS OTHERWISE SPECIFIED:


0 PLC	± -
1 PLC	± -
2 PLC	± 0.38 [.015]
3 PLC	± -
4 PLC	± -
ANGLES	± -

MATERIAL

BRASS

FINISH

PRE-TIN

[#22-#16] AWG	0.51±0.025 [.020±.001]	61549-1
WIRE SIZE	MATING TAB THICKNESS	PART NO.
DWN JR RUTH 4/18/96	 <b>TE Connectivity</b> RECEPTACLE, FASTON, 2.79 [.110] SERIES	
CHK MS FEHER 4/18/96		
APVD P DESANTIS 4/18/96		
PRODUCT SPEC		
APPLICATION SPEC	NAME	
114-2028	SIZE	CAGE CODE
WEIGHT	A300779	DRAWING NO
CUSTOMER DRAWING	C-61549	RESTRICTED TO
	SCALE	SHEET
	6:1	1 OF 1
	REV	J