



Chipsmall Limited consists of a professional team with an average of over 10 year of expertise in the distribution of electronic components. Based in Hongkong, we have already established firm and mutual-benefit business relationships with customers from,Europe,America and south Asia,supplying obsolete and hard-to-find components to meet their specific needs.

With the principle of “Quality Parts,Customers Priority,Honest Operation,and Considerate Service”,our business mainly focus on the distribution of electronic components. Line cards we deal with include Microchip,ALPS,ROHM,Xilinx,Pulse,ON,Everlight and Freescale. Main products comprise IC,Modules,Potentiometer,IC Socket,Relay,Connector.Our parts cover such applications as commercial,industrial, and automotives areas.

We are looking forward to setting up business relationship with you and hope to provide you with the best service and solution. Let us make a better world for our industry!



Contact us

Tel: +86-755-8981 8866 Fax: +86-755-8427 6832

Email & Skype: info@chipsmall.com Web: www.chipsmall.com

Address: A1208, Overseas Decoration Building, #122 Zhenhua RD., Futian, Shenzhen, China

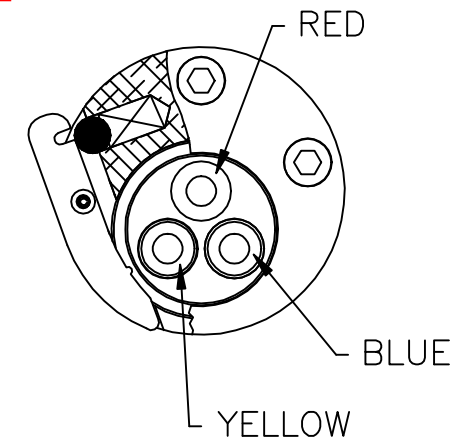
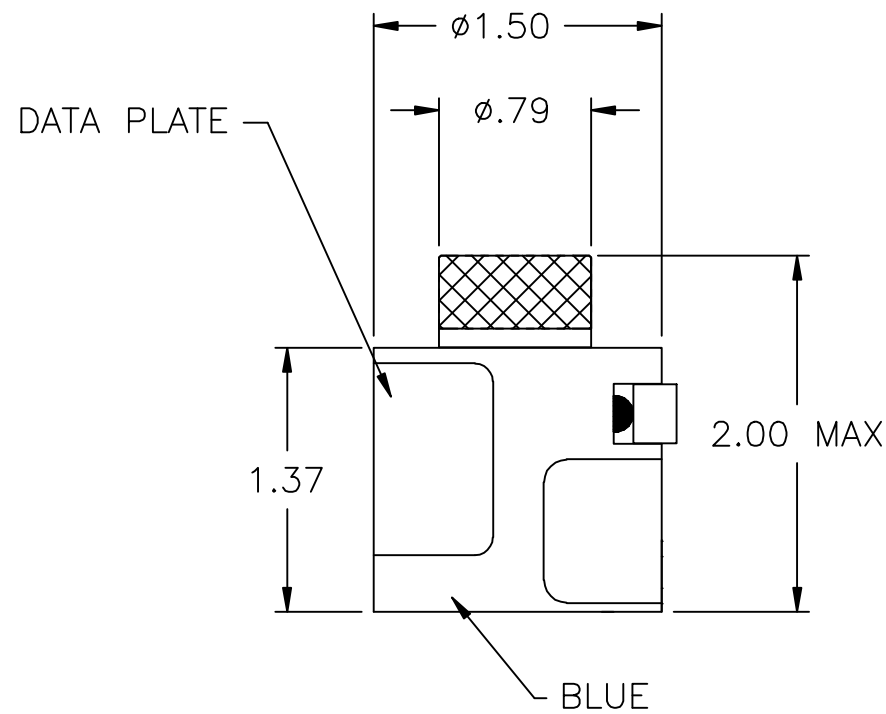


**UNCONTROLLED DOCUMENT
WILL NOT BE UPDATED**

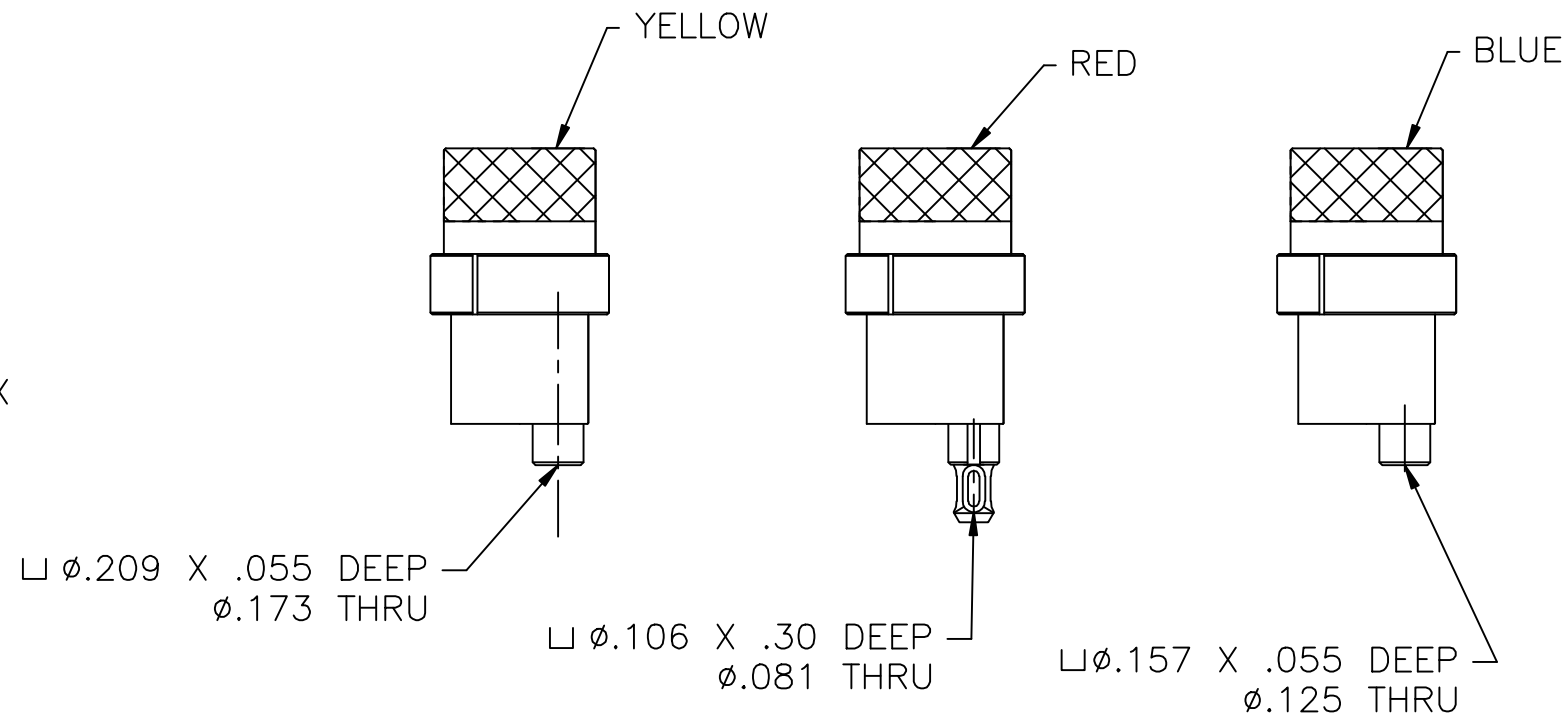
CONTACT	POSITIONER AND MATING END COLOR	26	24	22	20	18	16	14	12	WIRE SIZE
20-20	RED	1	2	3	4					
16-22		1	2	3	4					
16-20*	BLUE	1	2	3	4					
16-16					4	5	6			
12-16					4	5	6	7	8	
12-12	YELLOW									

MS3162 AND 63 MS3192 AND 93 MS18134 AND 36 MS24254 AND 55 MS90453 AND 54
M39029/1, /2, /3, /4, /5, /9, /10, /11, /12
M3723/29, /30, /33, /34 *M39029/1-101 USE RED POSITIONER

DATA PLATE



RANDOM ORDER OF ROTATION IS ACCEPTABLE



TYPICAL CONSTRUCTION
DIAMETERS ARE MEASURED FROM TOP OR FACE OF POSITIONER INSERTS

NOTES: 1. THIS IS AN AUTOCAD DRAWING DO NOT CHANGE MANUALLY.

A NEW RELEASE.					DYO	04-29-15	MMK	<p>THESE DRAWINGS, SPECIFICATIONS OR OTHER DATA ARE AND REMAIN, THE PROPERTY OF ASTRO TOOL CORP. AND MUST BE RETURNED UPON REQUEST. THEY CONTAIN INFORMATION OWNED AND/OR DEVELOPED BY ASTRO AT ITS OWN PRIVATE EXPENSE AND MAY NOT BE USED, DUPLICATED OR DISCLOSED TO OTHERS, IN WHOLE OR IN PART FOR DESIGN, MANUFACTURE OR PROCUREMENT WITHOUT THE WRITTEN PERMISSION OF ASTRO TOOL CORP. EACH AND EVERY TIME.</p>	<p>SCALE: N.T.S.</p> <p>DWN BY: DY0</p> <p>DATE: 04-29-15</p> <p>APPROVED:</p>	<p>UNLESS OTHERWISE SPECIFIED:</p> <p>DECIMALS:</p> <p>.XXX ± .005</p> <p>.XX ± .010</p> <p>.X ± .030</p> <p>ANGLES: ± 1°</p>	<p>ASTRO TOOL CORP.</p> <p>21615 S.W. TUALATIN VALLEY HWY., BEAVERTON OR 97006</p> <p>DESCRIPTION: ENVELOPE DRAWING: 615709 TURRET ASSEMBLY, M22520/1-02</p>	CAGE 58164
REV.	DESCRIPTION	BY	DATE	APR.	PART NO.			B	615709-ENV			