



Chipsmall Limited consists of a professional team with an average of over 10 year of expertise in the distribution of electronic components. Based in Hongkong, we have already established firm and mutual-benefit business relationships with customers from,Europe,America and south Asia,supplying obsolete and hard-to-find components to meet their specific needs.

With the principle of “Quality Parts,Customers Priority,Honest Operation,and Considerate Service”,our business mainly focus on the distribution of electronic components. Line cards we deal with include Microchip,ALPS,ROHM,Xilinx,Pulse,ON,Everlight and Freescale. Main products comprise IC,Modules,Potentiometer,IC Socket,Relay,Connector.Our parts cover such applications as commercial,industrial, and automotives areas.

We are looking forward to setting up business relationship with you and hope to provide you with the best service and solution. Let us make a better world for our industry!



## Contact us

Tel: +86-755-8981 8866 Fax: +86-755-8427 6832

Email & Skype: info@chipsmall.com Web: www.chipsmall.com

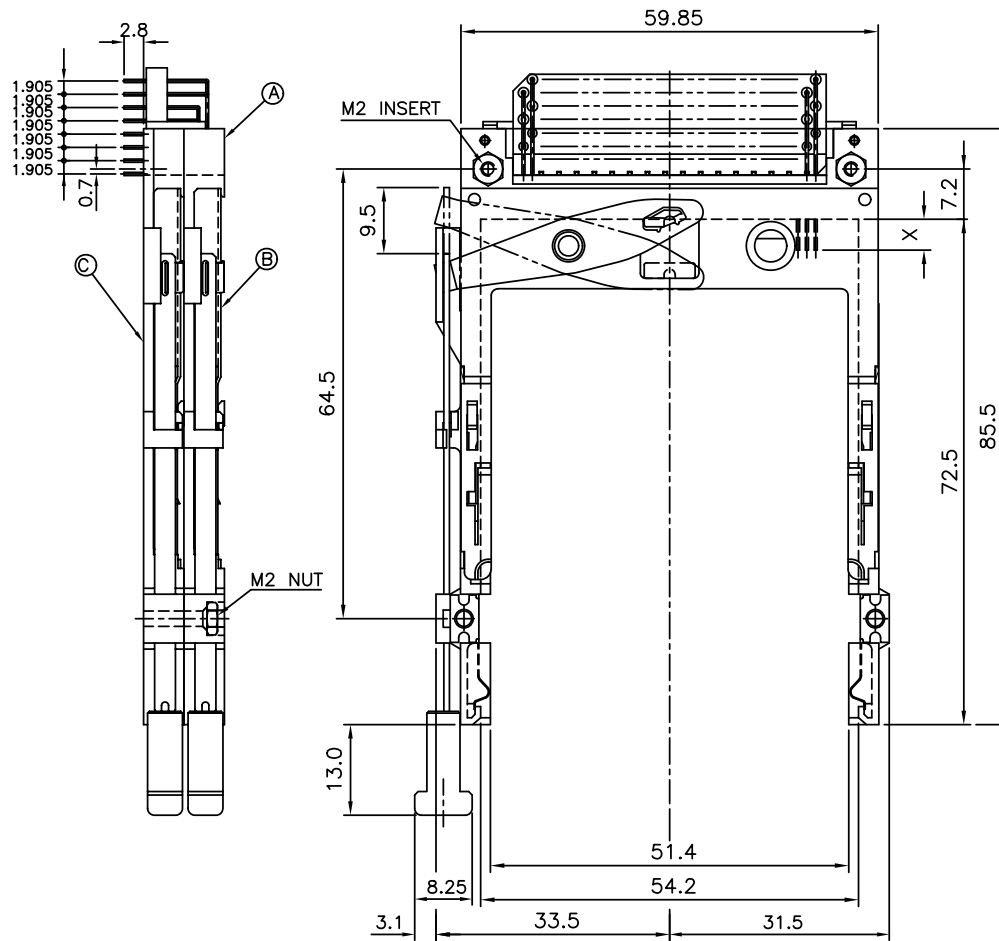
Address: A1208, Overseas Decoration Building, #122 Zhenhua RD., Futian, Shenzhen, China







PRODUCT NO.  
61572-300CA/300CALF

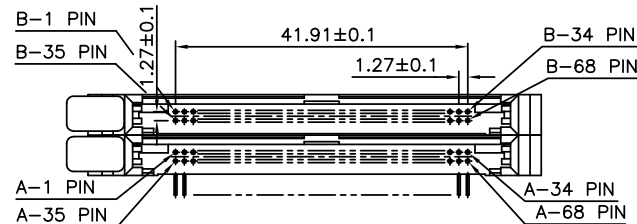
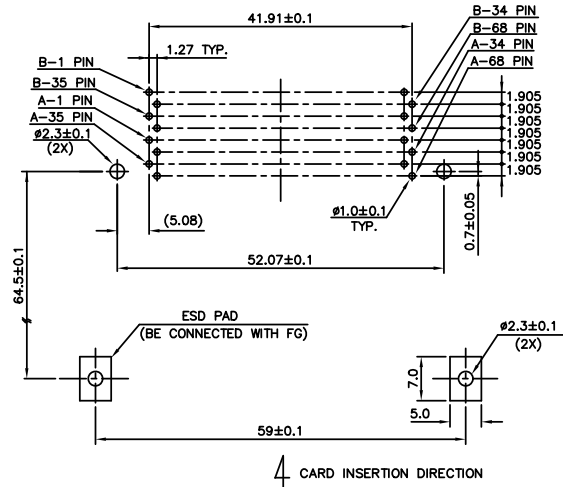


NOTES:

- EJECT FORCE : 3.5 Kg MAX.
- EJECT TRAVEL: 8.0mm
- MATERIAL
  - PART (A) (HEADER ASS'Y)  
HOUSING: HIGH TEMPERATURE THERMOPLASTIC  
PIN : COPPER ALLOY
  - PART (B) AND (C) (EJECT MECHANISM ASS'Y)  
HOUSING: HIGH TEMPERATURE THERMOPLASTIC  
PLATE : STAINLESS  
EMI CONTACT: PHOSPHOR BRONZE
- FINISH (PIN)  
UNDER PLATING : 0.5µm MIN. Ni  
CONTACT AREA : 0.1µm MIN. GOLD OVER 0.5µm MIN. Pd-Ni  
SOLDER TAIL (TIN LEAD OPTION): 2.5µm MIN. Sn-Pb  
SOLDER TAIL (LEAD FREE OPTION): 2.5µm MIN. PURE TIN

DIM"x"	4.25±0.1	3.5±0.1	5.0±0.1
PIN NUMBER	OTHERS	36,67	1,17,34,35,51,68

- IF LEAD FREE P/N THE HOUSING WILL WITHSTAND EXPOSURE TO 260°C PEAK TEMPERATURE FOR 10 SECONDS IN A WAVE SOLDER APPLICATION WITH A 1.00MM MINIMUM THICK CIRCUIT BOARD.
- IF LEAD FREE P/N THE PRODUCT MEETS EUROPEAN UNION DIRECTIVES AND OTHER COUNTRY REGULATIONS AS DISCRIBED IN GS-22-008
- LEAD FREE P/N PACKAGING MEETS GS-14-920 SPECIFICATION



USE THE FOLLOWING P/N FOR OFFICIAL ORDERING

(C)	EJECT MECH ASS'Y	61571-10CA
(B)	EJECT MECH ASS'Y	95627-10CA
(A)	HDR ASS'Y	92821-000/000LF
	DESCRIPTION	P/N

mat'l. code	surface	tolerance	projection	product family
	ISO1302	ISO 406 ISO1101		PCMCIA
l	tr	ec	n	o
dr	date	tolerances unless otherwise specified	MM	NARROW BODY FRONT EJECT TYPE 1/2/3 EJECTOR ASS'Y
		angle	scale: 5:1	dwg no
		0°±2'		sheet 3 of 3
	dr	SHIRLEY	08/30/96	61572
	eng	JOSEPH HSIA	08/30/96	A4
	chr	JOSEPH HSIA	08/30/96	Product Customer Drawing
	app	JENN TSAO	08/30/96	
sheet index	revision sheet			