



Chipsmall Limited consists of a professional team with an average of over 10 year of expertise in the distribution of electronic components. Based in Hongkong, we have already established firm and mutual-benefit business relationships with customers from,Europe,America and south Asia,supplying obsolete and hard-to-find components to meet their specific needs.

With the principle of “Quality Parts,Customers Priority,Honest Operation,and Considerate Service”,our business mainly focus on the distribution of electronic components. Line cards we deal with include Microchip,ALPS,ROHM,Xilinx,Pulse,ON,Everlight and Freescale. Main products comprise IC,Modules,Potentiometer,IC Socket,Relay,Connector.Our parts cover such applications as commercial,industrial, and automotives areas.

We are looking forward to setting up business relationship with you and hope to provide you with the best service and solution. Let us make a better world for our industry!



Contact us

Tel: +86-755-8981 8866 Fax: +86-755-8427 6832

Email & Skype: info@chipsmall.com Web: www.chipsmall.com

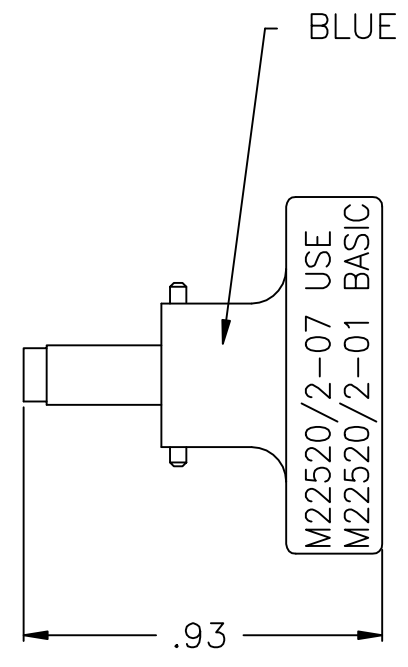
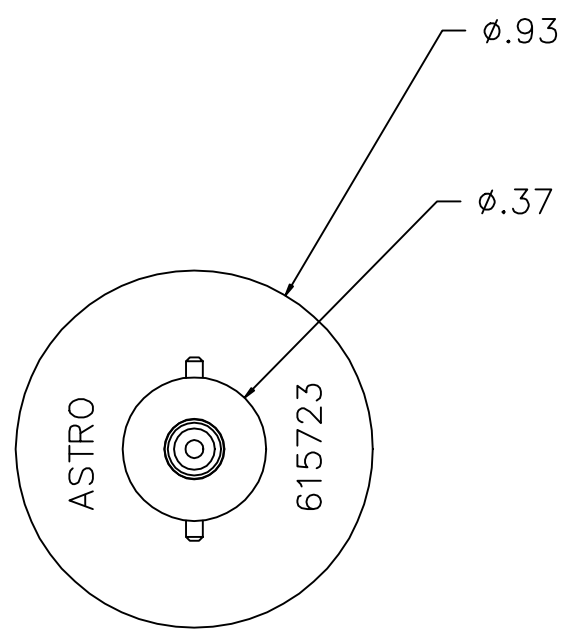
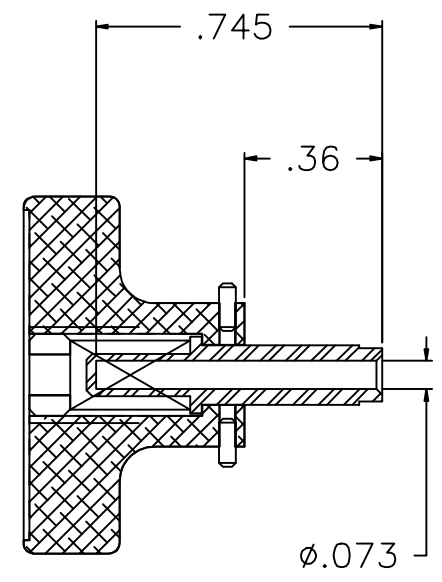
Address: A1208, Overseas Decoration Building, #122 Zhenhua RD., Futian, Shenzhen, China



USE WITH CONTACTS

| | | | | |
|-----------|----|----|----|----|
| WIRE | 22 | 24 | 26 | 28 |
| -22 SEL. | 4 | 3 | 2 | |
| -22M SEL. | 4 | 3 | 2 | |
| -22D SEL. | 4 | 3 | 2 | 1 |

MS27490-22 & 22M & 22D
MS27655-22D



**UNCONTROLLED DOCUMENT
WILL NOT BE UPDATED**

NOTES: 1. THIS IS AN ACAD DRAWING DO NOT CHANGE MANUALLY.

| | | | | | | | | |
|---|--------------|-----|------------|------|---|---|--|---|
| | | | | | <p>THESE DRAWINGS, SPECIFICATIONS OR OTHER DATA ARE AND REMAIN THE PROPERTY OF ASTRO TOOL CORP. AND MUST BE RETURNED UPON REQUEST. THEY CONTAIN INFORMATION OWNED AND/OR DEVELOPED BY ASTRO AT ITS OWN PRIVATE EXPENSE AND MAY NOT BE USED, DUPLICATED OR DISCLOSED TO OTHERS, IN WHOLE OR IN PART FOR DESIGN, MANUFACTURE OR PROCUREMENT WITHOUT THE WRITTEN PERMISSION OF ASTRO TOOL CORP. EACH AND EVERY TIME.</p> | <p>SCALE: N.T.S. DWN BY: DY0 DATE: 06-24-09 APPROVED:</p> | <p>UNLESS OTHERWISE SPECIFIED: DECIMALS: .XXX ± .005 .XX ± .010 .X ± .030 ANGLES: ± 1°</p> | <p>CAGE 58164 ASTRO TOOL CORP. 21615 S.W. TUALATIN VALLEY HWY., BEAVERTON OR 97006</p> |
| REV. | DESCRIPTION | BY | DATE | APR. | | | | |
| A | NEW RELEASE. | DY0 | 06-24-09 | MMK | | | | |
| <p>DESCRIPTION: ENVELOPE DRAWING: 615723 POSITIONER (M22520/2-07)</p> | | | | | | | | |
| PART NO. | | B | 615723-ENV | | | | | |