



Chipsmall Limited consists of a professional team with an average of over 10 year of expertise in the distribution of electronic components. Based in Hongkong, we have already established firm and mutual-benefit business relationships with customers from,Europe,America and south Asia,supplying obsolete and hard-to-find components to meet their specific needs.

With the principle of “Quality Parts,Customers Priority,Honest Operation,and Considerate Service”,our business mainly focus on the distribution of electronic components. Line cards we deal with include Microchip,ALPS,ROHM,Xilinx,Pulse,ON,Everlight and Freescale. Main products comprise IC,Modules,Potentiometer,IC Socket,Relay,Connector.Our parts cover such applications as commercial,industrial, and automotives areas.

We are looking forward to setting up business relationship with you and hope to provide you with the best service and solution. Let us make a better world for our industry!



Contact us

Tel: +86-755-8981 8866 Fax: +86-755-8427 6832

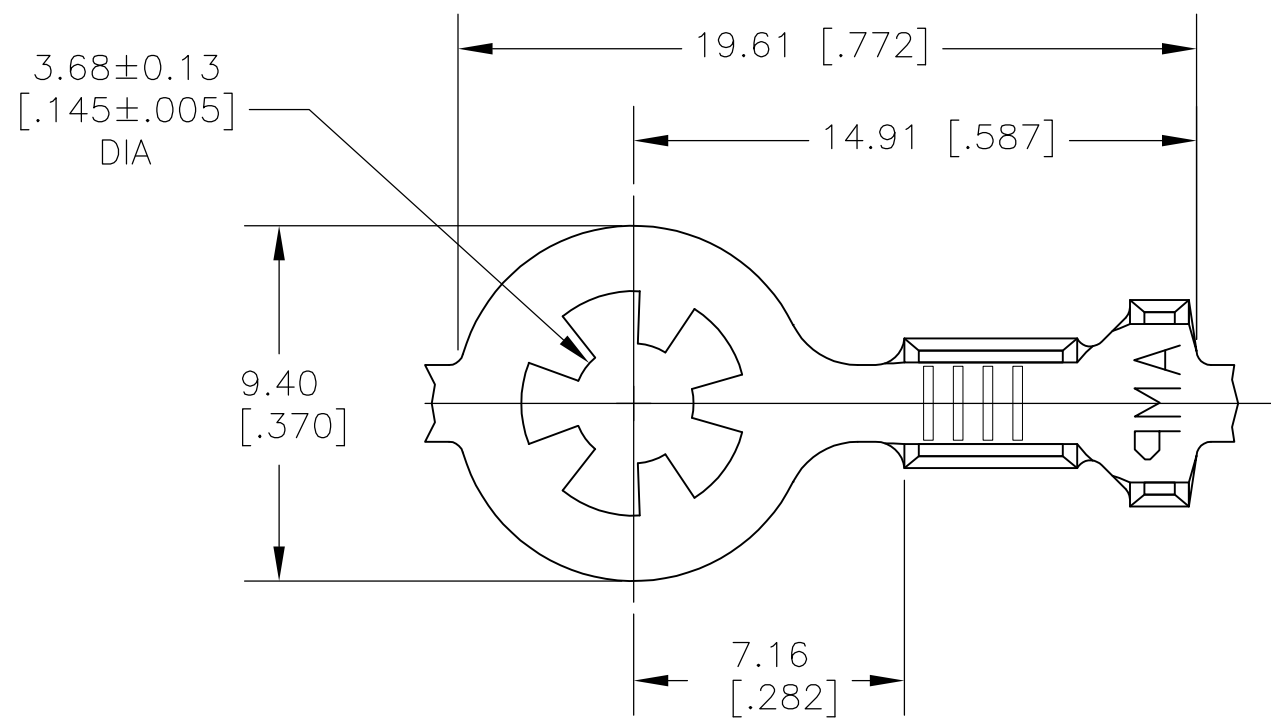
Email & Skype: info@chipsmall.com Web: www.chipsmall.com

Address: A1208, Overseas Decoration Building, #122 Zhenhua RD., Futian, Shenzhen, China

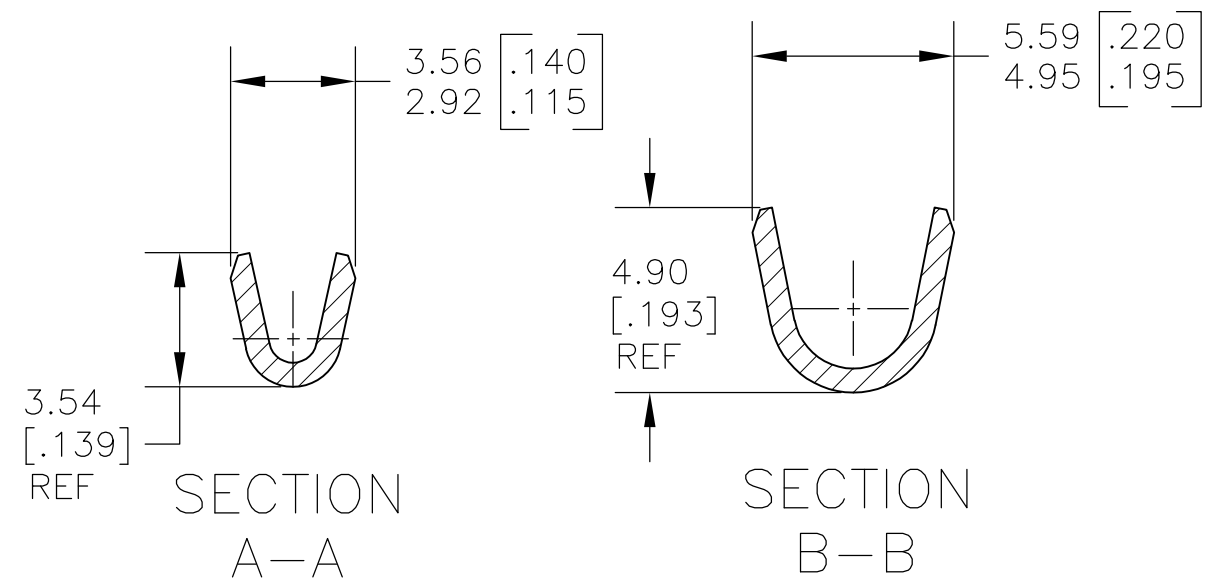
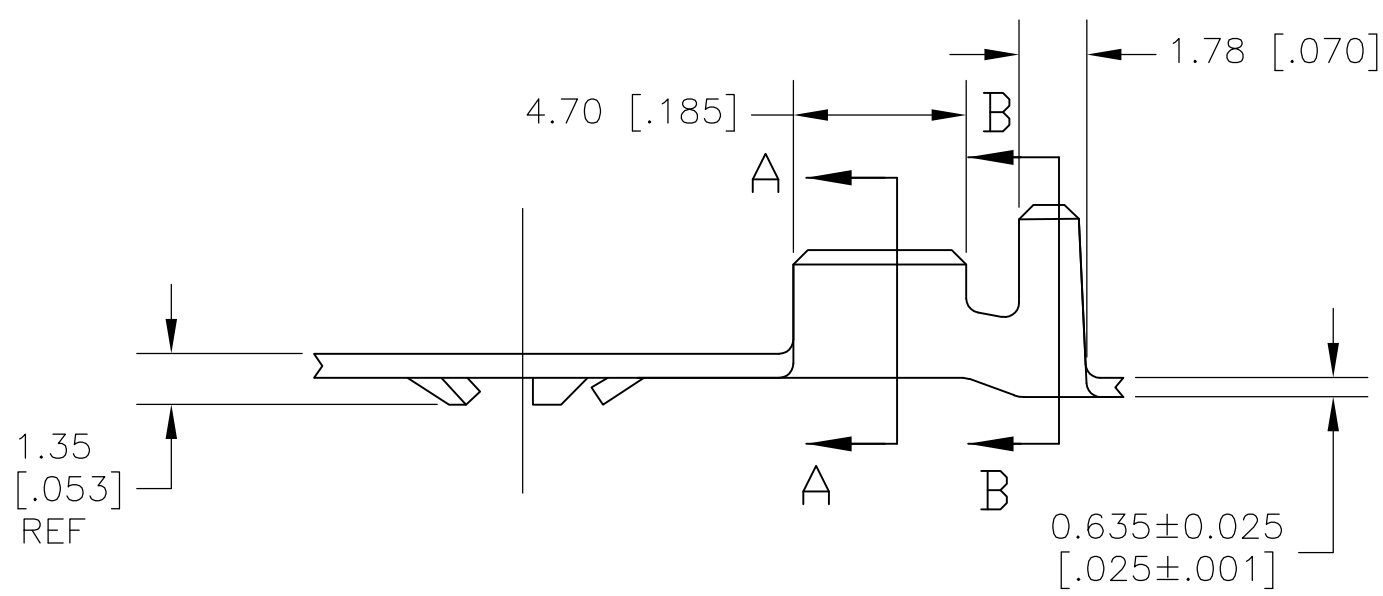


THIS DRAWING IS UNPUBLISHED. RELEASED FOR PUBLICATION
 © COPYRIGHT BY TYCO ELECTRONICS CORPORATION. ALL RIGHTS RESERVED.

LOC	DIST	REVISIONS					
AF	50	P	LTR	DESCRIPTION	DATE	DWN	APVD
		G		REVISED PER ECR-10-006099	08JUL10	HMR	PD



- CONTINUOUS STRIP ON REELS
- WIRE SIZE 0.3-1.3mm² [22-16] AWG
- INSULATION RANGE 2.54-3.56 [.100-.140] DIA



61588-1
PART NO

F	4.57 [.180]	6.35 [.250]	F	2.54 [.100]	2.11 [.083]	1.3mm ² [16]
					1.96 [.077]	0.8mm ² [18]
					1.85 [.073]	0.5mm ² [20]
					1.80 [.071]	0.3mm ² [22]
TYPE	WIDTH	STRIP LENGTH ±0.38 [.015]	TYPE	WIDTH	HEIGHT ±0.05 [.002]	WIRE
INSUL BARREL CRIMP			WIRE BARREL CRIMP			

THIS DRAWING IS A CONTROLLED DOCUMENT.

DIMENSIONS: MM [INCHES]	TOLERANCES UNLESS OTHERWISE SPECIFIED:
	0 PLC ± -
	1 PLC ± -
	2 PLC ± 0.38 [.015]
	3 PLC ± -
	4 PLC ANGLES ± 5°
MATERIAL	FINISH
#4 HARD BRASS	TIN

DWN jr_ruth 19JAN08	Tyco Electronics Corporation Harrisburg, PA 17105-3608
CHK D DECKER 19JAN09	
APVD D DECKER 19JAN09	
PRODUCT SPEC	
APPLICATION SPEC	RING
WEIGHT -	SIZE A3 CAGE CODE 00779 DRAWING NO G-61588 RESTRICTED TO -
CUSTOMER DRAWING	SCALE 5:1 SHEET 1 OF 1 REV G