



Chipsmall Limited consists of a professional team with an average of over 10 year of expertise in the distribution of electronic components. Based in Hongkong, we have already established firm and mutual-benefit business relationships with customers from,Europe,America and south Asia,supplying obsolete and hard-to-find components to meet their specific needs.

With the principle of “Quality Parts,Customers Priority,Honest Operation,and Considerate Service”,our business mainly focus on the distribution of electronic components. Line cards we deal with include Microchip,ALPS,ROHM,Xilinx,Pulse,ON,Everlight and Freescale. Main products comprise IC,Modules,Potentiometer,IC Socket,Relay,Connector.Our parts cover such applications as commercial,industrial, and automotives areas.

We are looking forward to setting up business relationship with you and hope to provide you with the best service and solution. Let us make a better world for our industry!



Contact us

Tel: +86-755-8981 8866 Fax: +86-755-8427 6832

Email & Skype: info@chipsmall.com Web: www.chipsmall.com

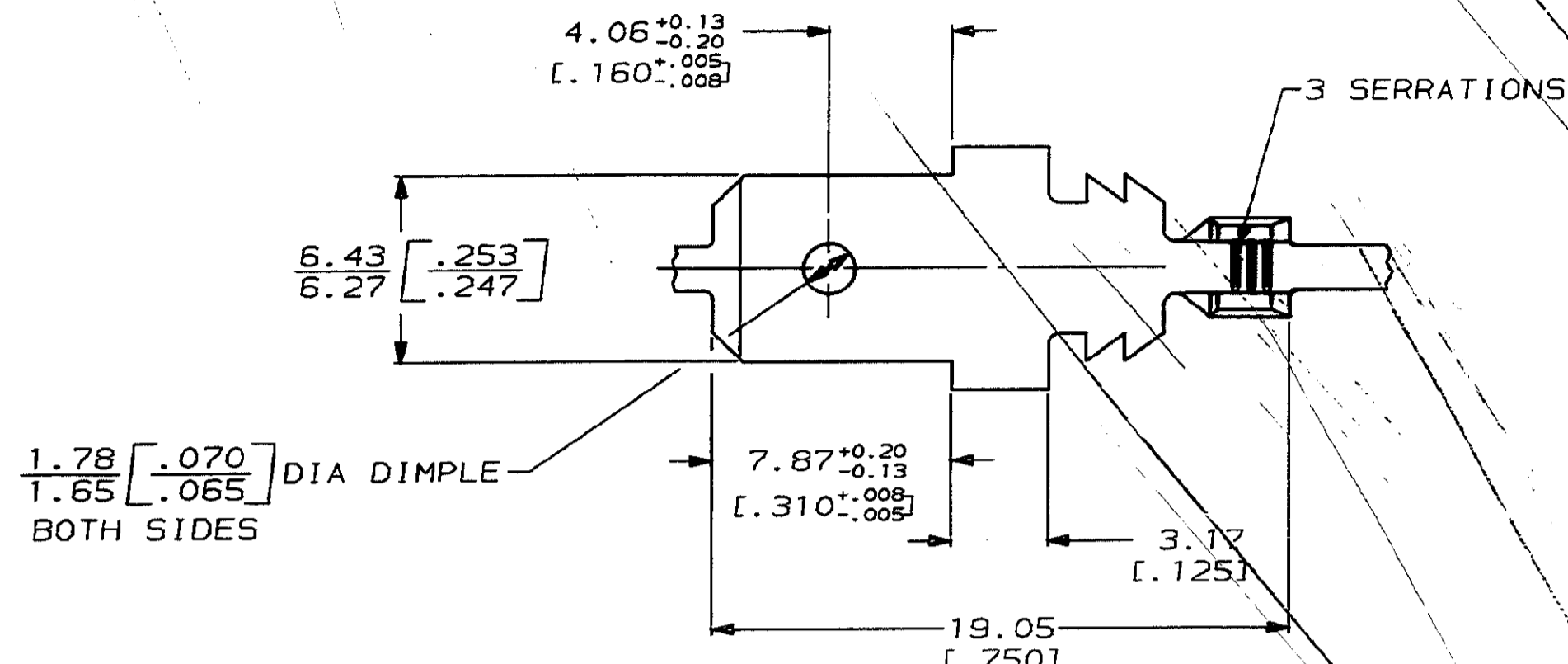
Address: A1208, Overseas Decoration Building, #122 Zhenhua RD., Futian, Shenzhen, China



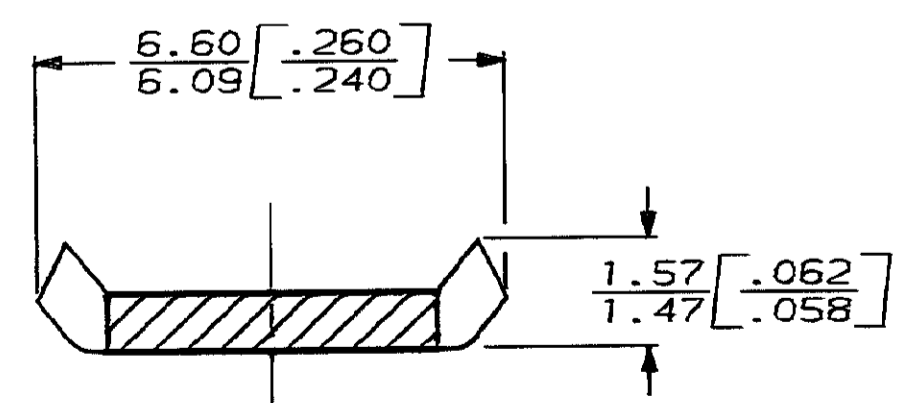
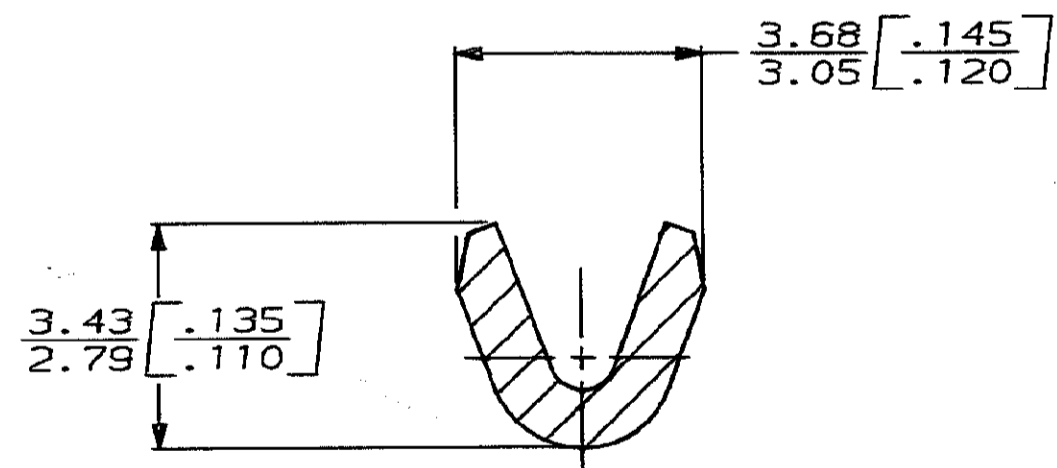
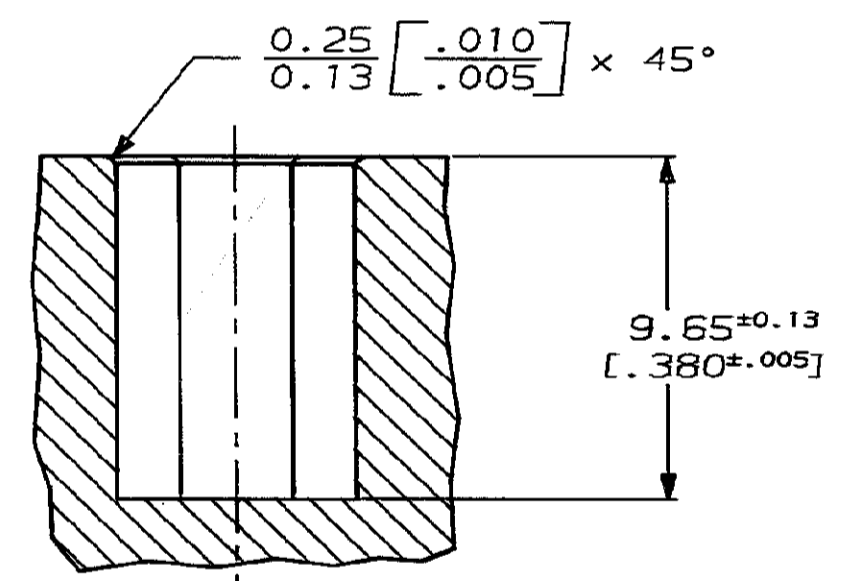
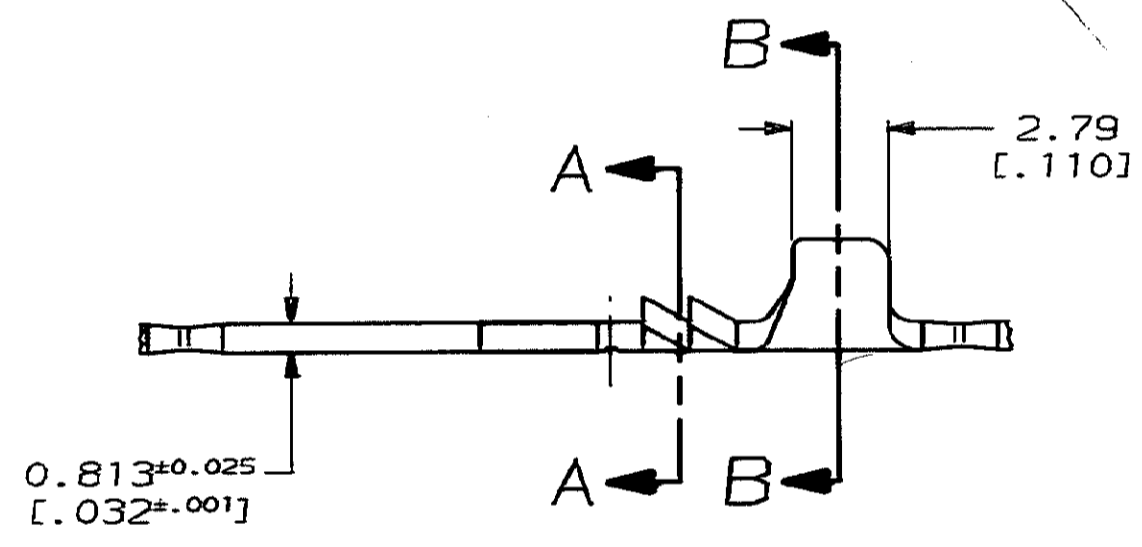
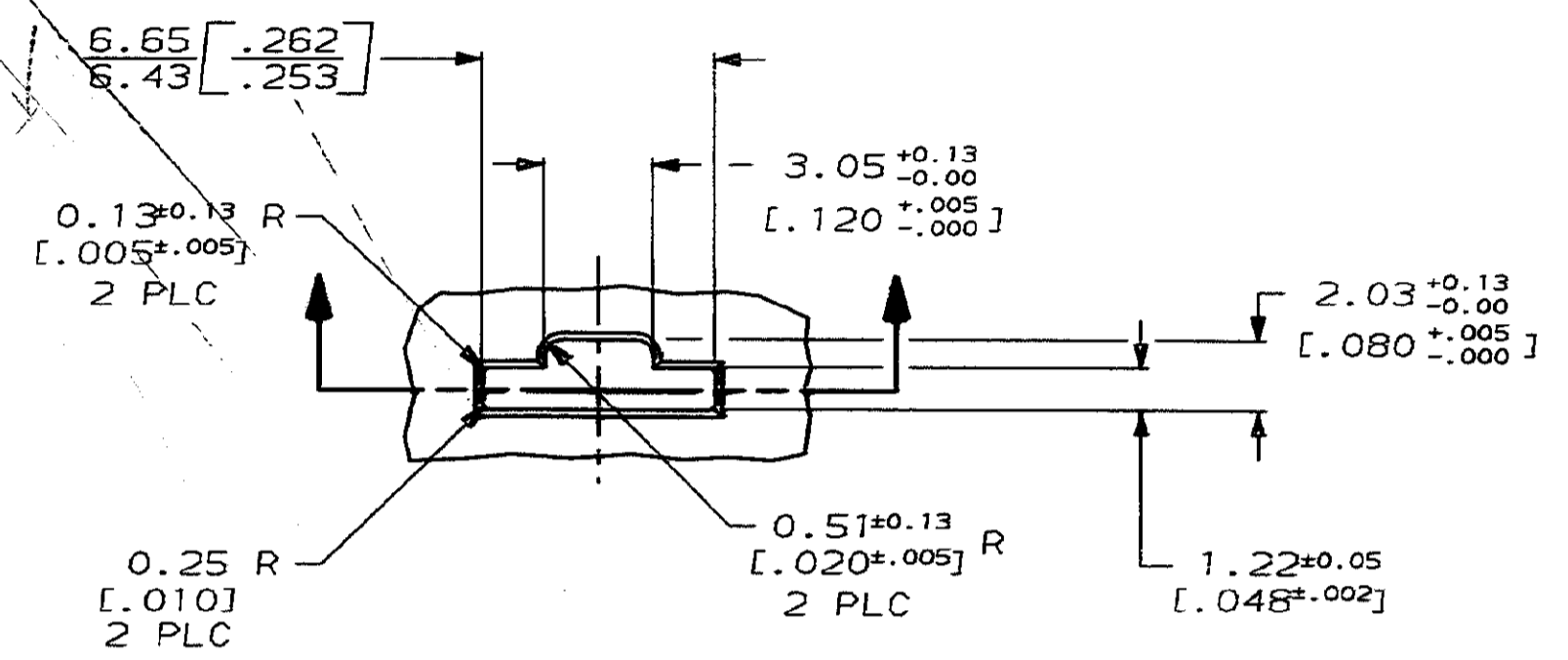
DRAWING MADE IN THIRD ANGLE PROJECTION

THIS DRAWING IS UNPUBLISHED. RELEASED FOR PUBLICATION .19
 © COPYRIGHT 19 BY AMP INCORPORATED. ALL INTERNATIONAL RIGHTS RESERVED.

LOC	DIST	P	F	REVISIONS		DATE	APPD
AF	50			ZONE	LTR	DESCRIPTION	
				P		REV & REDRAWN PER AF-6955	9/5/90 DK5



- 1 WIRE RANGE: 0.20-0.32mm² [#32-#28] AWG
- 2 PRE-STRIPPING OF THE MAGNET WIRE IS NOT REQUIRED
- 3 TIN PL 0.002032[.000080] MIN THK PER MIL-T-10727



SECTION B-B
SCALE 10:1

SECTION A-A
SCALE 10:1

RECOMMENDED CAVITY SIZE

DO NOT SCALE PRINT. UNLESS SPECIFIED DIMENSIONS IN mm [INCHES] TOLERANCES ON: 2 PLC DEC ± 0.38[.015] 3 PLC DEC ± - ANGLES ± -	DR 9/5/90 DK SCHRUM	OBSOLETE		61598-2
	CHK 9/11/90 MS FEHER	NONE		61598-1
MATERIAL #2 HARD BRASS	APPD 9/13/90 D SCHWENK	FINISH		PART NO
	APPD 9/25/90 R. WEAUVILL	AMP Incorporated Harrisburg, PA 17105-3608		
FINISH SEE TABLE	APPLICATION SPEC -	NAME BOBBIN TAB, AMPLIVAR™		
WEIGHT -	PRODUCT SPEC -	SIZE C	CAGE CODE 00779	DRAWING NO 61598
		SCALE 5:1		SHEET 1 OF 1

METRIC

CUSTOMER DRAWING