



Chipsmall Limited consists of a professional team with an average of over 10 year of expertise in the distribution of electronic components. Based in Hongkong, we have already established firm and mutual-benefit business relationships with customers from,Europe,America and south Asia,supplying obsolete and hard-to-find components to meet their specific needs.

With the principle of “Quality Parts,Customers Priority,Honest Operation,and Considerate Service”,our business mainly focus on the distribution of electronic components. Line cards we deal with include Microchip,ALPS,ROHM,Xilinx,Pulse,ON,Everlight and Freescale. Main products comprise IC,Modules,Potentiometer,IC Socket,Relay,Connector.Our parts cover such applications as commercial,industrial, and automotives areas.

We are looking forward to setting up business relationship with you and hope to provide you with the best service and solution. Let us make a better world for our industry!



Contact us

Tel: +86-755-8981 8866 Fax: +86-755-8427 6832

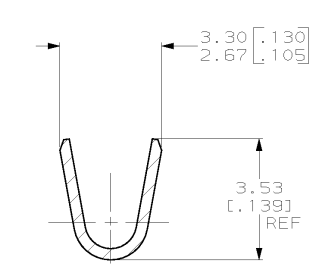
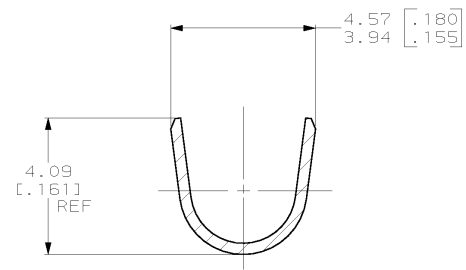
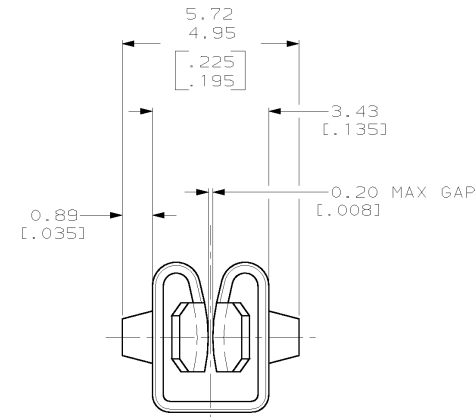
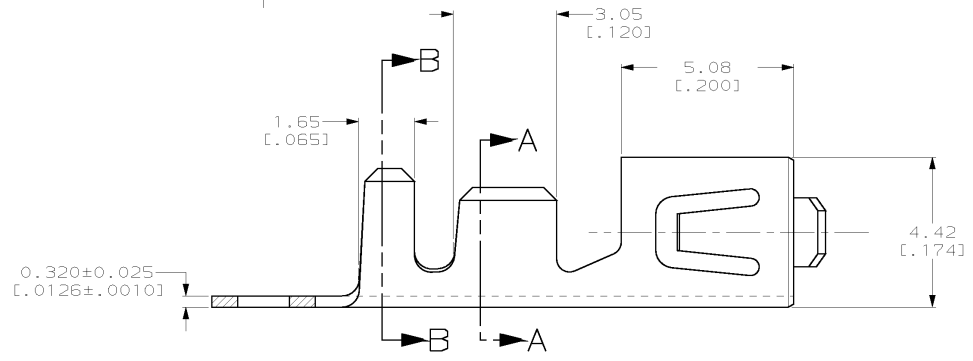
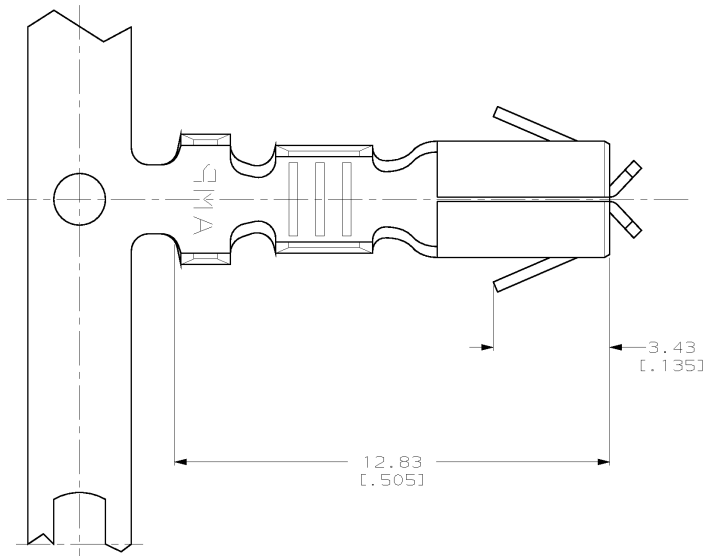
Email & Skype: info@chipsmall.com Web: www.chipsmall.com

Address: A1208, Overseas Decoration Building, #122 Zhenhua RD., Futian, Shenzhen, China



LOC	DIST	REVISIONS			
P	LTR	DESCRIPTION	DATE	OWN	APVD
AF	50				
Y		REV PER 063A-0634-01	12NOV01	JR	DD

- 1 CONTINUOUS STRIP ON REELS.
 - 2 TERMINAL TO ACCEPT A 0.51 [.020] X 3.18 [.125] TIN PLATED TAB.
 - 3 THIS PART TO BE USED WITH HOUSING PART NUMBERS; 480553 AND 480556.
- ⚠ 0.000381 [.000015] MIN PRE-TIN PLATE.
 - ⚠ 0.002032 [.000080] MIN POST-TIN PLATE.
 - ⚠ PREPRODUCTION - F.A.S.R. REQUIRED.



	⚠	H06 BRASS	2.16-3.18 [.085-.125]	#20-#14 AWG	⚠ 61603-5
OBSOLETE	NONE	SPRING COPPER	2.16-3.18 [.085-.125]	#20-#14 AWG	61603-4
OBSOLETE	⚠	SPRING COPPER	2.16-3.18 [.085-.125]	#20-#14 AWG	61603-3
OBSOLETE	NONE	H06 BRASS	2.16-3.18 [.085-.125]	#20-#14 AWG	61603-2
	⚠	H06 BRASS	2.16-3.18 [.085-.125]	#20-#14 AWG	61603-1
FINISH		MATERIAL	INSULATION RANGE	WIRE RANGE	PART NUMBER

THIS DRAWING IS A CONTROLLED DOCUMENT.

DRN MICHAEL S. FEHER 26AUG2000	AMP Incorporated Harrisburg, PA 17105-3608
CHK DONALD DECKER 25AUG2000	
APVD DONALD DECKER 25AUG2000	
NAME DONALD DECKER	
PRODUCT SPEC	
APPLICATION SPEC	
SIZE	CASE CODE (DRAWING NO)
WEIGHT	A200779 61603
CUSTOMER DRAWING	SCALE 10:1 SHEET 1 OF 1 REV Y