



Chipsmall Limited consists of a professional team with an average of over 10 year of expertise in the distribution of electronic components. Based in Hongkong, we have already established firm and mutual-benefit business relationships with customers from,Europe,America and south Asia,supplying obsolete and hard-to-find components to meet their specific needs.

With the principle of “Quality Parts,Customers Priority,Honest Operation,and Considerate Service”,our business mainly focus on the distribution of electronic components. Line cards we deal with include Microchip,ALPS,ROHM,Xilinx,Pulse,ON,Everlight and Freescale. Main products comprise IC,Modules,Potentiometer,IC Socket,Relay,Connector.Our parts cover such applications as commercial,industrial, and automotives areas.

We are looking forward to setting up business relationship with you and hope to provide you with the best service and solution. Let us make a better world for our industry!



Contact us

Tel: +86-755-8981 8866 Fax: +86-755-8427 6832

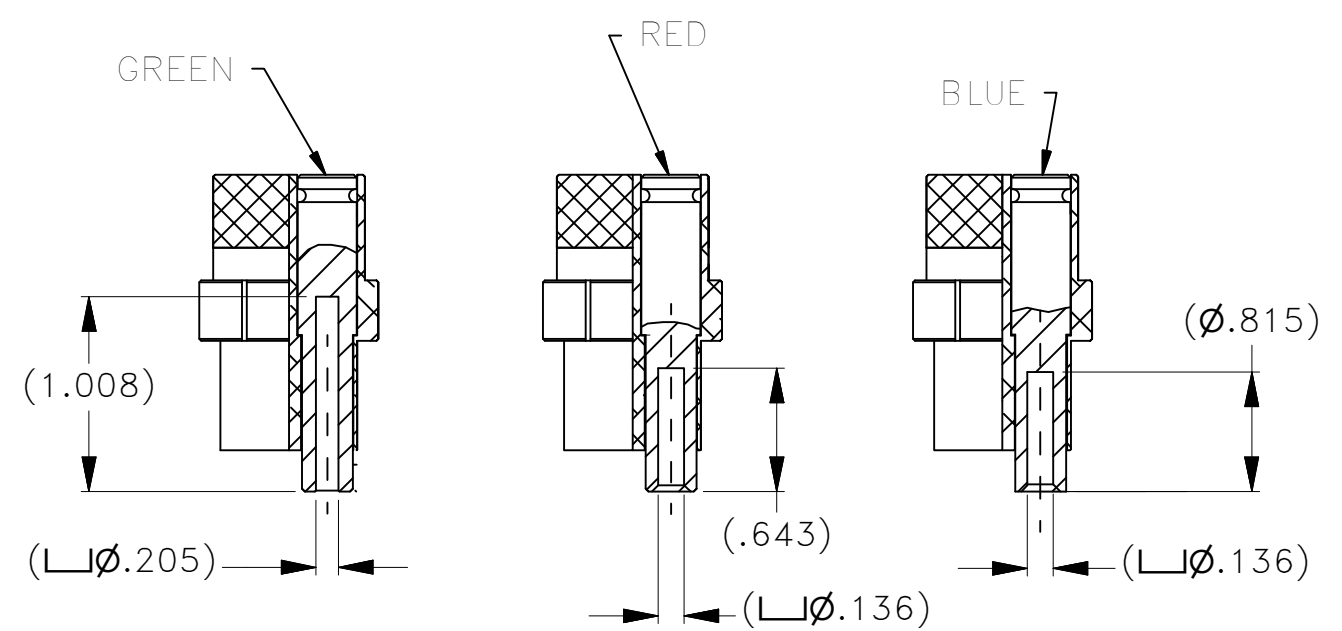
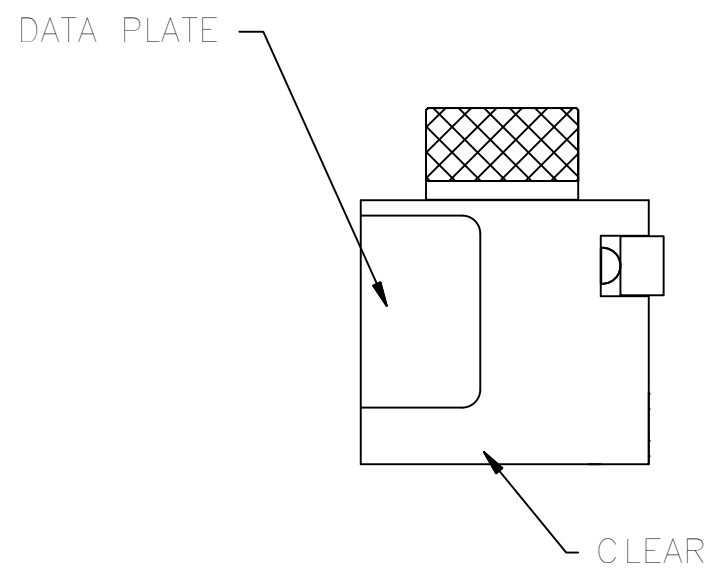
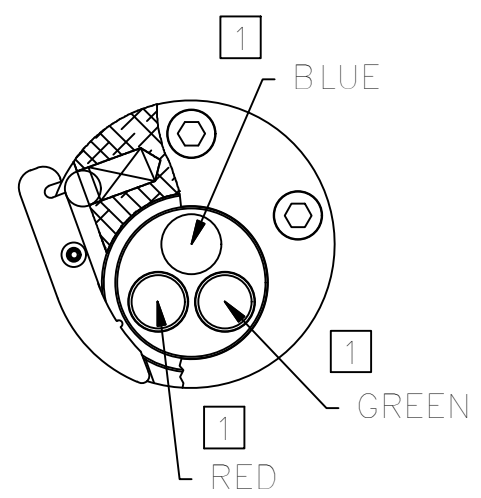
Email & Skype: info@chipsmall.com Web: www.chipsmall.com

Address: A1208, Overseas Decoration Building, #122 Zhenhua RD., Futian, Shenzhen, China



REVISIONS 616266-ENV				
REV SYM	ECO NUMBER	DESCRIPTION	BY DATE	APP'D DATE
A	XXXX	NEW RELEASE	ADI.G 02/09/15	DYO 02/09/15

UNCONTROLLED DOCUMENT
WILL NOT BE UPDATED



CUSTOMER	CONTACT #		COLOR CODE	20	18	16	14	12	WIRE SIZE	SELECTOR NUMBER
	BENDIX									
	10-40552(S), 10-113239-15(S)		RED	4	5	6				
	10-229192-156 10-40553(P), 10-113239-15(P)									
	10-229193-156		BLUE	4	5	6				
	10-40557(P), 10-113239-16(P)									
	10-229192-166 10-40556(S), 10-113239-16(S)		GREEN	4	5	6				
	10-229193-166									
	10-40560(S), 10-113239-12(S)									8
	10-229192-126									
	10-40561(P), 10-113239-12(P)									
	10-229193-126									

DATA PLATE

NOTES:

1. RANDOM ORDER OF ROTATION IS ACCEPTABLE.
2. THIS IS AN ICAD DRAWING DO NOT CHANGE MANUALLY.

THESE DRAWINGS, SPECIFICATIONS OR OTHER DATA ARE THE PROPERTY OF ASTRO TOOL CORP. AND MUST BE RETURNED UPON REQUEST. THEY CONTAIN INFORMATION OWNED AND/OR DEVELOPED BY ASTRO AT ITS OWN PRIVATE EXPENSE AND MAY NOT BE USED, DUPLICATED OR DISCLOSED TO OTHERS, IN WHOLE OR IN PART FOR DESIGN, MANUFACTURE, OR PROCUREMENT WITHOUT THE WRITTEN PERMISSION OF ASTRO TOOL CORP. EACH AND EVERY TIME.	MATERIAL	N/A	ITEM	PART NO.	QTY.	DESCRIPTION/REMARKS
	HEAT TREAT	N/A	DRN.	ADL.G	DATE	02/09/15
	FINISH	N/A	CHK'D.	DYO	DATE	02/09/15
	TOLERANCE:		UNLESS OTHERWISE SPECIFIED FRACTIONS ± 1/32 ANGLES ± 1° DECIMAL INCHES:		.X ± .030 .XX ± .010 .XXX ± .005 .XXXX ± .0005 REMOVE BURRS AND BREAK SHARP EDGES .005-.015	
CREATED FROM AN INVENTOR MODEL. CHANGES MUST BE REFLECTED IN THE 3D PART		DO NOT SCALE DRAWING		WHERE USED:		ASTRO TOOL CORP 21615 S.W. THIALATIN VALLEY HWY. BEAVERTON OR 97003
				SIZE	SCALE	CAD P/N
				B	XX	616266-ENV_RA
				POSTING	P/N	616266-ENV
				SHEET	OF	1 1
				REV.	A	