



Chipsmall Limited consists of a professional team with an average of over 10 year of expertise in the distribution of electronic components. Based in Hongkong, we have already established firm and mutual-benefit business relationships with customers from,Europe,America and south Asia,supplying obsolete and hard-to-find components to meet their specific needs.

With the principle of "Quality Parts,Customers Priority,Honest Operation,and Considerate Service",our business mainly focus on the distribution of electronic components. Line cards we deal with include Microchip,ALPS,ROHM,Xilinx,Pulse,ON,Everlight and Freescale. Main products comprise IC,Modules,Potentiometer,IC Socket,Relay,Connector.Our parts cover such applications as commercial,industrial, and automotives areas.

We are looking forward to setting up business relationship with you and hope to provide you with the best service and solution. Let us make a better world for our industry!



Contact us

Tel: +86-755-8981 8866 Fax: +86-755-8427 6832

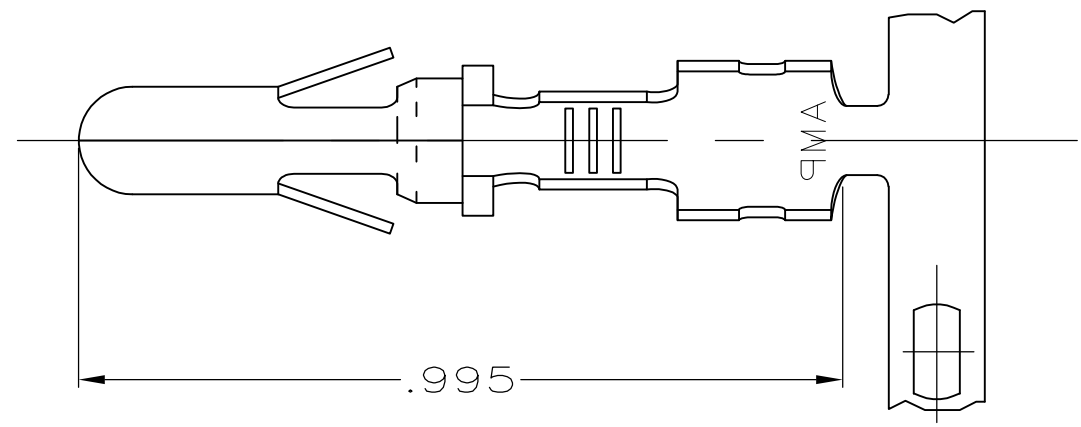
Email & Skype: info@chipsmall.com Web: www.chipsmall.com

Address: A1208, Overseas Decoration Building, #122 Zhenhua RD., Futian, Shenzhen, China

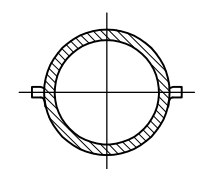
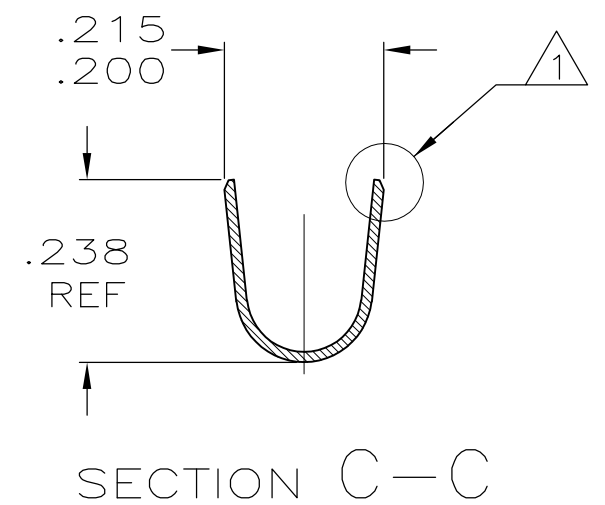
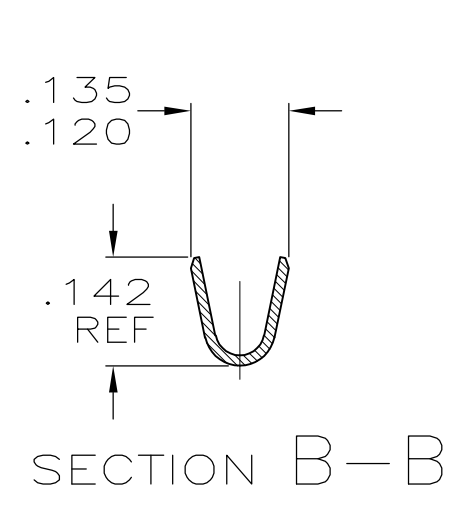
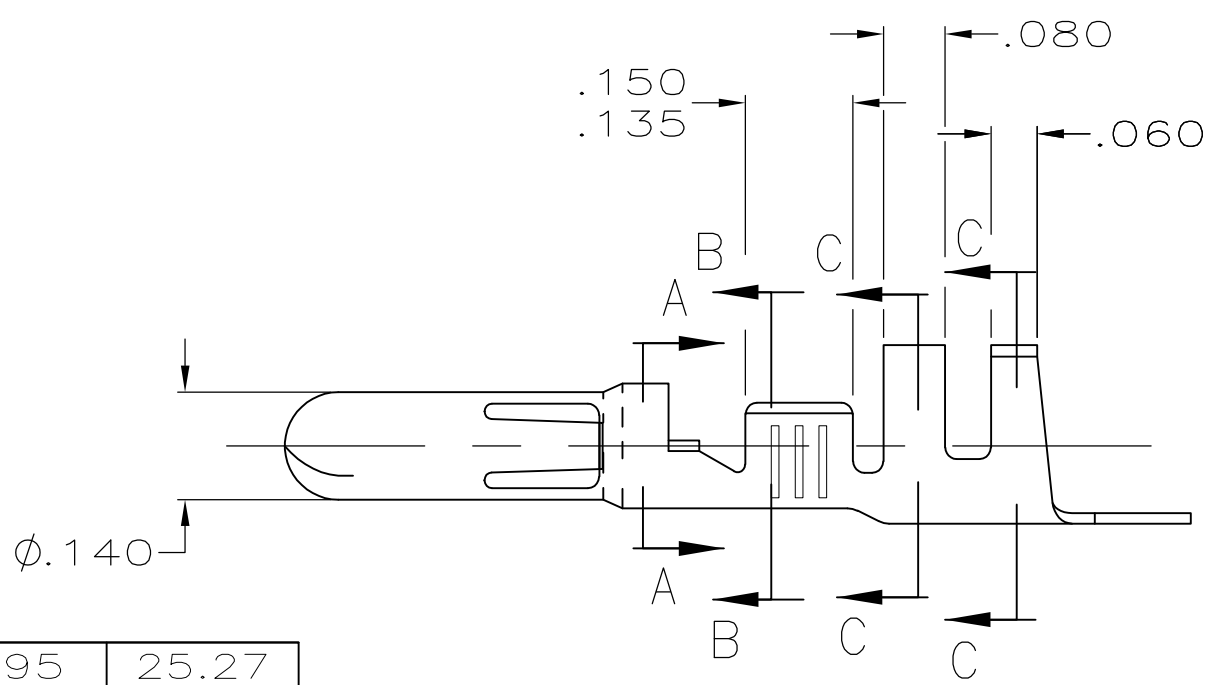


THIS DRAWING IS UNPUBLISHED. RELEASED FOR PUBLICATION
 © COPYRIGHT - By - ALL RIGHTS RESERVED.

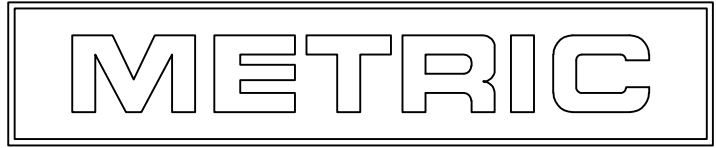
LOC	DIST	REVISIONS			
P	LTR	DESCRIPTION	DATE	DWN	APVD
CM	53				
		D1	REVISED PER ECO-11-005027	11MAR11	RK HMR



⚠ SWAGE, INSULATION BARREL ONLY.



SECTION A-A



IN	MM
.995	25.27
.238	6.05
.215	5.46
.200	5.08
.150	3.81
.142	3.61
.140	3.56
.135	3.43
.120	3.05
.080	2.03
.060	1.52
.014	0.36
.005	0.13
IN	MM

CONVERSION TABLE

	TIN	.014 PH. BRZ	61627-2
350389-1	TIN	.014 BRASS	61627-1
LOOSE PIECE (REF)	FINISH	MATERIAL	PART NUMBER

THIS DRAWING IS A CONTROLLED DOCUMENT.		DWN L. SMITH 4-07-94	TE Connectivity NAME .140 DIA PIN			
DIMENSIONS: INCHES		CHK R. SWING 4-07-94				
TOLERANCES UNLESS OTHERWISE SPECIFIED:		APVD C. MARTIN 4-11-94				
0 PLC ± - 1 PLC ± - 2 PLC ± - 3 PLC ± .005 4 PLC ± - ANGLES ± 1		PRODUCT SPEC	SIZE			
MATERIAL SEE TABLE		FINISH	APPLICATION SPEC	CAGE CODE	DRAWING NO	RESTRICTED TO
			WEIGHT	A300779	C-61627	
CUSTOMER DRAWING			SCALE	SHEET	REV	
			4:1	1 OF 1	D1	