



Chipsmall Limited consists of a professional team with an average of over 10 year of expertise in the distribution of electronic components. Based in Hongkong, we have already established firm and mutual-benefit business relationships with customers from,Europe,America and south Asia,supplying obsolete and hard-to-find components to meet their specific needs.

With the principle of “Quality Parts,Customers Priority,Honest Operation,and Considerate Service”,our business mainly focus on the distribution of electronic components. Line cards we deal with include Microchip,ALPS,ROHM,Xilinx,Pulse,ON,Everlight and Freescale. Main products comprise IC,Modules,Potentiometer,IC Socket,Relay,Connector.Our parts cover such applications as commercial,industrial, and automotives areas.

We are looking forward to setting up business relationship with you and hope to provide you with the best service and solution. Let us make a better world for our industry!



## Contact us

Tel: +86-755-8981 8866 Fax: +86-755-8427 6832

Email & Skype: info@chipsmall.com Web: www.chipsmall.com

Address: A1208, Overseas Decoration Building, #122 Zhenhua RD., Futian, Shenzhen, China



IEC Appliance Inlet C20, Screw-on Mounting, Rear Side, PCB Terminal



C20



70° C



**Description**

- Panel Mount :
- Screw-on mounting , from rear-side
- Appliance Inlet , Pin temperature 70 °C , Protection class I
- For PCB mounting

**Approvals**

- UL File Number: E96454
- CSA File Number: 27324

**References**

We recommend for new applications the type [GSP4](#)

**Weblinks**

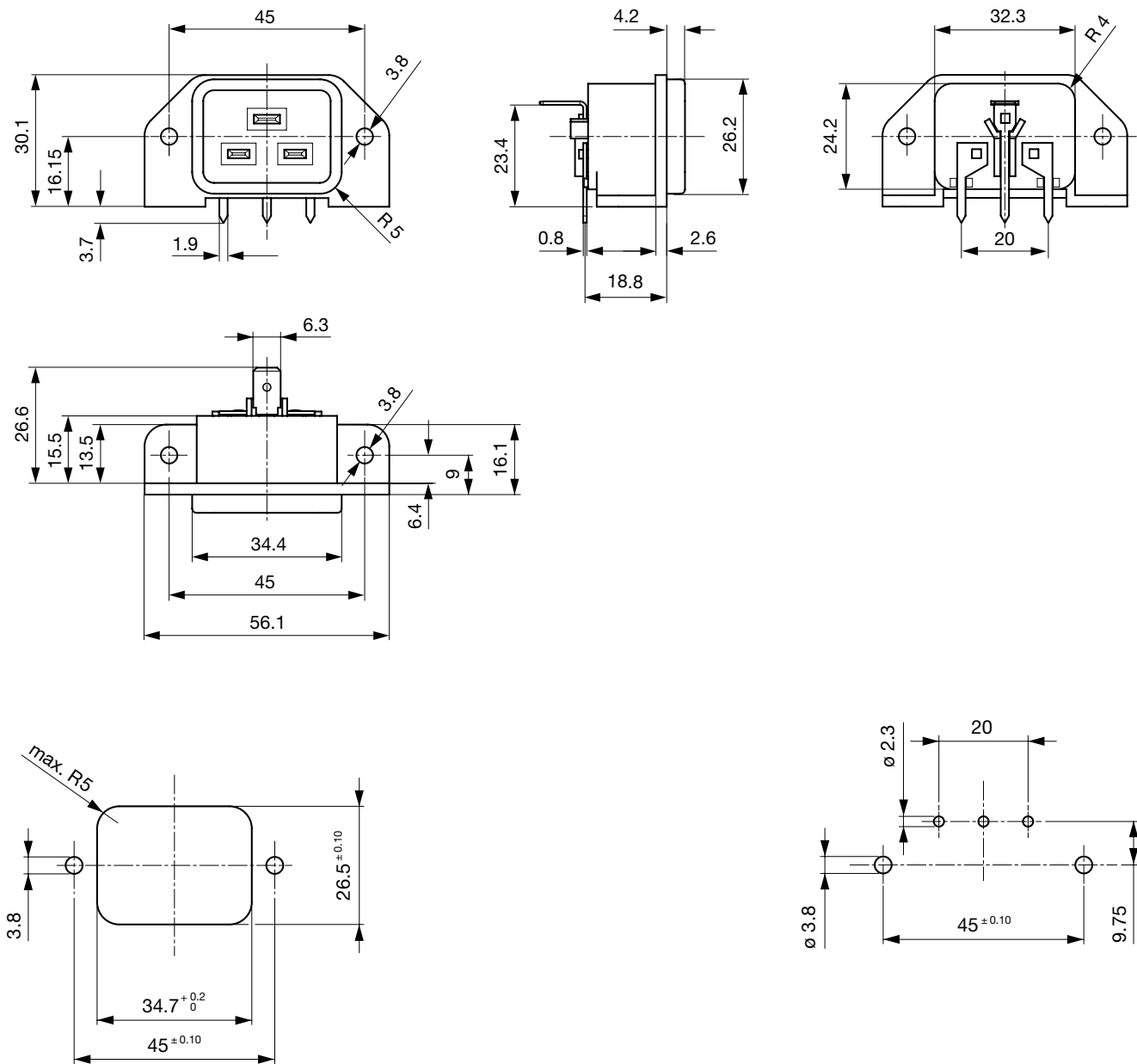
[pdf datasheet](#), [html-datasheet](#), [General Product Information](#), [RoHS](#), [CHINA-RoHS](#), [REACH](#), [Distributor-Stock-Check](#), [Accessories](#), [Detailed request for product](#)

**Technical Data**

|                                 |   |                         |  |
|---------------------------------|---|-------------------------|--|
| Ratings IEC                     | 16A / 250VAC; 50Hz  | appliance inlet/-outlet | C20 acc. to IEC 60320-1  |
| Ratings UL/CSA                  | 20A / 250VAC; 60Hz  |                         | UL 60320-1, CSA C22.2 no. 60320-1                                    |
| Dielectric Strength             | > 3 kVAC between L-N<br>> 1.5 kVAC between L/N-PE<br>(1 min/50Hz) |                         | (for cold conditions) pin-temperature 70 °C, 16A, Protection Class I |
| Allowable Operation Temperature | -25 °C to 70 °C   |                         |  |
| IP-Protection                   | from front side IP 20 acc. to IEC 60529                           |                         |  |
| Insulation cover                | Suitable for appliances with protection class I acc. to IEC 61140 |                         |  |
| Terminal                        | For PCB mounting Solder terminal straight                         |                         |  |
| Material: Housing               | Thermoplastic, black, UL 94V-0                                    |                         |  |

Detailed information on product approvals, code requirements, usage instructions and detailed test conditions can be looked up in [General Product Information](#)

Dimensions



Panel cut-out and Drilling diagram

Config. Code

1601 - H - A B C 0 - D - E I


The characters are placeholders for the correspondingly keys of selections from the key tables.

1601 - **H** - A B C 0 - D - E I = Type

| Type               | Configuration key |
|--------------------|-------------------|
| protection class I | X                 |

Terminal L

Configuration key

|                       |   |   |
|-----------------------|---|---|
| PCB-terminal standard |  | 4 |
|-----------------------|---|---|

1601 - H - A **B** C 0 - D - E I = Terminals

1601 - H - **A** B C 0 - D - E I = Terminals

| Terminal N            | Configuration key | Color | Configuration key |
|-----------------------|-------------------|-------|-------------------|
| PCB-terminal standard | 4                 | Black | A                 |

Symbols similar as in table A

1601 - H - A B **C** 0 - D - E I = Terminals

1601 - H - A B C 0 - D - **E** I = Style

| Terminal Ground  | Configuration key | Style                     | Configuration key |
|--|-------------------|---------------------------|-------------------|
| PCB-terminal long (additional quick-connect terminal 6.3 x 0.8 mm) | 6                 | flange with through holes | 2                 |

Symbols similar as in table A

1601 - H - A B C 0 - **D** - E I = Color

1601 - H - A B C 0 - D - E I = Additional Terminals

| Additional Terminals                                      | Configuration key |
|---|-------------------|
| without additional terminal on L and N                    | 0                 |
| additional quick connect terminal 6.3 x 0.8 mm on L and N | 9                 |

All Variants

| Terminals L / N       | Terminal Ground  | Color | Additional Terminals                                      | Config. Code     | Order Number |
|-----------------------|--|-------|---|------------------|--------------|
| PCB-terminal standard | PCB-terminal long (additional quick-connect terminal 6.3 x 0.8 mm) | Black | additional quick connect terminal 6.3 x 0.8 mm on L and N | 1601-X-4460-A-29 | 6163.0018    |
| PCB-terminal standard | PCB-terminal long (additional quick-connect terminal 6.3 x 0.8 mm) | Black | without additional terminal on L and N                    | 1601-X-4460-A-20 | 6163.0019    |

The listed variants should be available from stock Other versions on request [www.schurter.com/contact](http://www.schurter.com/contact)

Most Popular.

Availability for all products can be searched real-time: <http://www.schurter.com/en/Stock-Check/Stock-Check-SCHURTER>

Packaging unit 50 Pcs

Mating Outlets/Connectors

Category / Description



Connector Overview complete

|   |       |
|---|-------|
| IEC Connector C19, Rewireable, Straight | 4795  |
| IEC Connector C19, Rewireable, Angled   | 4790  |
| IEC Connector C19, Rewireable, Straight | 0104U |

Connector further types to 1601



Power Supply Cord Overview complete

|  |           |
|--|-----------|
| Cord Sets 16 A, Europlug, 2.5 m, Connector IEC C19, H05VV-F3G1.5, black        | 6004.0395 |
| Cord Sets 16 A, Interconnection, 1.0 m, Connector IEC C19, H05VV-F3G1.5, black | 6020.0392 |
| Cord Sets 16 A, Interconnection, 2.0 m, Connector IEC C19, H05VV-F3G1.5, black | 6020.0394 |
| Cord Sets 16 A, North America, 2.5 m, Connector IEC C19, SJT 3x14 AWG, black   | 6009.5195 |

Power Supply Cord further types to 1601

## Mating Outlets/Connectors shuttered



Power Cord Overview complete

Overview Power Cord with IEC Appliance Connector C19, V-Lock, straight

VAC19KS

Power Cord further types to 1601