



Chipsmall Limited consists of a professional team with an average of over 10 year of expertise in the distribution of electronic components. Based in Hongkong, we have already established firm and mutual-benefit business relationships with customers from,Europe,America and south Asia,supplying obsolete and hard-to-find components to meet their specific needs.

With the principle of “Quality Parts,Customers Priority,Honest Operation,and Considerate Service”,our business mainly focus on the distribution of electronic components. Line cards we deal with include Microchip,ALPS,ROHM,Xilinx,Pulse,ON,Everlight and Freescale. Main products comprise IC,Modules,Potentiometer,IC Socket,Relay,Connector.Our parts cover such applications as commercial,industrial, and automotives areas.

We are looking forward to setting up business relationship with you and hope to provide you with the best service and solution. Let us make a better world for our industry!



## Contact us

Tel: +86-755-8981 8866 Fax: +86-755-8427 6832

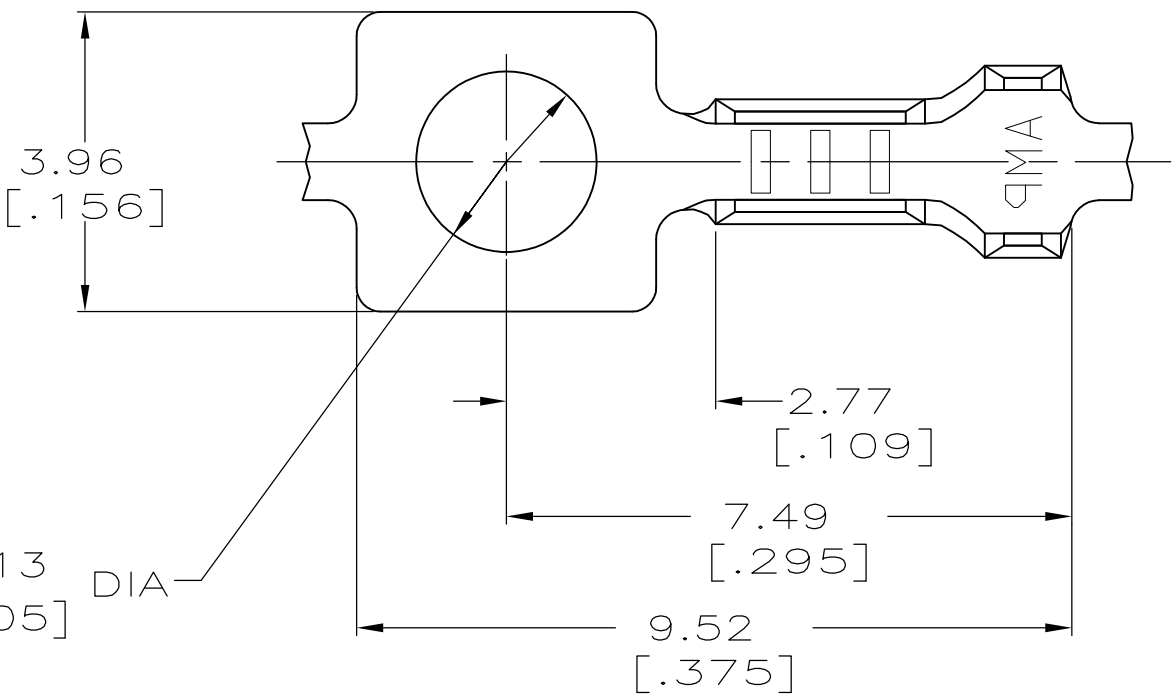
Email & Skype: info@chipsmall.com Web: www.chipsmall.com

Address: A1208, Overseas Decoration Building, #122 Zhenhua RD., Futian, Shenzhen, China



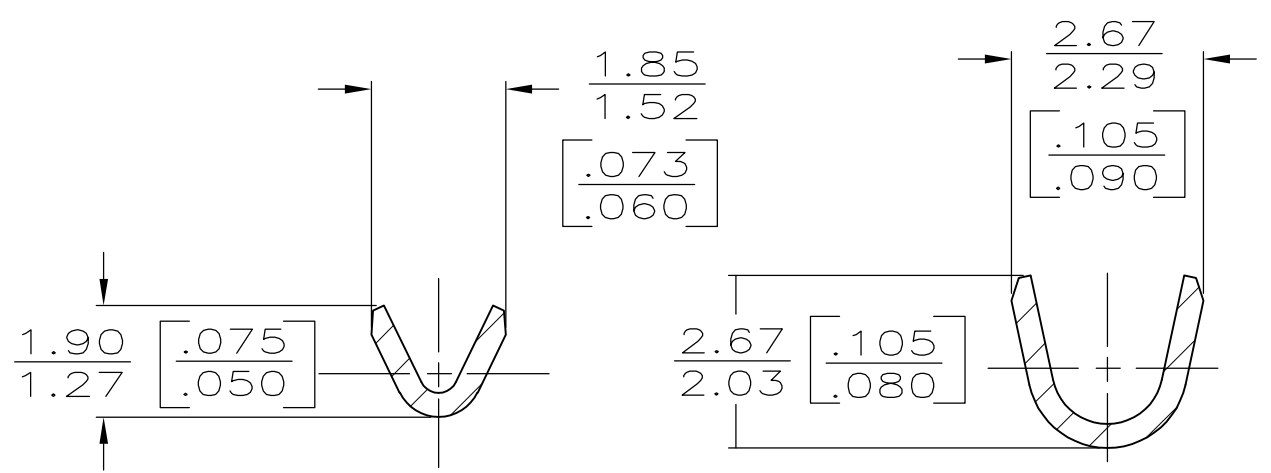
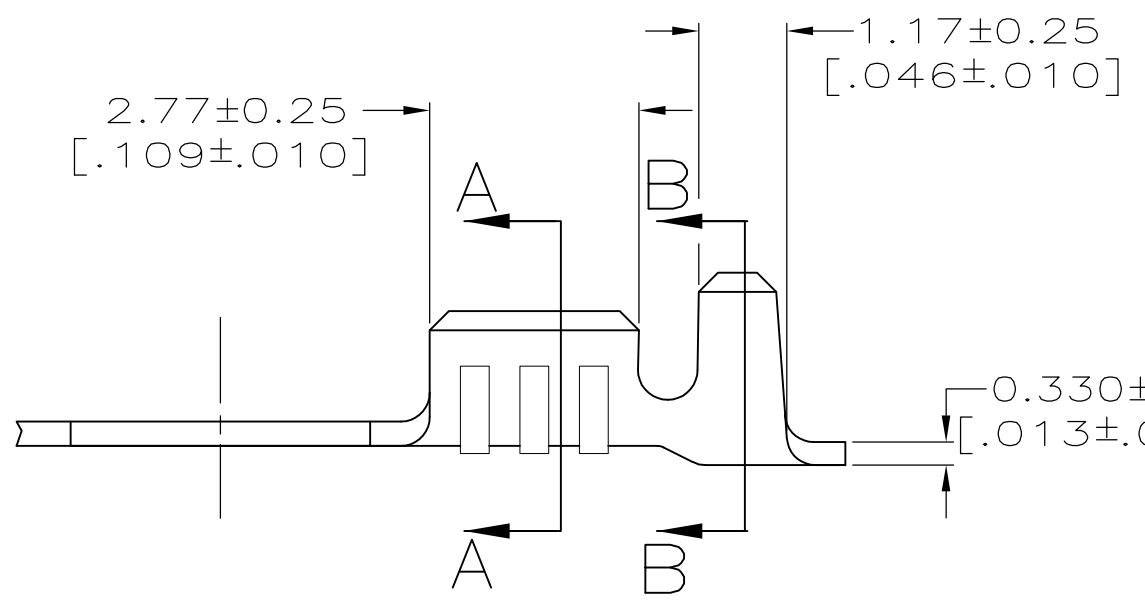
THIS DRAWING IS UNPUBLISHED. RELEASED FOR PUBLICATION  
 © COPYRIGHT BY TYCO ELECTRONICS CORPORATION. ALL RIGHTS RESERVED.

LOC	DIST	REVISIONS					
AF	50	P	LTR	DESCRIPTION	DATE	DWN	APVD
			F4	REVISED PER ECR-07-029509	10DEC07	HMR	DD



- 1 CONTINUOUS STRIP ON REELS.
- 2 .000100-.000200 GOLD PLATING OVER .000200 MIN NICKEL UNDERPLATE.

2.39±0.13  
[.094±.005] DIA



SECTION A-A  
SCALE 10:1

SECTION B-B  
SCALE 10:1

**METRIC**

0	2.29 [.090]	3.94 [.155]	F	1.40 [.055]	0.79 [.03]	0.2mm <sup>2</sup> [24]
					0.76 [.03]	0.14mm <sup>2</sup> [26]
TYPE	WIDTH	STRIP LENGTH ±0.38 [±.015]	TYPE	WIDTH	±0.051 [±.002] HEIGHT	WIRE
INSUL BARREL CRIMP			WIRE BARREL CRIMP			

△2	0.89-1.65 [.035-.065]	0.14mm <sup>2</sup> -0.2mm <sup>2</sup> [26-24] AWG	61653-2
-	0.89-1.65 [.035-.065]	0.14mm <sup>2</sup> -0.2mm <sup>2</sup> [26-24] AWG	61653-1
FINISH	INSULATION RANGE	WIRE SIZE	PART NO
THIS DRAWING IS A CONTROLLED DOCUMENT.			
DIMENSIONS: INCHES		TOLERANCES UNLESS OTHERWISE SPECIFIED:	
		0 PLC ± - 1 PLC ± - 2 PLC ± - 3 PLC ± 0.38 [.015] 4 PLC ± - ANGLES ± -	
MATERIAL: #1 HARD BRASS		FINISH: SEE TABLE	
DWN: RAGHAVENDRA 19APR07	Tyco Electronics Corporation, Harrisburg, PA 17105-3608		
CHK: D F DECKER 19APR07	RING		
APVD: D F DECKER 19APR07	NAME: _____		
PRODUCT SPEC: _____	SIZE: A3		
APPLICATION SPEC: _____	CAGE CODE: 00779		
WEIGHT: -	DRAWING NO: C-61653		
CUSTOMER DRAWING		SCALE: 10:1	SHEET: 1 OF 1
		RESTRICTED TO: -	REV: F4