



Chipsmall Limited consists of a professional team with an average of over 10 year of expertise in the distribution of electronic components. Based in Hongkong, we have already established firm and mutual-benefit business relationships with customers from,Europe,America and south Asia,supplying obsolete and hard-to-find components to meet their specific needs.

With the principle of “Quality Parts,Customers Priority,Honest Operation,and Considerate Service”,our business mainly focus on the distribution of electronic components. Line cards we deal with include Microchip,ALPS,ROHM,Xilinx,Pulse,ON,Everlight and Freescale. Main products comprise IC,Modules,Potentiometer,IC Socket,Relay,Connector.Our parts cover such applications as commercial,industrial, and automotives areas.

We are looking forward to setting up business relationship with you and hope to provide you with the best service and solution. Let us make a better world for our industry!



## Contact us

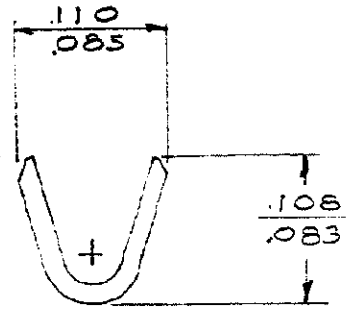
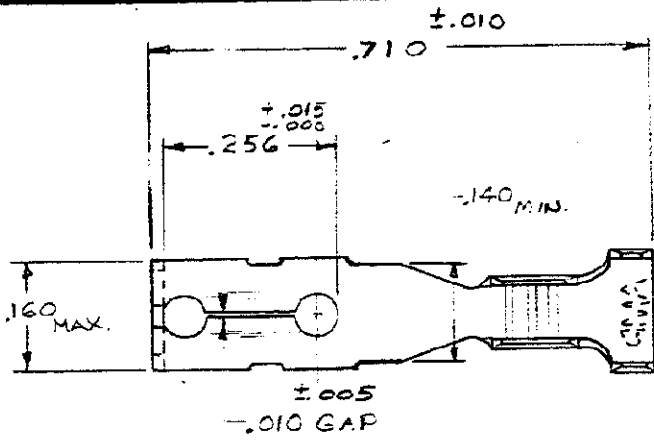
Tel: +86-755-8981 8866 Fax: +86-755-8427 6832

Email & Skype: info@chipsmall.com Web: www.chipsmall.com

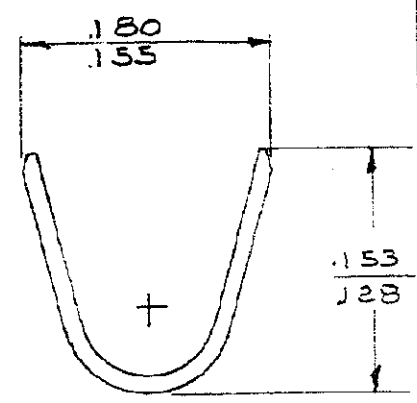
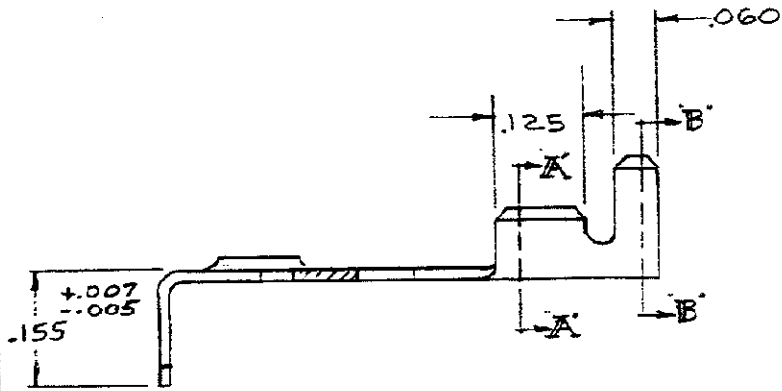
Address: A1208, Overseas Decoration Building, #122 Zhenhua RD., Futian, Shenzhen, China



NUMBER  
61656

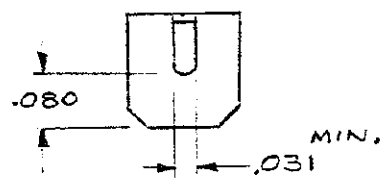


SECT. A-A



SECT. B-B

TERMINAL  
NUMBER  
61656-1



FRONT VIEW

DIMENSIONS IN INCHES. DO NOT SCALE PRINT.

©1969 BY AMP INCORPORATED. ALL RIGHTS RESERVED. AMP PRODUCTS COVERED BY PATENTS AND/OR PATENTS PENDING.

CUSTOMER COPY  
REFERENCE ONLY

C	Revised A 47	AP	2/1/69
B	RELEASED REVISED 1600	NEN	4/1/69
A	REVISED	AP	1507 4/24/69
WRS P.30484-1			
DR	REVISION RECORD		DATE
DR	N.E. NEFF		5-28-69
DR	DIMPETZ-SKY		5-28-69
CHK	APP		

MATERIAL AND FINISH  
.012 PH-BRONZE  
NONE

**AMP** AMP INCORPORATED  
HARRISBURG, PENNA.

WIRE RANGE INSULATION  
22-18 .075-.110

CLASS         
TYPE       

TOLERANCE EXCEPT AS NOTED  
= .015 ± 1° 0'

LOC AF A NO 61656 REV C

NAME CLIP, TAB

PRINT 50