



Chipsmall Limited consists of a professional team with an average of over 10 year of expertise in the distribution of electronic components. Based in Hongkong, we have already established firm and mutual-benefit business relationships with customers from,Europe,America and south Asia,supplying obsolete and hard-to-find components to meet their specific needs.

With the principle of “Quality Parts,Customers Priority,Honest Operation,and Considerate Service”,our business mainly focus on the distribution of electronic components. Line cards we deal with include Microchip,ALPS,ROHM,Xilinx,Pulse,ON,Everlight and Freescale. Main products comprise IC,Modules,Potentiometer,IC Socket,Relay,Connector.Our parts cover such applications as commercial,industrial, and automotives areas.

We are looking forward to setting up business relationship with you and hope to provide you with the best service and solution. Let us make a better world for our industry!



Contact us

Tel: +86-755-8981 8866 Fax: +86-755-8427 6832

Email & Skype: info@chipsmall.com Web: www.chipsmall.com

Address: A1208, Overseas Decoration Building, #122 Zhenhua RD., Futian, Shenzhen, China



IEC Appliance Inlet C16, Screw-on Mounting, Front Side, Screw-on Terminal



Description

- Panel Mount:
Screw-on mounting, Front Side
- 1 Function:

- Appliance Inlet, Pin temperature 120 °C, Protection class I
- Clip for Pins

Approvals

- UL File Number: E96454
- CSA File Number: 27324

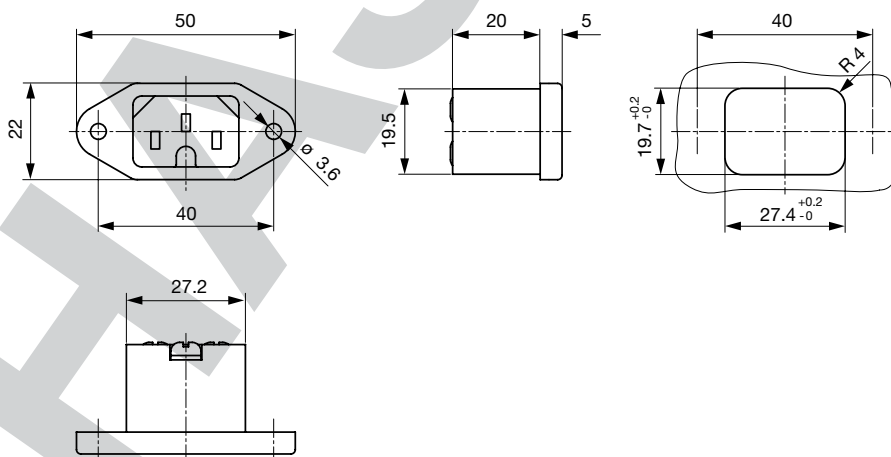
References

We recommend for new applications the new type [6110-3](#)
Last order date: 11.03.2016

Technical Data

Ratings IEC	10A / 250VAC; 50Hz	Appliance Inlet	C16 acc. to IEC 60320-1 UL 498, CSA C22.2 no. 42 (For hot conditions) pin-temperature 120 °C, 10A, Protection Class I
Ratings UL/CSA	15A / 250VAC; 60Hz		
Dielectric Strength	> 3kVAC between L-N > 1.5kVAC between L/N-PE (1 min/50Hz)		
Allowable Operation Temp.	-25 °C to 120 °C		
Degree of Protection	IP 20 acc. to		
Protection Class	Suitable for appliances with protection class I acc. to IEC 61140		
Material: Housing	black or grey, UL 94V-0		

Dimensions



Length of the terminal please find at the order code configuration table

Config. Code

0164 - H - A B C 0 - D - E 0

The characters are placeholders for the correspondingly keys of selections from the key tables.

0164 - **H** - A B C 0 - D - E 0 = Type

Type	Configuration key
protection class I	X

0164 - H - **A** B C 0 - D - E O = Terminals

Terminal L	Configuration key
screw terminal	A

0164 - H - A **B** C 0 - D - E O = Terminals

Terminal N	Configuration key
screw terminal	A

Symbols similar as in table A

0164 - H - A B **C** 0 - D - E O = Terminals

Terminal Ground	Configuration key
screw terminal	A

Symbols similar as in table A

0164 - H - A B C 0 - **D** - E O = Color

Color	Configuration key
Black	A
Grey	C

0164 - H - A B C 0 - D - **E** O = Style

Style	Configuration key
flange with countersunk holes	1
flange with through holes	2

0164 - H - A B C 0 - D - E **O** = Features

Features	Configuration key
without V-Lock	
V-Lock	V

All Variants

Config. Code	Description	Order Number
0164-X-AAA0-A-2	0164, IEC Appliance Inlet C16, 120°C, version: protection class I, L: screw terminal, N: screw terminal, ground: screw terminal, color: Black, design: flange with through holes, dimension S: , features:	6167.0007

The listed variants should be available from stock Other versions on request www.schurter.com/contact

Availability for all products can be searched real-time: <http://www.schurter.com/Stock-Check/Stock-Check-SCHURTER>

Packaging unit 50 Pcs

Mating Outlets/Connectors

Category / Description

[Connector Overview complete](#)



IEC Connector C15 for hot conditions 120°C, Rewireable, Straight	4781
IEC Connector C15, Rewireable, Straight	8101
IEC Connector C15 for hot conditions 120°C, Rewireable, Angled	4784
IEC Connector C15A, Rewireable, Straight	0102
IEC Connector C15A, Rewireable, Straight	0102-G
Connector further types to 0164	...