



Chipsmall Limited consists of a professional team with an average of over 10 year of expertise in the distribution of electronic components. Based in Hongkong, we have already established firm and mutual-benefit business relationships with customers from,Europe,America and south Asia,supplying obsolete and hard-to-find components to meet their specific needs.

With the principle of “Quality Parts,Customers Priority,Honest Operation,and Considerate Service”,our business mainly focus on the distribution of electronic components. Line cards we deal with include Microchip,ALPS,ROHM,Xilinx,Pulse,ON,Everlight and Freescale. Main products comprise IC,Modules,Potentiometer,IC Socket,Relay,Connector.Our parts cover such applications as commercial,industrial, and automotives areas.

We are looking forward to setting up business relationship with you and hope to provide you with the best service and solution. Let us make a better world for our industry!



Contact us

Tel: +86-755-8981 8866 Fax: +86-755-8427 6832

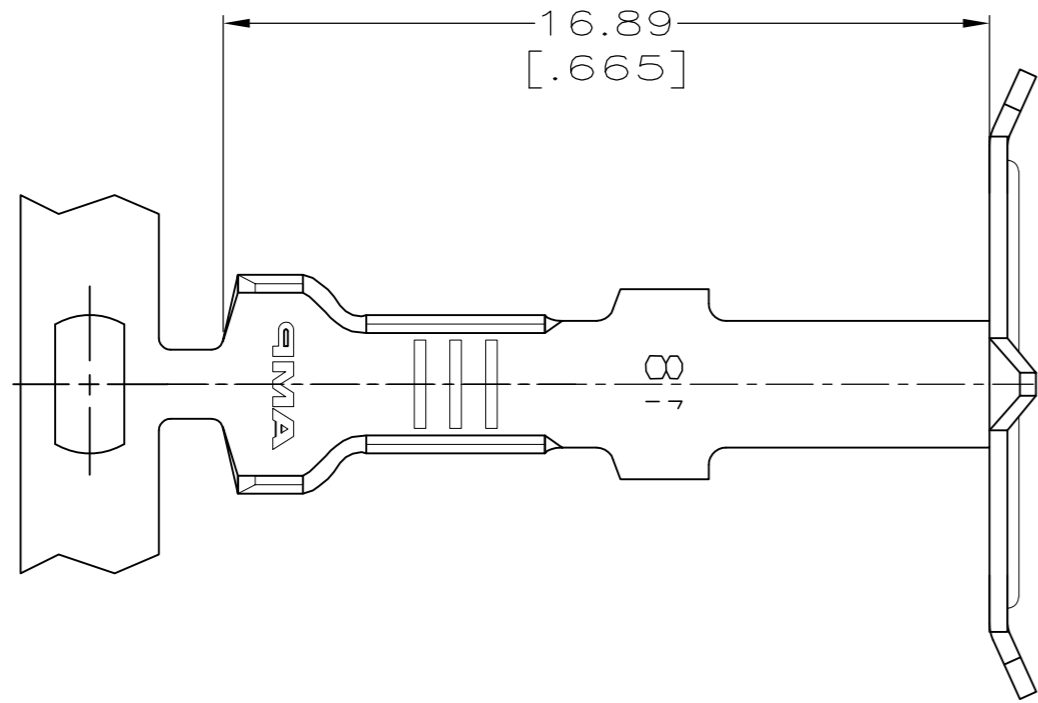
Email & Skype: info@chipsmall.com Web: www.chipsmall.com

Address: A1208, Overseas Decoration Building, #122 Zhenhua RD., Futian, Shenzhen, China

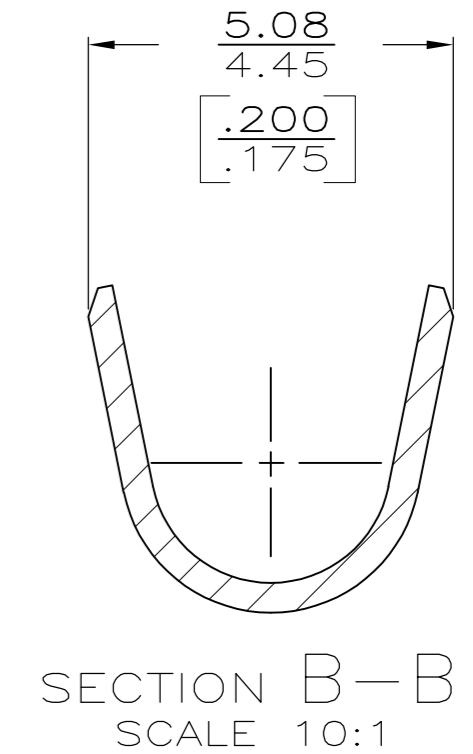
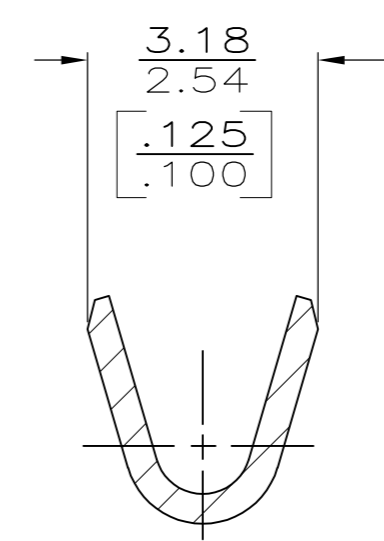
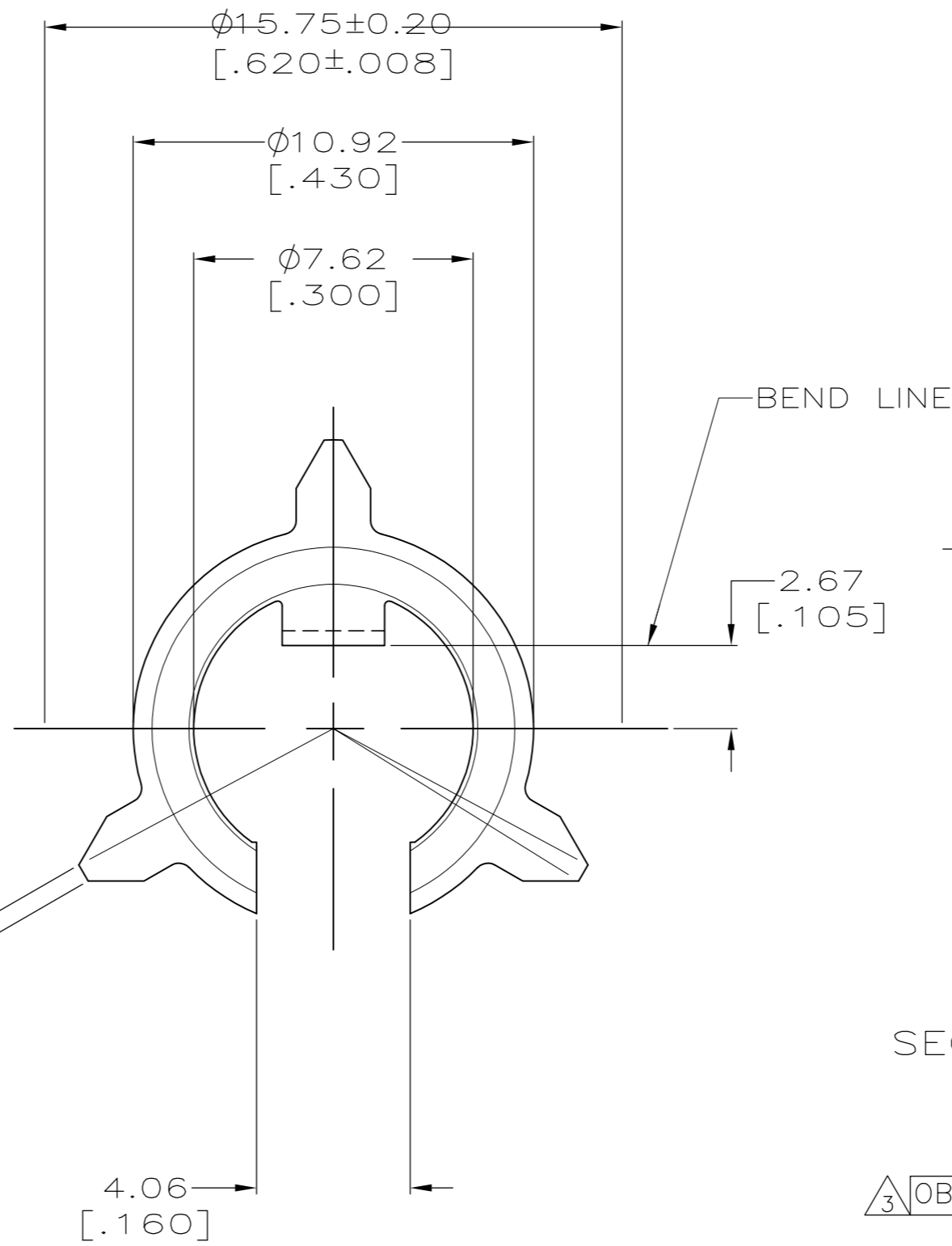
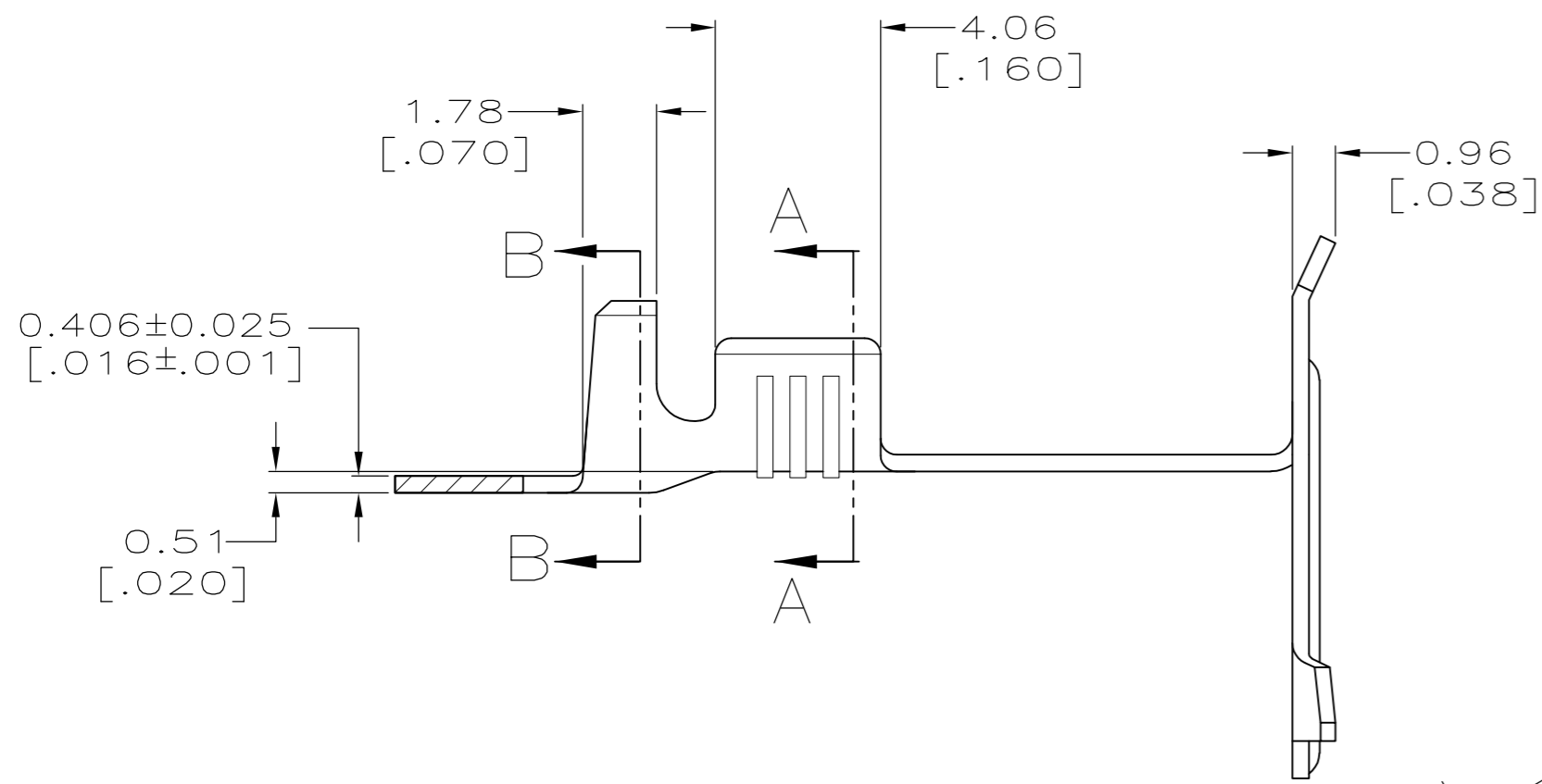


THIS DRAWING IS UNPUBLISHED. RELEASED FOR PUBLICATION .19
 © COPYRIGHT 19 BY AMP INCORPORATED. ALL RIGHTS RESERVED.

LOC	DIST	REVISIONS			
P	LTR	DESCRIPTION	DATE	DWN	APVD
AF	50				
		E	REVISED AND REDRAWN PER OG1A-0351-98	05OCT98	PF DD
		E1	REVISED PER ECO-09-020932	07SEP09	KK AEG



- 1 CONTINUOUS STRIP ON REEL.
- 2 P/N 61760-2 IS REVERSE REELED.
- 3 OBSOLETE PARTS: OBSOLETE CIS STREAMLINING PER D.RENAUD/D.SINISI



3 OBSOLETE	3.56 [0.140] MAX DIA	20-16 AWG	2 61760-2
	INSULATION RANGE	WIRE RANGE	61760-1
			PART NUMBER

THIS DRAWING IS A CONTROLLED DOCUMENT.		DWN 05OCT98 PHILLIP M FORTNEY	AMP Incorporated Harrisburg, PA 17105-3608	
DIMENSIONS: mm [INCHES]		CHK 05OCT98 JEFF R RUTH	NAME	
TOLERANCES UNLESS OTHERWISE SPECIFIED: 0 PLC ±- 1 PLC ±- 2 PLC ±0.25 [.010] 3 PLC ±- 4 PLC ±- ANGLES ±-		APVD 05OCT98 DONALD DECKER	PRODUCT SPEC	
MATERIAL #4HD PHOS BRONZE		FINISH 0.003302[.000130] MAX PRE-TIN PLATE	APPLICATION SPEC	
		WEIGHT	SIZE A2	CAGE CODE 00779
			DRAWING NO 61760	RESTRICTED TO
		CUSTOMER DRAWING	SCALE 6:1	SHEET 1 OF 1
			REV E1	