



Chipsmall Limited consists of a professional team with an average of over 10 year of expertise in the distribution of electronic components. Based in Hongkong, we have already established firm and mutual-benefit business relationships with customers from,Europe,America and south Asia,supplying obsolete and hard-to-find components to meet their specific needs.

With the principle of “Quality Parts,Customers Priority,Honest Operation,and Considerate Service”,our business mainly focus on the distribution of electronic components. Line cards we deal with include Microchip,ALPS,ROHM,Xilinx,Pulse,ON,Everlight and Freescale. Main products comprise IC,Modules,Potentiometer,IC Socket,Relay,Connector.Our parts cover such applications as commercial,industrial, and automotives areas.

We are looking forward to setting up business relationship with you and hope to provide you with the best service and solution. Let us make a better world for our industry!



Contact us

Tel: +86-755-8981 8866 Fax: +86-755-8427 6832

Email & Skype: info@chipsmall.com Web: www.chipsmall.com

Address: A1208, Overseas Decoration Building, #122 Zhenhua RD., Futian, Shenzhen, China



THIS DRAWING IS UNPUBLISHED. RELEASED FOR PUBLICATION
© COPYRIGHT BY TYCO ELECTRONICS CORPORATION. ALL RIGHTS RESERVED.

LOC	DIST	REVISIONS			
P	LTR	DESCRIPTION	DATE	DWN	APVD
AF	50				
	G	REVISED PER 0G3A-0691-02	19DEC02	MF	GP
	G1	REVISED PER ECO-09-021826	05JAN10	KK	AEG

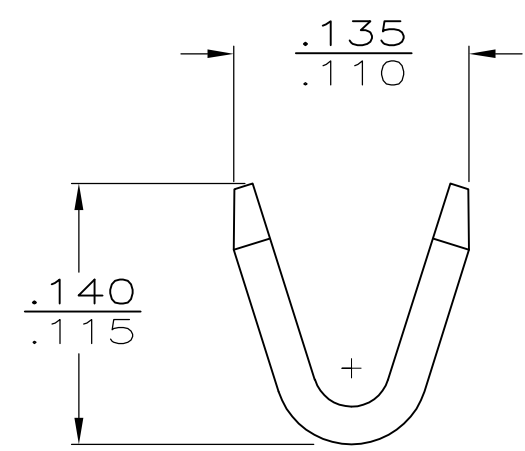
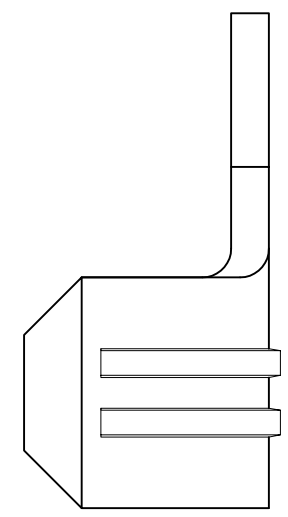
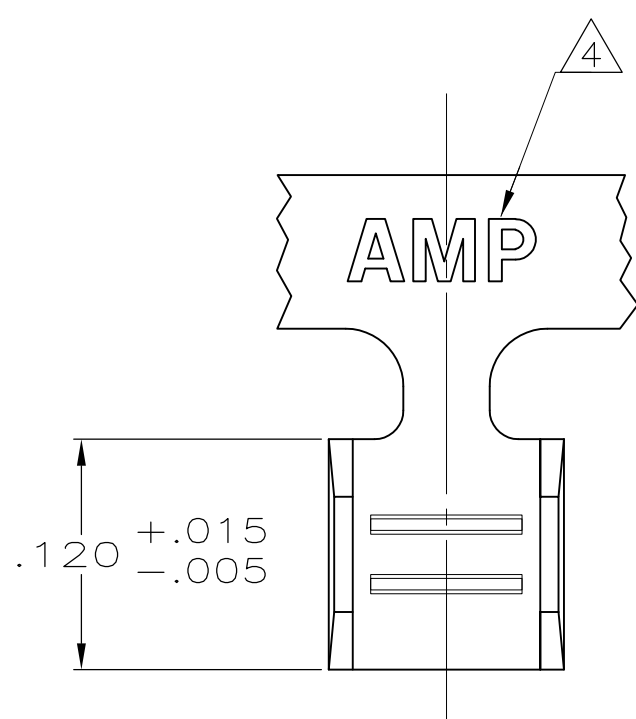
1 CONTINUOUS STRIP ON REELS WITH TERMINALS
LOCATED ON .350 CENTERS.

2 P/N 61769-3 TO BE PACKAGED ON PLASTIC
REELS, 25,000 PER REEL.

3 CRIMP WIDTH: .090 F TYPE
CRIMP HEIGHT: (±.002) = (TOTAL CMA + 8300) / 145,800
FOR APPLICATOR INFORMATION CALL: 1-800-722-1111
FOR PRODUCT INFORMATION CALL: 1-800-522-6752

4 PRELIMINARY - NOT FOR PRODUCTION.

5 OBSOLETE PARTS: OBSOLETE CIS STREAMLINING
PER D.RENAUD/D.SINISI



WIRE SIZE CMA	FINISH	MATERIAL	PART NUMBER
		.020 STAINLESS STEEL	61769-4
		.020 BRASS	61769-3
1200-2600	NICKEL	.020 STEEL	61769-2
		.020 BRASS	61769-1

5 OBSOLETE

THIS DRAWING IS A CONTROLLED DOCUMENT.		DWN MICHAEL S. FEHER 19DEC2002	Tyco Electronics Corporation Harrisburg, PA 17105-3608	
DIMENSIONS: INCHES	TOLERANCES UNLESS OTHERWISE SPECIFIED:	CHK GARY PORTA 19DEC2002	NAME -	
	0 PLC ± -	APVD GARY PORTA 19DEC2002	PRODUCT SPEC -	
	1 PLC ± -	APPLICATION SPEC -	SIZE A3	
MATERIAL SEE TABLE	FINISH SEE TABLE	WEIGHT -	CAGE CODE 00779	DRAWING NO G-61769
CUSTOMER DRAWING			RESTRICTED TO -	SCALE 10:1
			SHEET 1 OF 1	REV G1