



Chipsmall Limited consists of a professional team with an average of over 10 year of expertise in the distribution of electronic components. Based in Hongkong, we have already established firm and mutual-benefit business relationships with customers from,Europe,America and south Asia,supplying obsolete and hard-to-find components to meet their specific needs.

With the principle of “Quality Parts,Customers Priority,Honest Operation,and Considerate Service”,our business mainly focus on the distribution of electronic components. Line cards we deal with include Microchip,ALPS,ROHM,Xilinx,Pulse,ON,Everlight and Freescale. Main products comprise IC,Modules,Potentiometer,IC Socket,Relay,Connector.Our parts cover such applications as commercial,industrial, and automotives areas.

We are looking forward to setting up business relationship with you and hope to provide you with the best service and solution. Let us make a better world for our industry!



## Contact us

Tel: +86-755-8981 8866 Fax: +86-755-8427 6832

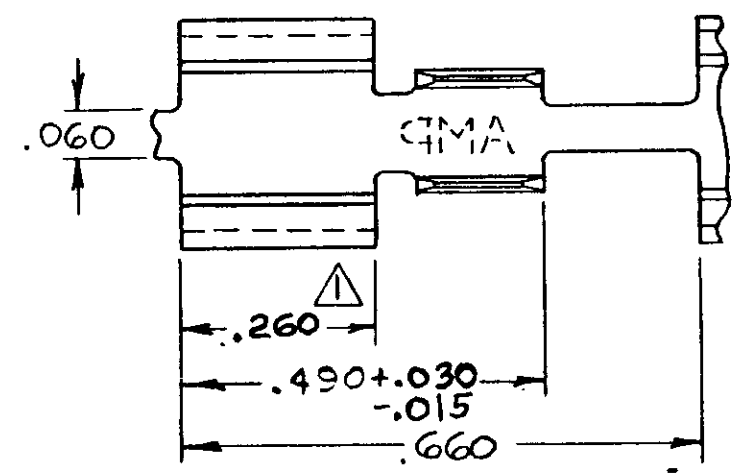
Email & Skype: info@chipsmall.com Web: www.chipsmall.com

Address: A1208, Overseas Decoration Building, #122 Zhenhua RD., Futian, Shenzhen, China

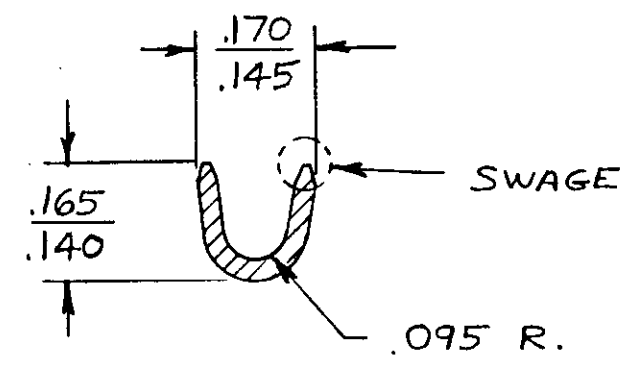
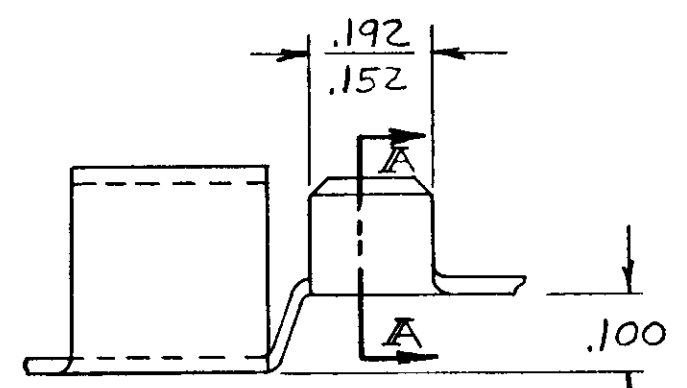
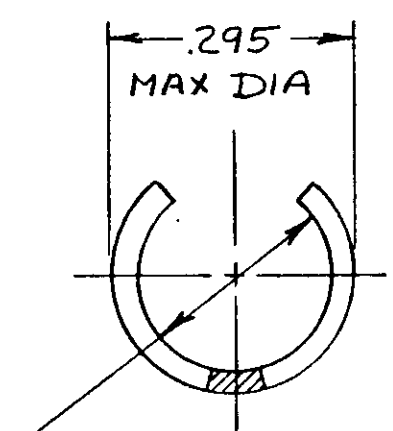


© COPYRIGHT 1969 BY AMP INCORPORATED, HARRISBURG, PA.  
 ALL INTERNATIONAL RIGHTS RESERVED. AMP INCORPORATED PRODUCTS  
 COVERED BY U. S. AND FOREIGN PATENTS AND/OR PATENTS PENDING.

		REVISIONS				
P	F	ZONE	LTR	DESCRIPTION	DATE	APPROVED
✓			G	REV PER ECN CM 54	10/30/84	TB/RS
✓			G1	RESTORED	4/23/85	mc/K
✓			H	OBSOLETE-2 PER CM-868	5-26-87	PKC/TB
✓			J	REVISED PER CM-1467	1-14-88	PKC/RS
			K	REV PER 0710-0427-95	3/27/95	pmf



⚠ CHECK ROUNDNESS AT THE WIRE BARREL END.



SECTION A-A

.239 DIA PIN MUST ENTER  
 .247 DIA PIN MUST HOLD  
 .100 GM. WEIGHT. .245 DIA.  
 .241  
 .003

	.020 BE.CU.	NICKEL PL.	16-14 AWG.	61792-1
	MATERIAL	FINISH	WIRE RANGE	PART NO
UNLESS OTHERWISE SPECIFIED DIMENSIONS ARE IN INCHES. TOLERANCES ON: DECIMALS ±.015 ANGLES ± 1°	CONTRACT NO	AMP INCORPORATED Harrisburg, Pa.		
	DR 2-28-80 D.A. SALTZER			
MATERIAL	CHKD D.S. Heide 2/28/80	NAME		
SEE TABLE	APPD [Signature]	RECEPTACLE, .250 FUSE		
FINISH	APPD	SIZE	CODE IDENT NO	DRAWING NO
SEE TABLE	DSGN APPD	B	00779	61792
	OTHER APPD	SCALE 4:1		SHEET