



Chipsmall Limited consists of a professional team with an average of over 10 year of expertise in the distribution of electronic components. Based in Hongkong, we have already established firm and mutual-benefit business relationships with customers from,Europe,America and south Asia,supplying obsolete and hard-to-find components to meet their specific needs.

With the principle of "Quality Parts,Customers Priority,Honest Operation,and Considerate Service",our business mainly focus on the distribution of electronic components. Line cards we deal with include Microchip,ALPS,ROHM,Xilinx,Pulse,ON,Everlight and Freescale. Main products comprise IC,Modules,Potentiometer,IC Socket,Relay,Connector.Our parts cover such applications as commercial,industrial, and automotives areas.

We are looking forward to setting up business relationship with you and hope to provide you with the best service and solution. Let us make a better world for our industry!



Contact us

Tel: +86-755-8981 8866 Fax: +86-755-8427 6832

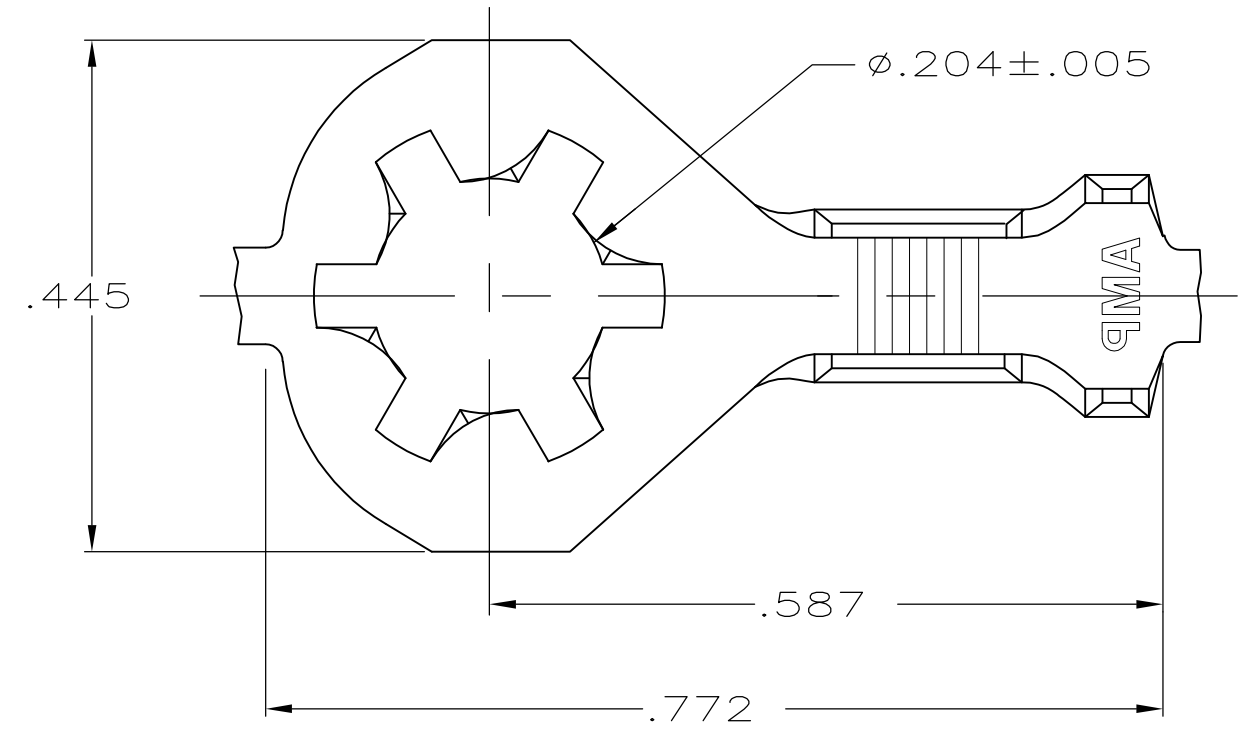
Email & Skype: info@chipsmall.com Web: www.chipsmall.com

Address: A1208, Overseas Decoration Building, #122 Zhenhua RD., Futian, Shenzhen, China

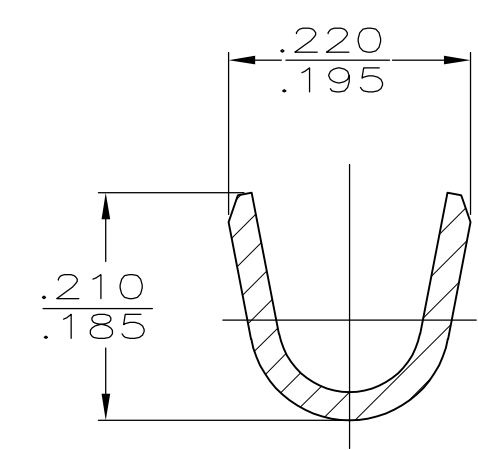
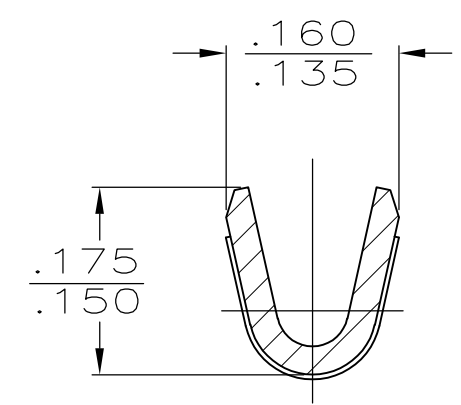


THIS DRAWING IS UNPUBLISHED. RELEASED FOR PUBLICATION
 © COPYRIGHT - By - ALL RIGHTS RESERVED.

LOC	DIST	REVISIONS			
P	LTR	DESCRIPTION	DATE	DWN	APVD
AF	50	P3	REVISED PER ECO-11-004820	11MAR11	RK HMR

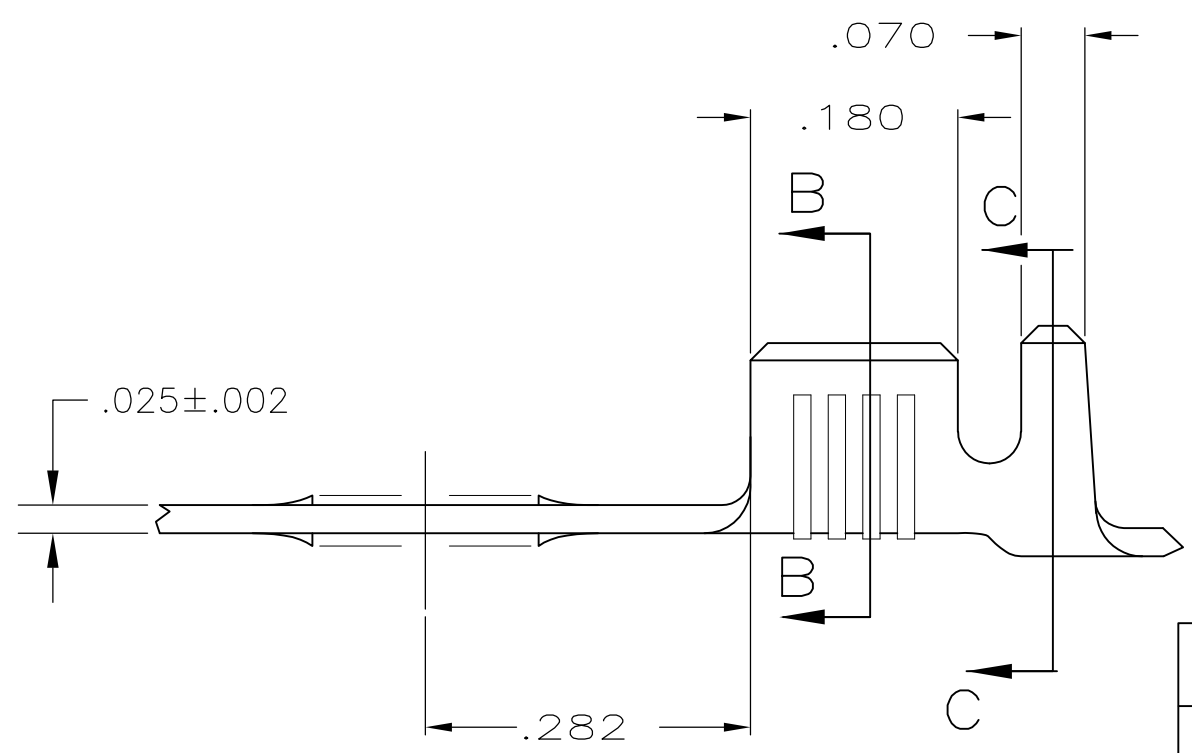


- 1 CONTINUOUS STRIP ON REELS
- 2 TIN PLATING.
- 3 WIRE SIZE IS #18-#14 AWG
- 4 INSULATION RANGE IS .105-.145 DIA
- 5 INTERLEAVING PAPER
- 6 PRELIMINARY - NOT FOR PRODUCTION



SECTION B-B

SECTION C-C



FINISH	MATERIAL	PART NO.
5	2 T2 STEEL	6
	H04 BRASS	61795-7
	H04 BRASS	61795-6
OBSOLETE		61795-3
		61795-2
	T2 STEEL	61795-1

THIS DRAWING IS A CONTROLLED DOCUMENT.		DWN D HOLLINGSWORTH 5/15/87	STE TE Connectivity	
DIMENSIONS: INCHES		CHK G YETTER 11/23/87		
TOLERANCES UNLESS OTHERWISE SPECIFIED:		APVD R FRANTZ 12/2/87	NAME	
0 PLC ± -		PRODUCT SPEC	RING	
1 PLC ± -		APPLICATION SPEC	RESTRICTED TO	
2 PLC ± -		WEIGHT	SIZE	CAGE CODE
3 PLC ± .015		—	A3	00779
4 PLC ± -		CUSTOMER DRAWING	DRAWING NO	C-61795
ANGLES ± -		SCALE	SHEET	REV
FINISH		6:1	1 OF 1	P3
SEE TABLE				