



Chipsmall Limited consists of a professional team with an average of over 10 year of expertise in the distribution of electronic components. Based in Hongkong, we have already established firm and mutual-benefit business relationships with customers from,Europe,America and south Asia,supplying obsolete and hard-to-find components to meet their specific needs.

With the principle of “Quality Parts,Customers Priority,Honest Operation,and Considerate Service”,our business mainly focus on the distribution of electronic components. Line cards we deal with include Microchip,ALPS,ROHM,Xilinx,Pulse,ON,Everlight and Freescale. Main products comprise IC,Modules,Potentiometer,IC Socket,Relay,Connector.Our parts cover such applications as commercial,industrial, and automotives areas.

We are looking forward to setting up business relationship with you and hope to provide you with the best service and solution. Let us make a better world for our industry!



## Contact us

Tel: +86-755-8981 8866 Fax: +86-755-8427 6832

Email & Skype: info@chipsmall.com Web: www.chipsmall.com

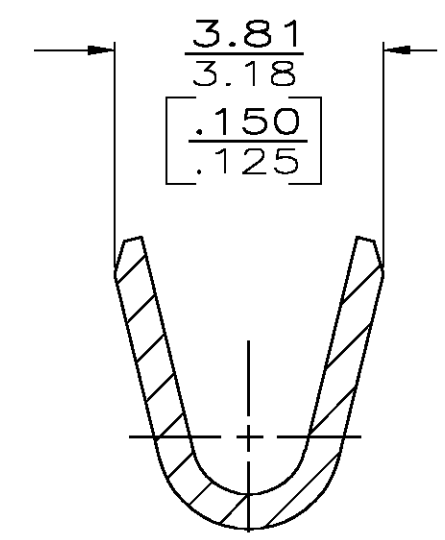
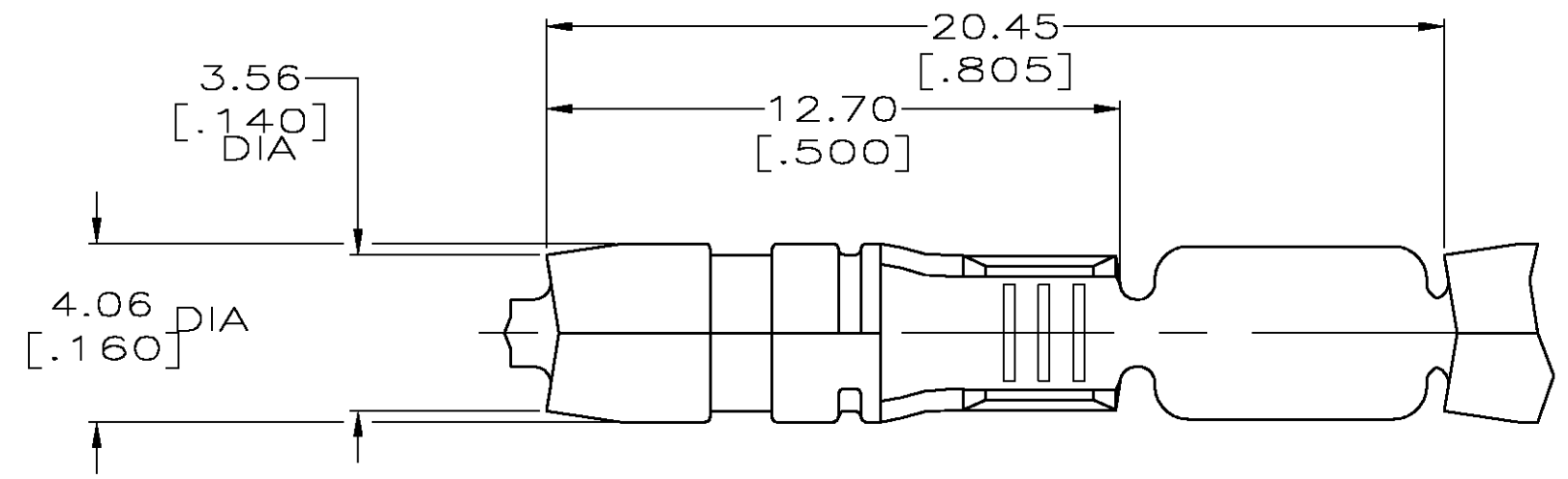
Address: A1208, Overseas Decoration Building, #122 Zhenhua RD., Futian, Shenzhen, China



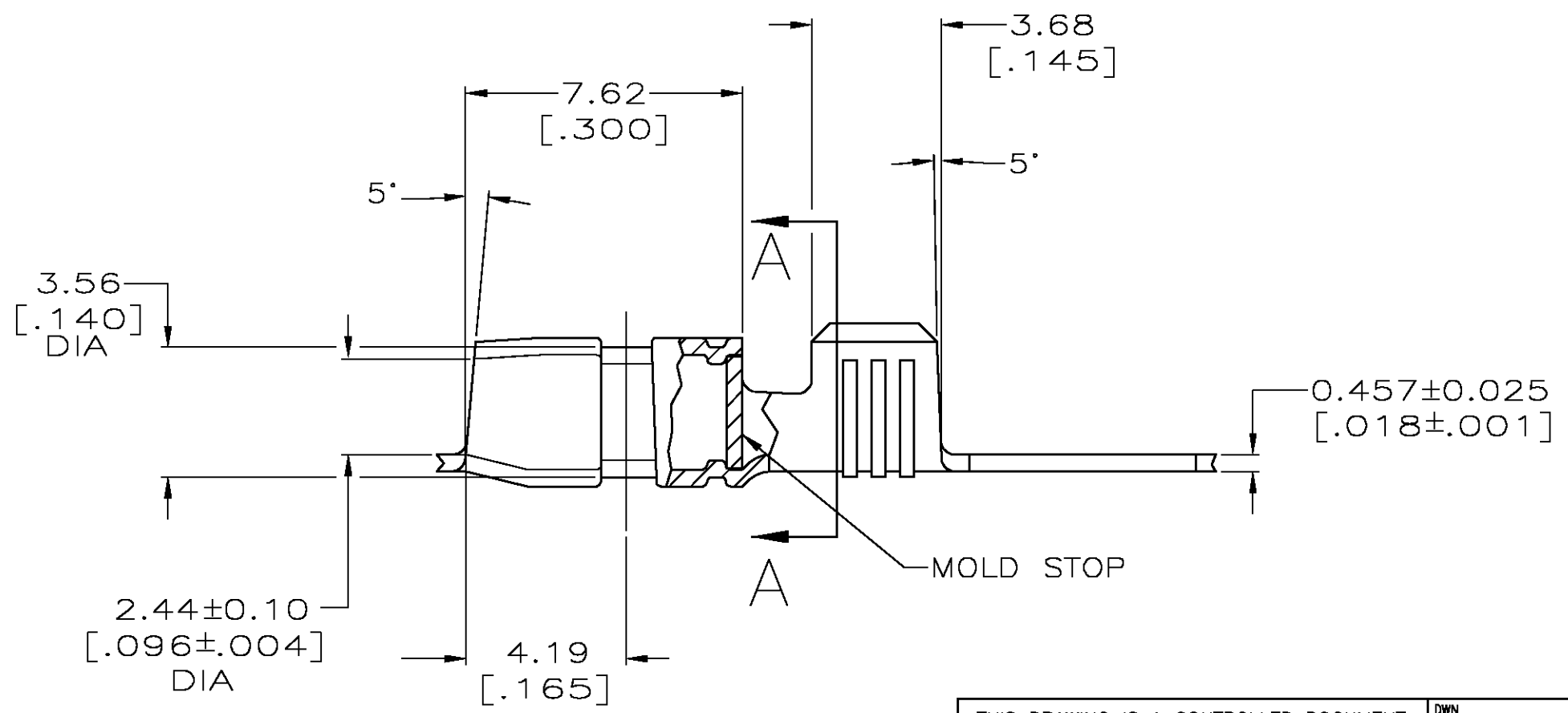
THIS DRAWING IS UNPUBLISHED. RELEASED FOR PUBLICATION  
 © COPYRIGHT BY TYCO ELECTRONICS CORPORATION. ALL RIGHTS RESERVED.

LOC	DIST	REVISIONS			
P	LTR	DESCRIPTION	DATE	DWN	APVD
AF	50	N	REV PER 0G3A-0808-04	18JAN05	JR DD

- 1 CONTINUOUS STRIP ON REEL.
- 2 WIRE SIZE IS [18-14] AWG
- △ 3 0.003302 [.000130] MAX PRE-TIN PL.



SECTION A-A  
SCALE 10:1



61802-1  
PART NO.

THIS DRAWING IS A CONTROLLED DOCUMENT.		DWN PHILLIP M. FORTNEY 30/SEP/94	Tyco Electronics Corporation Harrisburg, Pa 17105-3608	
DIMENSIONS: INCHES		CHK JEFF R. RUTH 30/SEP/94	NAME SHUR PLUG, 3.96 [.156] DIA	
TOLERANCES UNLESS OTHERWISE SPECIFIED: 1' ± -		APVD R KUZO 30/SEP/04	PRODUCT SPEC -	
0 PLC ± -		APPLICATION SPEC -	SIZE A3	CAGE CODE 00779
1 PLC ± -		WEIGHT -	DRAWING NO C-61802	RESTRICTED TO -
2 PLC ± 0.25 [.010]		CUSTOMER DRAWING		
3 PLC ± -		SCALE 6:1	SHEET 1 OF 1	REV N
4 PLC ± -				
ANGLES ± -				
FINISH - △ 3				
MATERIAL 081 BRASS				