



Chipsmall Limited consists of a professional team with an average of over 10 year of expertise in the distribution of electronic components. Based in Hongkong, we have already established firm and mutual-benefit business relationships with customers from,Europe,America and south Asia,supplying obsolete and hard-to-find components to meet their specific needs.

With the principle of "Quality Parts,Customers Priority,Honest Operation,and Considerate Service",our business mainly focus on the distribution of electronic components. Line cards we deal with include Microchip,ALPS,ROHM,Xilinx,Pulse,ON,Everlight and Freescale. Main products comprise IC,Modules,Potentiometer,IC Socket,Relay,Connector.Our parts cover such applications as commercial,industrial, and automotives areas.

We are looking forward to setting up business relationship with you and hope to provide you with the best service and solution. Let us make a better world for our industry!



## Contact us

Tel: +86-755-8981 8866 Fax: +86-755-8427 6832

Email & Skype: info@chipsmall.com Web: www.chipsmall.com

Address: A1208, Overseas Decoration Building, #122 Zhenhua RD., Futian, Shenzhen, China



4

3

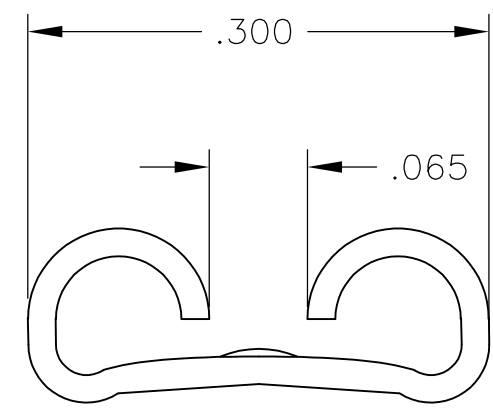
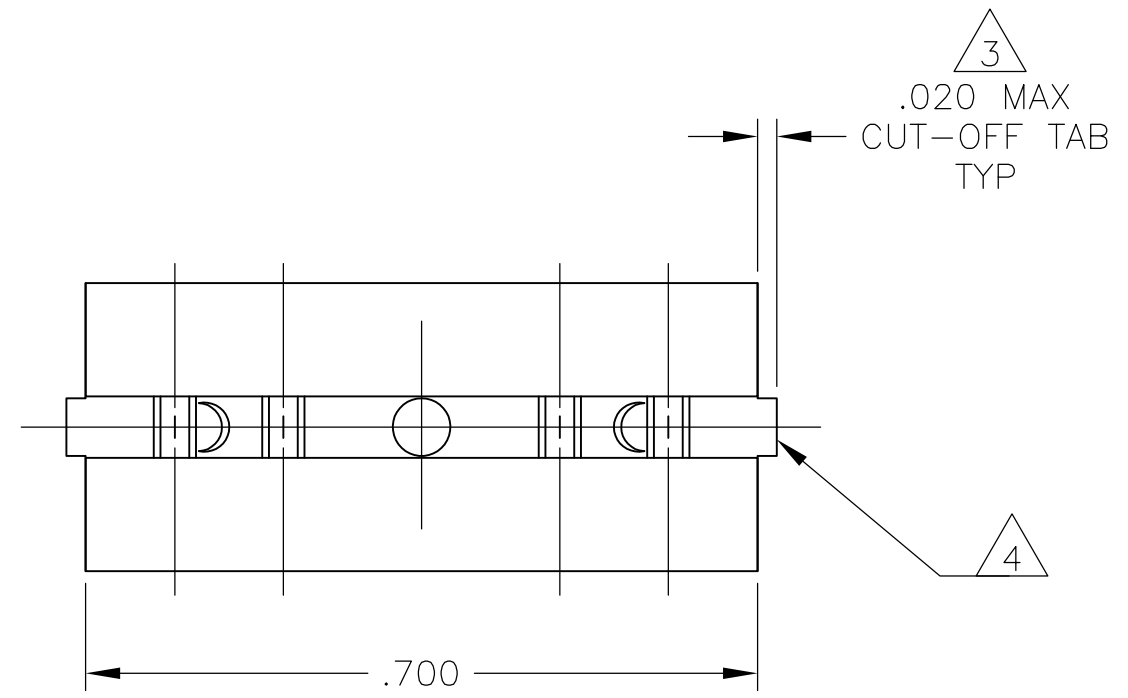
2

1

THIS DRAWING IS UNPUBLISHED. RELEASED FOR PUBLICATION  
 © COPYRIGHT - By - ALL RIGHTS RESERVED.

LOC	DIST	REVISIONS			
P	LTR	DESCRIPTION	DATE	DWN	APVD
AF	50	K	REVISED PER ECR-11-018063	26DEC11	KH PD

- 1 SUPPLIED IN LOOSE PIECE.
- 2 MATING TAB THK IS  $.032 \pm .001$
- 3 LOOSE PIECE AFTER PLATING
- 4 BARE EDGES ARE PERMITTED



3 4	SILVER PLATE	61810-3
	TIN	61810-2
	FINISH	PART NO.

THIS DRAWING IS A CONTROLLED DOCUMENT.		DWN	JR RUTH	7/16/92	<b>TE Connectivity</b>						
DIMENSIONS: INCHES		CHK	MS FEHER	7/16/92				NAME RECEPTACLE, FASTON, .250 SERIES			
TOLERANCES UNLESS OTHERWISE SPECIFIED:		APVD	C MEYERS	7/16/92							PRODUCT SPEC APPLICATION SPEC
0 PLC ± - 1 PLC ± - 2 PLC ± - 3 PLC ± .005 4 PLC ± - ANGLES ± -		MATERIAL						SIZE	CAGE CODE	DRAWING NO	
BRASS		FINISH			A300779			C-61810	SCALE	SHEET	REV
SEE TABLE		CUSTOMER DRAWING			5:1			1 OF 1	K		