



Chipsmall Limited consists of a professional team with an average of over 10 year of expertise in the distribution of electronic components. Based in Hongkong, we have already established firm and mutual-benefit business relationships with customers from,Europe,America and south Asia,supplying obsolete and hard-to-find components to meet their specific needs.

With the principle of “Quality Parts,Customers Priority,Honest Operation,and Considerate Service”,our business mainly focus on the distribution of electronic components. Line cards we deal with include Microchip,ALPS,ROHM,Xilinx,Pulse,ON,Everlight and Freescale. Main products comprise IC,Modules,Potentiometer,IC Socket,Relay,Connector.Our parts cover such applications as commercial,industrial, and automotives areas.

We are looking forward to setting up business relationship with you and hope to provide you with the best service and solution. Let us make a better world for our industry!



Contact us

Tel: +86-755-8981 8866 Fax: +86-755-8427 6832

Email & Skype: info@chipsmall.com Web: www.chipsmall.com

Address: A1208, Overseas Decoration Building, #122 Zhenhua RD., Futian, Shenzhen, China



THIS DRAWING IS UNPUBLISHED.

RELEASED FOR PUBLICATION

ALL RIGHTS RESERVED.

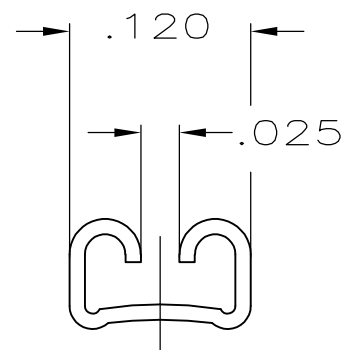
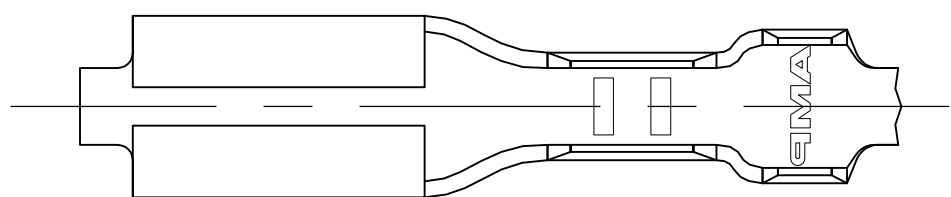
© COPYRIGHT - By -

LOC AF DIST 50

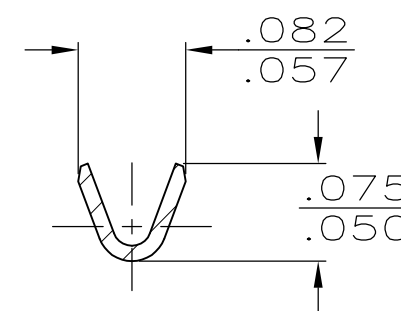
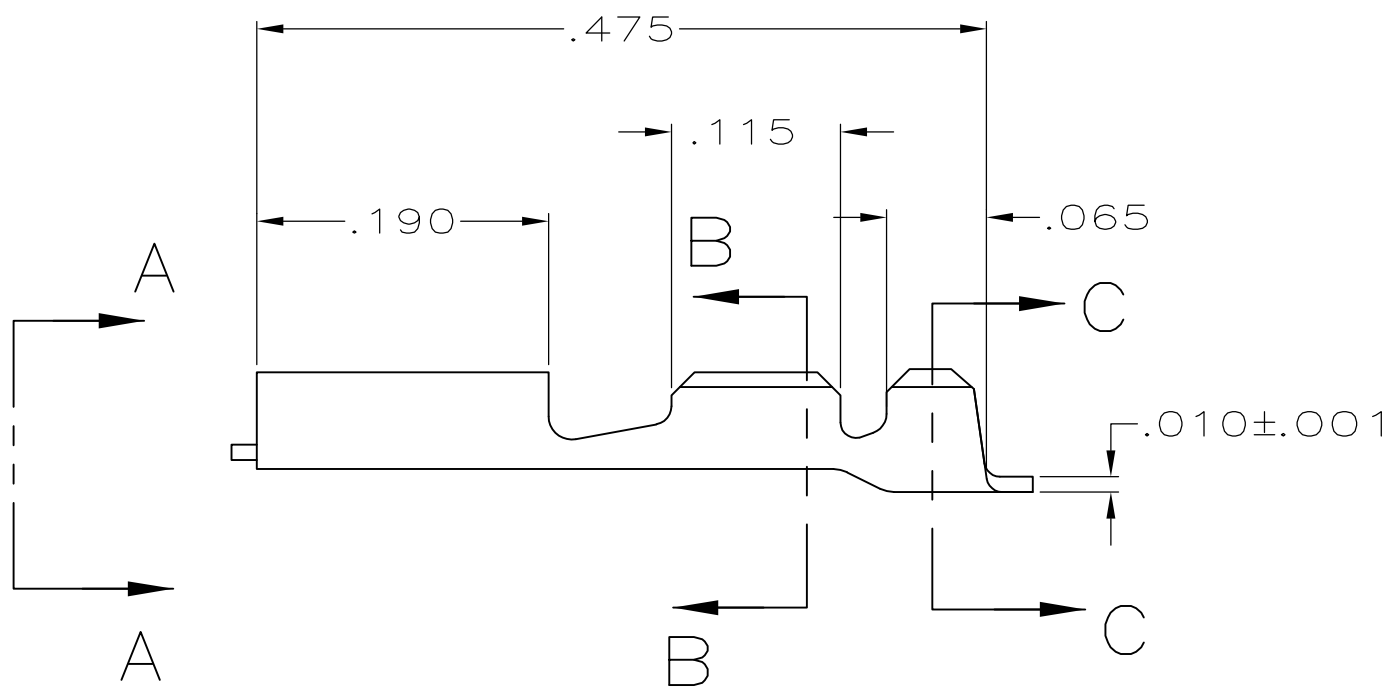
REVISIONS

P	LTR	DESCRIPTION	DATE	DWN	APVD
	F	REVISED PER ECR-12-013459	28NOV2012	KH	PD

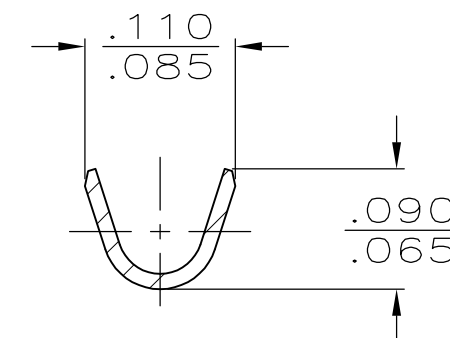
- 1 CONTINUOUS STRIP ON REELS.
- 2 MATING TAB SIZE IS .093 X .032±.001.
- 3 WIRE SIZE IS #26-#22 AWG.
- 4 INSULATION RANGE IS .035-.060 DIA.



VIEW A-A



SECTION B-B



SECTION C-C

61813-1

PART NO.

THIS DRAWING IS A CONTROLLED DOCUMENT.

DWN JR RUTH 8/26/97

CHK MS FEHER 8/26/97

APVD J HUZVAR 8/26/97

PRODUCT SPEC

APPLICATION SPEC

WEIGHT -

CUSTOMER DRAWING

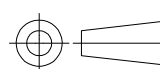
STE TE Connectivity

NAME TAB RECEPTACLE, .093

SIZE A3 CAGE CODE 00779 DRAWING NO C-61813 RESTRICTED TO -

SCALE 8:1 SHEET 1 OF 1 REV F

DIMENSIONS: INCHES



TOLERANCES UNLESS OTHERWISE SPECIFIED:	
0 PLC	± -
1 PLC	± -
2 PLC	± -
3 PLC	± .015
4 PLC	± -
ANGLES	± -
FINISH	PRE-TIN

MATERIAL BRASS