



Chipsmall Limited consists of a professional team with an average of over 10 year of expertise in the distribution of electronic components. Based in Hongkong, we have already established firm and mutual-benefit business relationships with customers from,Europe,America and south Asia,supplying obsolete and hard-to-find components to meet their specific needs.

With the principle of “Quality Parts,Customers Priority,Honest Operation,and Considerate Service”,our business mainly focus on the distribution of electronic components. Line cards we deal with include Microchip,ALPS,ROHM,Xilinx,Pulse,ON,Everlight and Freescale. Main products comprise IC,Modules,Potentiometer,IC Socket,Relay,Connector.Our parts cover such applications as commercial,industrial, and automotives areas.

We are looking forward to setting up business relationship with you and hope to provide you with the best service and solution. Let us make a better world for our industry!



Contact us

Tel: +86-755-8981 8866 Fax: +86-755-8427 6832

Email & Skype: info@chipsmall.com Web: www.chipsmall.com

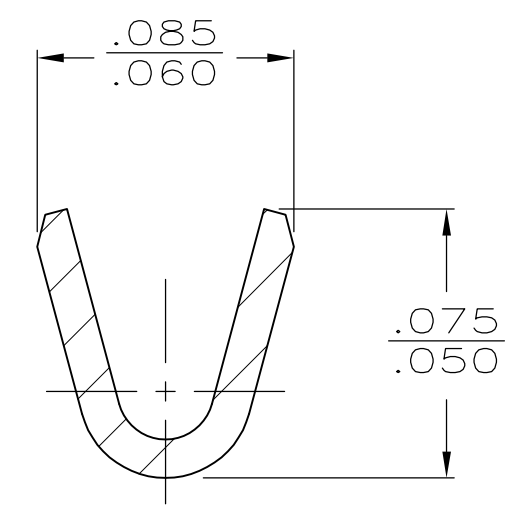
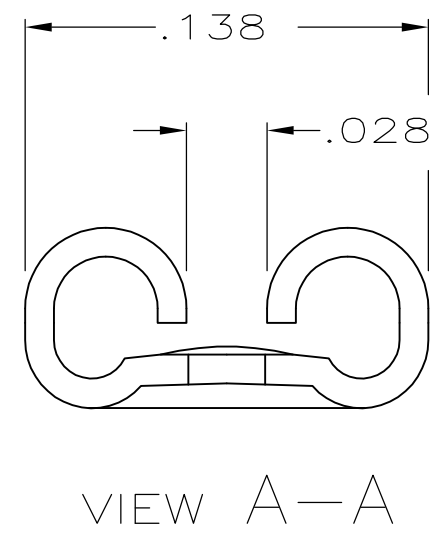
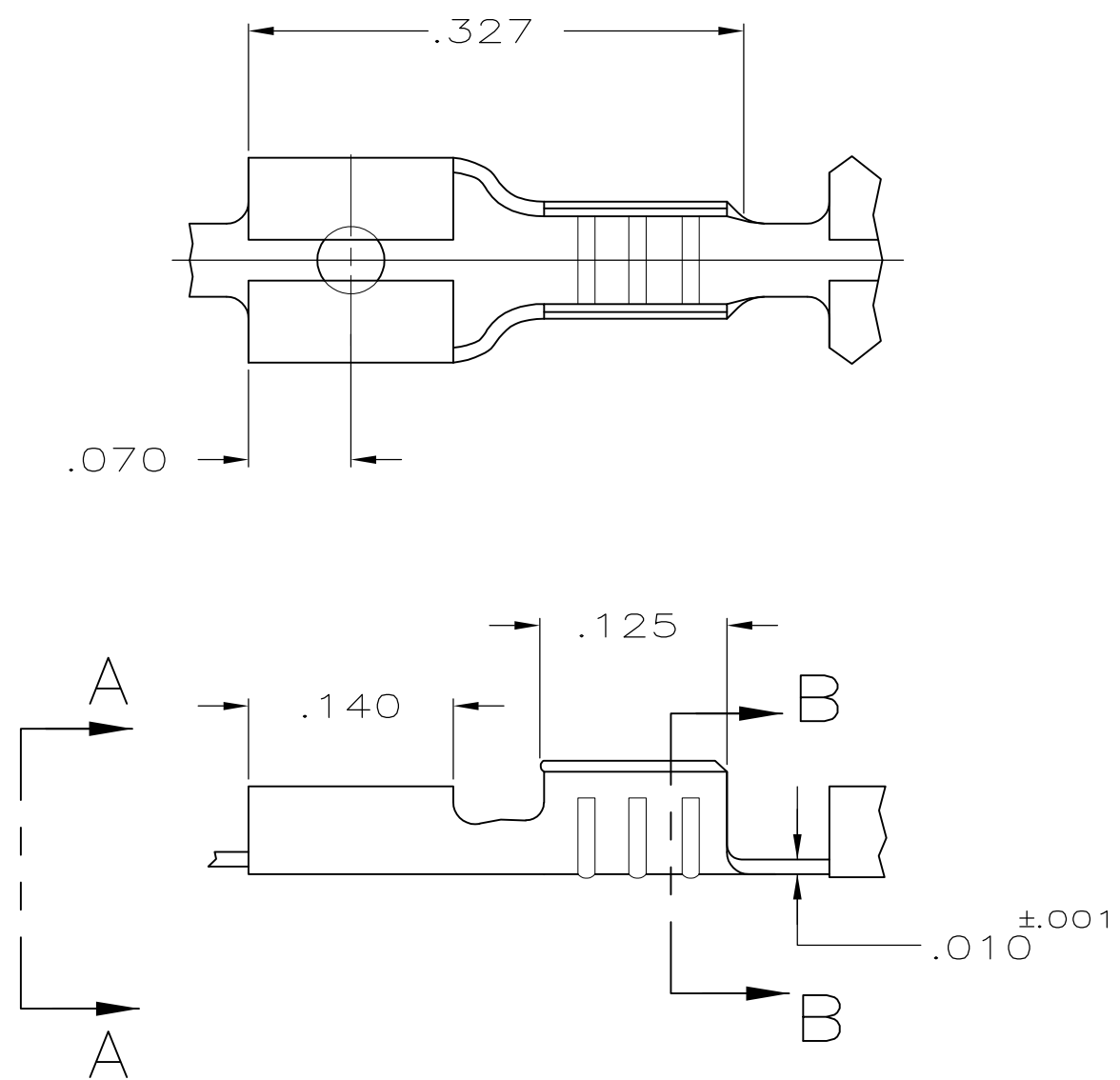
Address: A1208, Overseas Decoration Building, #122 Zhenhua RD., Futian, Shenzhen, China




THIS DRAWING IS UNPUBLISHED. RELEASED FOR PUBLICATION
 © COPYRIGHT - By - ALL RIGHTS RESERVED.

LOC	DIST	REVISIONS			
P	LTR	DESCRIPTION	DATE	DWN	APVD
AF	50	D	REVISED PER ECR-12-013459	28NOV2012	KH PD

- 1 CONTINUOUS STRIP ON REELS.
- 2 WIRE SIZES #26-#22 AWG.
- 3 MATES WITH .016±.001 THK TAB.
- △4 SPECIAL REEL QUANTITY
- △5 PRELIMINARY - NOT FOR PRODUCTION



△4	-	△5 61818-3
	.000050 MIN NICKEL	61818-2
	-	61818-1
	FINISH	PART NO.

THIS DRAWING IS A CONTROLLED DOCUMENT.		DWN	JR RUTH	6/3/96	 TE Connectivity						
DIMENSIONS: INCHES		CHK	MS FEHER	6/3/96				NAME			
TOLERANCES UNLESS OTHERWISE SPECIFIED:		APVD	P DESANTIS	6/3/96							RECEPTACLE, FASTON, .110 SERIES
0 PLC ± - 1 PLC ± - 2 PLC ± - 3 PLC ± .005 4 PLC ± - ANGLES ± 1°		PRODUCT SPEC		RESTRICTED TO							
MATERIAL: BRASS		FINISH: SEE TABLE					WEIGHT	-	SIZE	A3	CAGE CODE
CUSTOMER DRAWING				SCALE	8:1	SHEET	1 OF 1	REV	D		