



Chipsmall Limited consists of a professional team with an average of over 10 year of expertise in the distribution of electronic components. Based in Hongkong, we have already established firm and mutual-benefit business relationships with customers from,Europe,America and south Asia,supplying obsolete and hard-to-find components to meet their specific needs.

With the principle of "Quality Parts,Customers Priority,Honest Operation,and Considerate Service",our business mainly focus on the distribution of electronic components. Line cards we deal with include Microchip,ALPS,ROHM,Xilinx,Pulse,ON,Everlight and Freescale. Main products comprise IC,Modules,Potentiometer,IC Socket,Relay,Connector.Our parts cover such applications as commercial,industrial, and automotives areas.

We are looking forward to setting up business relationship with you and hope to provide you with the best service and solution. Let us make a better world for our industry!



Contact us

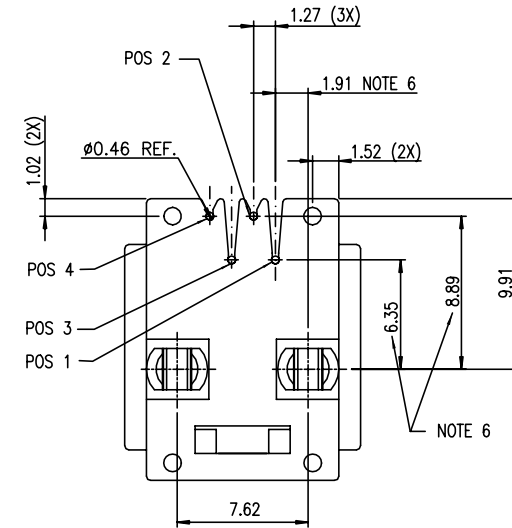
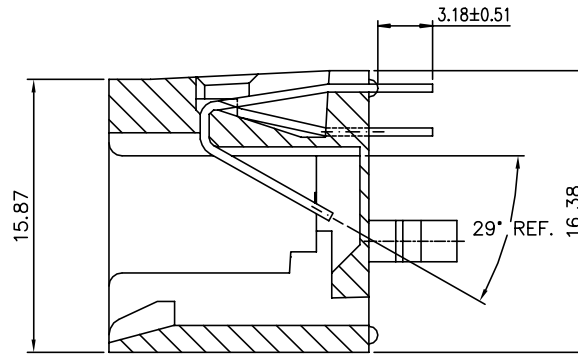
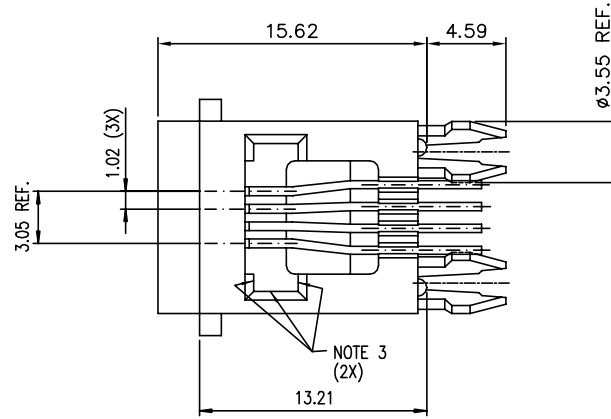
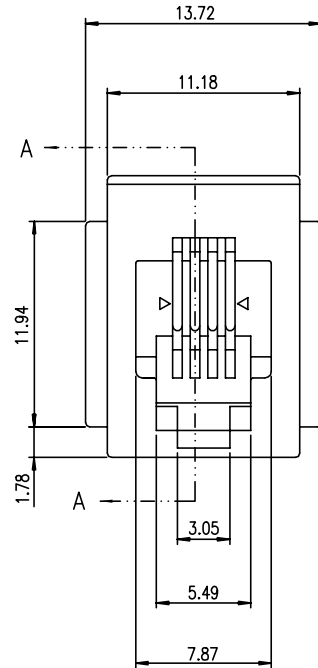
Tel: +86-755-8981 8866 Fax: +86-755-8427 6832

Email & Skype: info@chipsmall.com Web: www.chipsmall.com

Address: A1208, Overseas Decoration Building, #122 Zhenhua RD., Futian, Shenzhen, China



SEE TABLE



SECTION A-A

| | | | | | | | | | |
|--------------|--------------|----------------------|----------|---------------------------------------|------------|--------------------------|-------------------------------|----------------------------|------|
| mat'l. code | | surface ISO1302 ✓ | | tolerance ISO1101 ISO406 | | projection ASME Y14.5 | | product family MOD JACK | |
| l'tec n nodr | | date | | tolerances unless otherwise specified | | mm | | title | |
| D | N04-0023 | D QM | 06/07/04 | angle | 0.X±0.3 | scale 2.0 | | 8 POS HORIZONTAL | |
| E | N04-0102 | IS | 11/23/04 | 0°±2' | 0.XX±0.15 | | | P.C.B. III MOD JACK ASSY | |
| F | N04-0109 | YS | 11/30/04 | | 0.XXX±0.05 | | | dwg no | |
| G | N08-0097 | SH MMQ | 09/24/08 | dr | c L FENG | 02/21/97 | sheet 1 of 2 | | size |
| H | ELX-N-010678 | SH MMQ | 03/14/12 | engr | TONY CHIEN | 02/21/97 | FCI | | A4 |
| | | | | chr | TONY CHIEN | 02/21/97 | 61835 | | |
| | | | | appd | JENN TSAO | 02/21/97 | type Product Customer Drawing | | |
| sheet | revision | H | H | | | | | | |
| index | sheet | 1 | 2 | | | | | | |

| PRODUCT NO. | NO. OF POS | LOADED POS | HSG COLOR |
|-------------|------------|------------|-----------|
| 61835-X441 | 4 | ALL POS | BLACK |
| -X421 | 4 | 3,4 | BLACK |
| -X442 | 4 | ALL POS | GRAY |
| -X422 | 4 | 3,4 | GRAY |

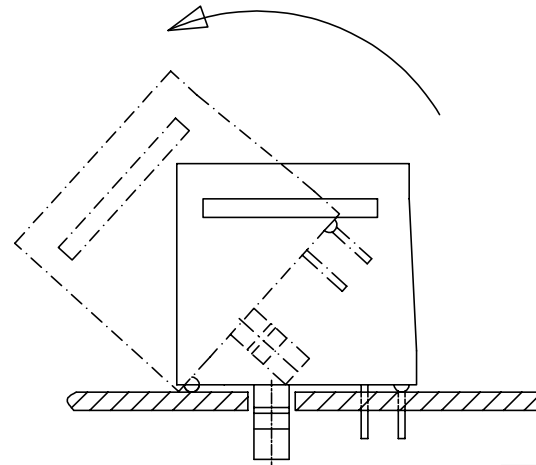
| PLATING CODE X | PLATING |
|----------------|-------------------------------------|
| 0 | 5u" Au + high performance lubricant |
| 1 | 15 u" GOLD |
| 3 | 30 u" GOLD |
| 4 | 6 u" GOLD |
| 5 | 50 u" GOLD |

⑩
⑩
⑩

NOTES:

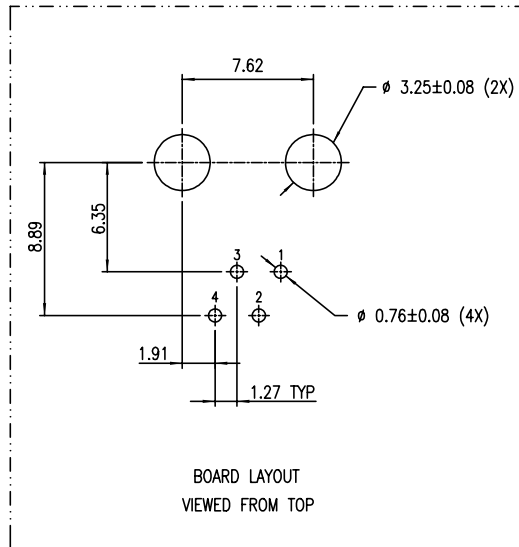
- 1 P/N WITH DASH X4XX -NORMAL WAVE SOLDERING APPLICATION.
- 2 PACKAGING SPEC. GES-14-351. (USING TRAY).
- 3 SCRATCH MARKS ACCEPTABLE ON THESE SURFACES.
- 4 JACK IS FOR 1.57/.062 THICK PCB.
- 5 SHOULD THE JACK NEED TO BE DISMOUNTED FROM THE PCB. PLS REMOVE JACK AS PER RECOMMENDED METHOD HEREIN. (DETAIL A) NIPPING THE LEGS OF THE PEG TOGETHER IS DISALLOWED, OTHERWISE LEG BREAKAGE MAY OCCUR.
- 6 THESE DIMENSIONS ARE MEASURED FROM THE TOP OF THE PEG.
- 7 THIS PRODUCT MEETS EUROPEAN UNION DIRECTIVES AND OTHER COUNTRY REGULATIONS AS DESCRIBED IN GS-22-008
- 8 IF LF P/N PACKSGING MEETS GS-14-920 SPECIFICATION
- 9 THE HOUSING WILL WITHSTAND EXPOSURE TO 260° PEAK TEMPERATURE FOR 10 SECONDS IN A WAVE SOLDER APPLICATION WITH A 1.57mm MINIMUM THICK CIRCUIT BOARD
- ⑩ EQUIVALENT THICKNESS Au AND GXT PLATING HAVE SAME FUNCTION AND THEY ARE ALTERNATIVE BY THE CUSTOEMR .

DIRECTION OF DISMOUNT



JACK DISMOUNT METHOD

DETAIL A
NOTE 5



BOARD LAYOUT
VIEWED FROM TOP

| mat'l. code | | surface | | tolerance | | projection | | product family | |
|---------------------------------------|--------------|---------------------------------------|-----|---------------------------------------|-------|---------------------------------------|-----------|---------------------------------------|--|
| | | ISO1302 | | ISO1101 ISO406 | | mm | | MOD JACK | |
| tolerances unless otherwise specified | | tolerances unless otherwise specified | | tolerances unless otherwise specified | | tolerances unless otherwise specified | | tolerances unless otherwise specified | |
| D | N04-0023 | D | QIN | 06/07/04 | angle | 0.X±0.3 | mm | 8 POS HORIZONTAL | |
| E | N04-0102 | YS | | 11/23/04 | 0°±2' | 0.XX±0.15 | scale 2.0 | P.C.B. III MOD JACK ASSY | |
| F | N04-0109 | YS | | 11/30/04 | | 0.XXX±0.05 | | | |
| G | N08-0097 | SH | MMQ | 09/24/08 | dr | C L FENG | 02/21/97 | sheet 2 of 2 | |
| H | ELX-N-010678 | SH | MMQ | 03/14/12 | engr | TONY CHIEN | 02/21/97 | size A4 | |
| | | | | | chr | TONY CHIEN | 02/21/97 | dwg no 61835 | |
| | | | | | appd | JENN TSAO | 02/21/97 | type Product Customer Drawing | |
| sheet | revision | | | | | | | | |
| index | sheet | | | | | | | | |

