



Chipsmall Limited consists of a professional team with an average of over 10 year of expertise in the distribution of electronic components. Based in Hongkong, we have already established firm and mutual-benefit business relationships with customers from,Europe,America and south Asia,supplying obsolete and hard-to-find components to meet their specific needs.

With the principle of "Quality Parts,Customers Priority,Honest Operation,and Considerate Service",our business mainly focus on the distribution of electronic components. Line cards we deal with include Microchip,ALPS,ROHM,Xilinx,Pulse,ON,Everlight and Freescale. Main products comprise IC,Modules,Potentiometer,IC Socket,Relay,Connector.Our parts cover such applications as commercial,industrial, and automotives areas.

We are looking forward to setting up business relationship with you and hope to provide you with the best service and solution. Let us make a better world for our industry!



Contact us

Tel: +86-755-8981 8866 Fax: +86-755-8427 6832

Email & Skype: info@chipsmall.com Web: www.chipsmall.com

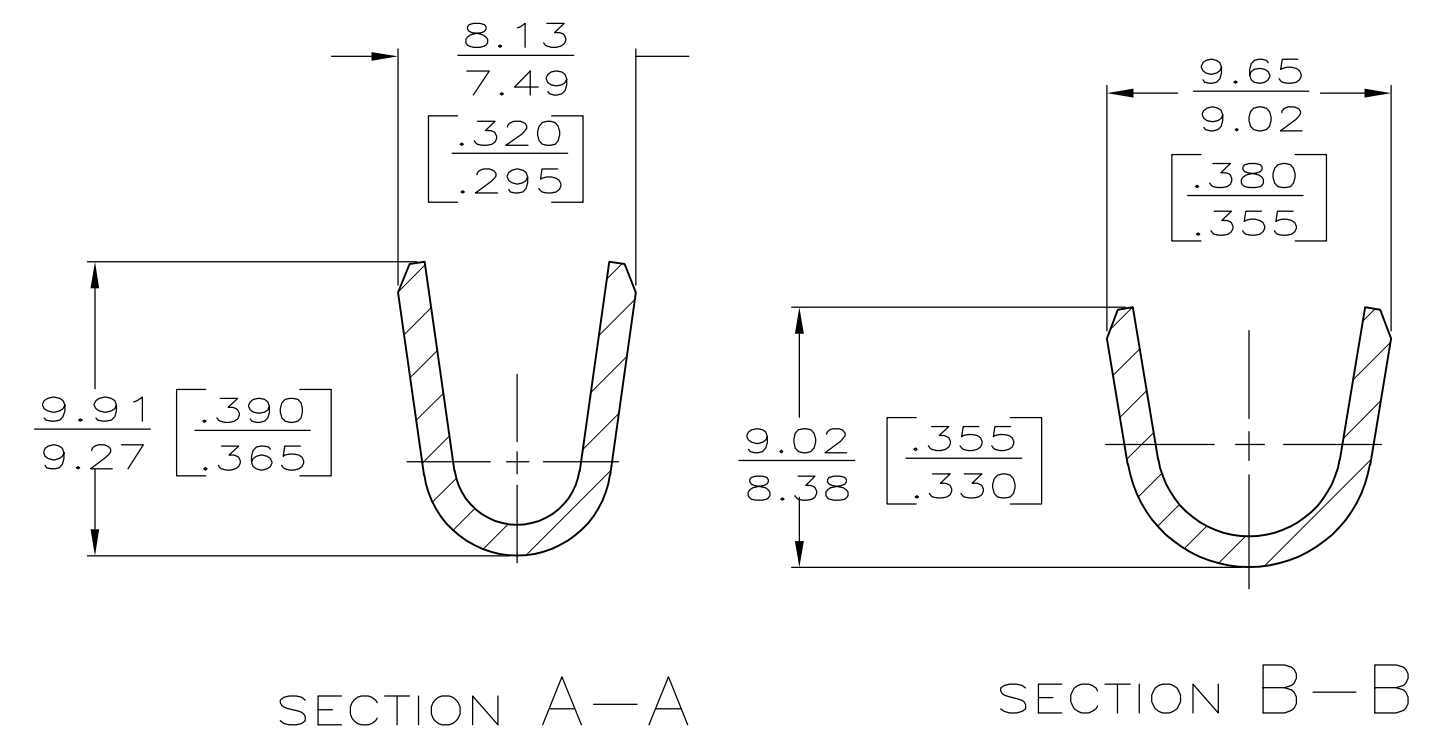
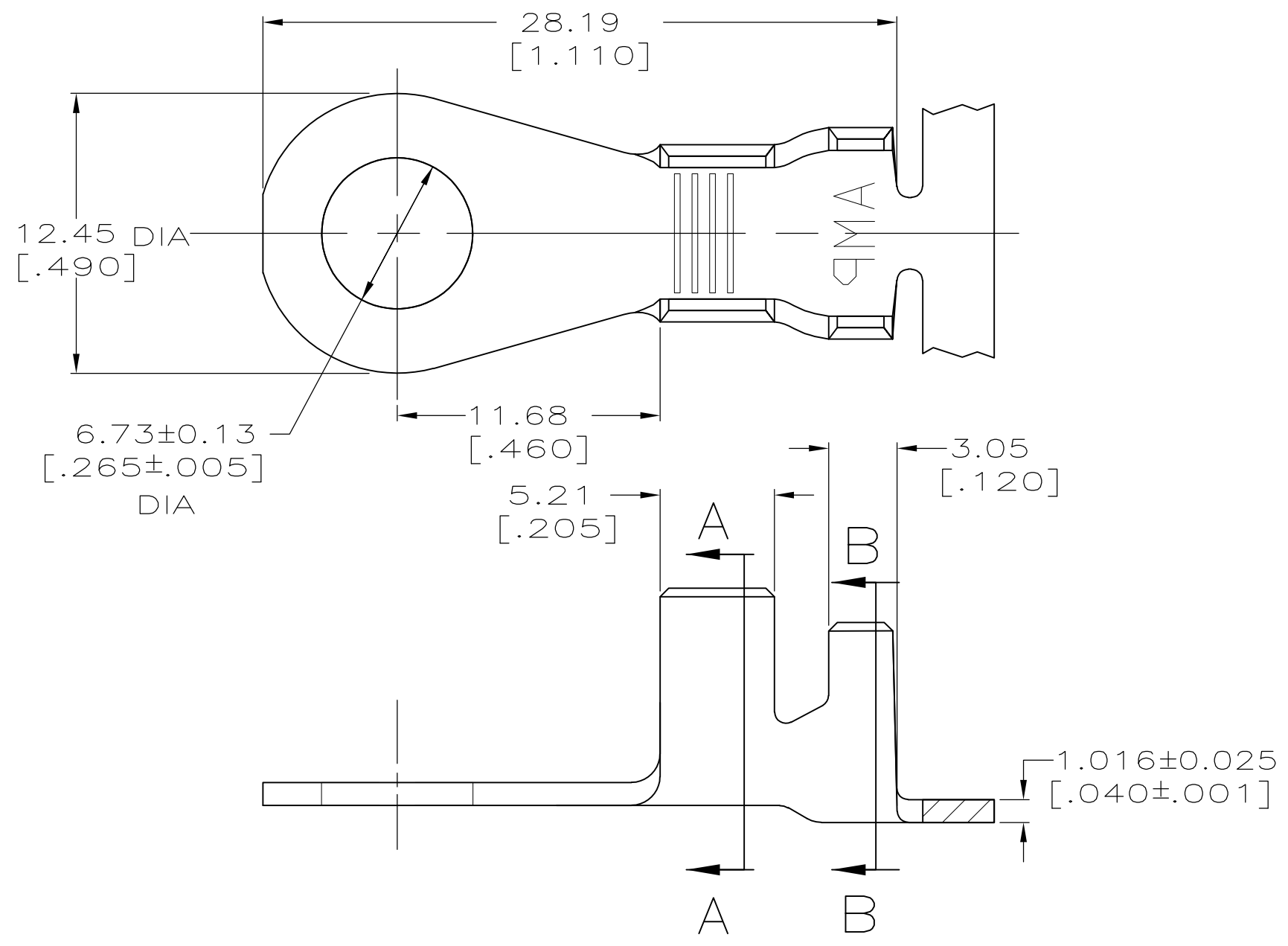
Address: A1208, Overseas Decoration Building, #122 Zhenhua RD., Futian, Shenzhen, China



THIS DRAWING IS UNPUBLISHED. RELEASED FOR PUBLICATION
 © COPYRIGHT BY TYCO ELECTRONICS CORPORATION. ALL INTERNATIONAL RIGHTS RESERVED.

LOC	DIST	REVISIONS			
P	LTR	DESCRIPTION	DATE	DWN	APVD
AF	50	M	REVISED PER ECR-10-006099	08JUL10	HMR PD

- 1 CONTINUOUS STRIP ON REEL.
- 2 0.002032 [.000080] MIN TIN PL PER MIL-T-10727 OVER 0.001270 [.000050] MIN NICKEL PL PER QQ-N-290.
- 3 REELED OPPOSITE DIRECTION OF -1 P/N.
- 4 REELED WITH INTERLEAVING PAPER.
- 5 PRELIMINARY - NOT FOR PRODUCTION.



4 3	2		5	61868-7
3	2		5	61868-6
4 3	TIN		5	61868-5
3	TIN		5	61868-4
OBSOLETE	2	3.68-7.37 [.145-.290] DIA	5	61868-2
	TIN			61868-1
	FINISH	INSULATION RANGE	WIRE RANGE	PART NO

F OR O	8.64 [.340]	6.73 [.265]	F	7.11 [.280]	4.70 [.185]	15.0mm ² [6]
					4.14 [.163]	8.0mm ² [8]
					3.78 [.149]	5.0mm ² [10]
TYPE	WIDTH	STRIP LENGTH ± 0.38 [± .015]	TYPE	WIDTH	HEIGHT ± 0.051 [± .002]	WIRE
INSUL BARREL CRIMP			WIRE BARREL CRIMP			

THIS DRAWING IS A CONTROLLED DOCUMENT.

DWN P FORTNEY 7/25/91
 CHK JR RUTH 7/25/91
 APVD D DECKER 7/25/91

Tyco Electronics Corporation
 Harrisburg, PA 17105-3608

NAME: RING

SIZE: A2 CAGE CODE: 00779 DRAWING NO: 61868 RESTRICTED TO: -

MATERIAL: 082 BRASS FINISH: SEE TABLE WEIGHT: - SCALE: 4:1 SHEET: 1 OF 1 REV: M

CUSTOMER DRAWING