



Chipsmall Limited consists of a professional team with an average of over 10 year of expertise in the distribution of electronic components. Based in Hongkong, we have already established firm and mutual-benefit business relationships with customers from,Europe,America and south Asia,supplying obsolete and hard-to-find components to meet their specific needs.

With the principle of "Quality Parts,Customers Priority,Honest Operation,and Considerate Service",our business mainly focus on the distribution of electronic components. Line cards we deal with include Microchip,ALPS,ROHM,Xilinx,Pulse,ON,Everlight and Freescale. Main products comprise IC,Modules,Potentiometer,IC Socket,Relay,Connector.Our parts cover such applications as commercial,industrial, and automotives areas.

We are looking forward to setting up business relationship with you and hope to provide you with the best service and solution. Let us make a better world for our industry!



## Contact us

Tel: +86-755-8981 8866 Fax: +86-755-8427 6832

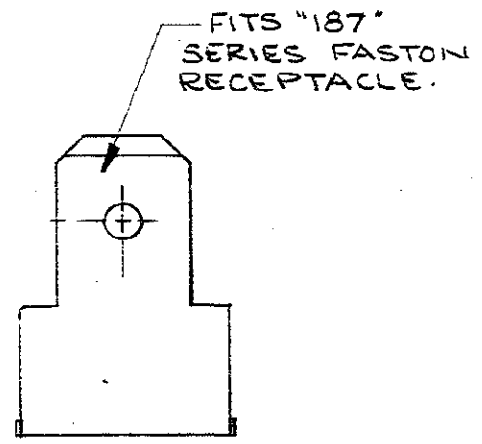
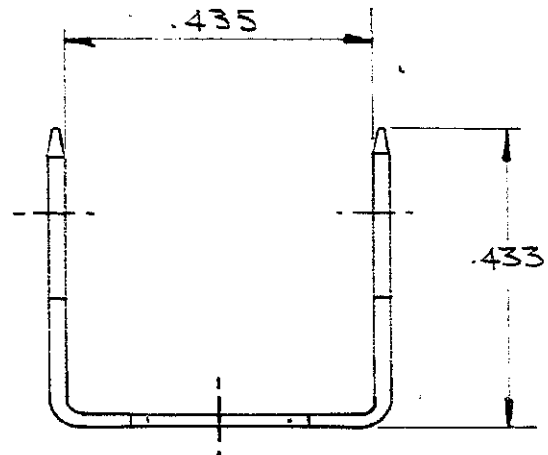
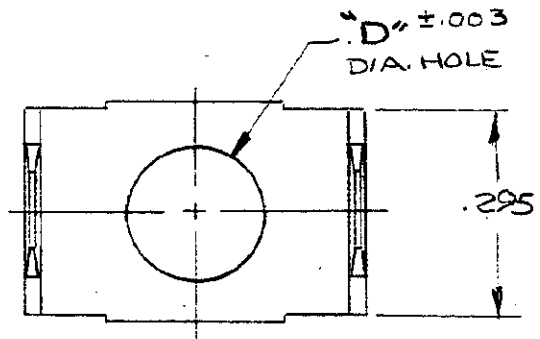
Email & Skype: info@chipsmall.com Web: www.chipsmall.com

Address: A1208, Overseas Decoration Building, #122 Zhenhua RD., Futian, Shenzhen, China



DRAWING MADE IN AMERICAN PROJECTION

NUMBER  
61914



This terminal to be supplied  
in individual form, not as  
continuous strip.

TERMINAL NUMBER	MATERIAL AND FINISH	"D" HOLE
61914-1	.020 ±.001 BRASS-TIN	.197
61914-2	.020 ±.001 BRASS-TIN	.145

DIMENSIONS IN INCHES. DO NOT SCALE PRINT.

©1970 BY AMP INCORPORATED. ALL RIGHTS RESERVED. AMP PRODUCTS COVERED BY PATENTS AND/OR PATENTS PENDING.

**CUSTOMER COPY REFERENCE ONLY**

C	OBS - 2	395700	4/29/70
B	REVISED	P71714	cm 4/21/70
A	RELEASED	A1755	em 4/16/70
WAS P70-7220			
DR	4-29-70	DE	
CHK	C-MEYERS	APP	4-29-70

MATERIAL AND FINISH

WIRE RANGE INSULATION TYPE

TOLERANCE EXCEPT AS NOTED ±.015 ± 1' 0'

SCALE

NAME  
TAB "187" SERIES FASTON

**AMP** AMP INCORPORATED HARRISBURG, PENNA.

CLASS

LOC AF A NO 61914 REV C