



Chipsmall Limited consists of a professional team with an average of over 10 year of expertise in the distribution of electronic components. Based in Hongkong, we have already established firm and mutual-benefit business relationships with customers from,Europe,America and south Asia,supplying obsolete and hard-to-find components to meet their specific needs.

With the principle of “Quality Parts,Customers Priority,Honest Operation,and Considerate Service”,our business mainly focus on the distribution of electronic components. Line cards we deal with include Microchip,ALPS,ROHM,Xilinx,Pulse,ON,Everlight and Freescale. Main products comprise IC,Modules,Potentiometer,IC Socket,Relay,Connector.Our parts cover such applications as commercial,industrial, and automotives areas.

We are looking forward to setting up business relationship with you and hope to provide you with the best service and solution. Let us make a better world for our industry!



## Contact us

Tel: +86-755-8981 8866 Fax: +86-755-8427 6832

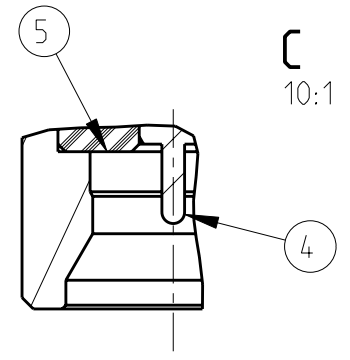
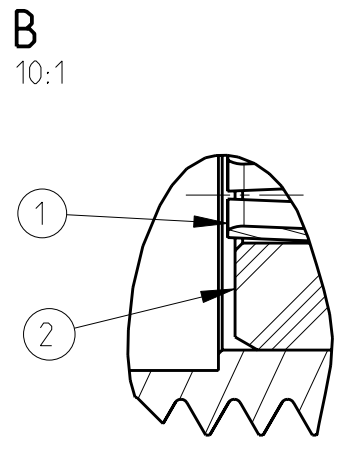
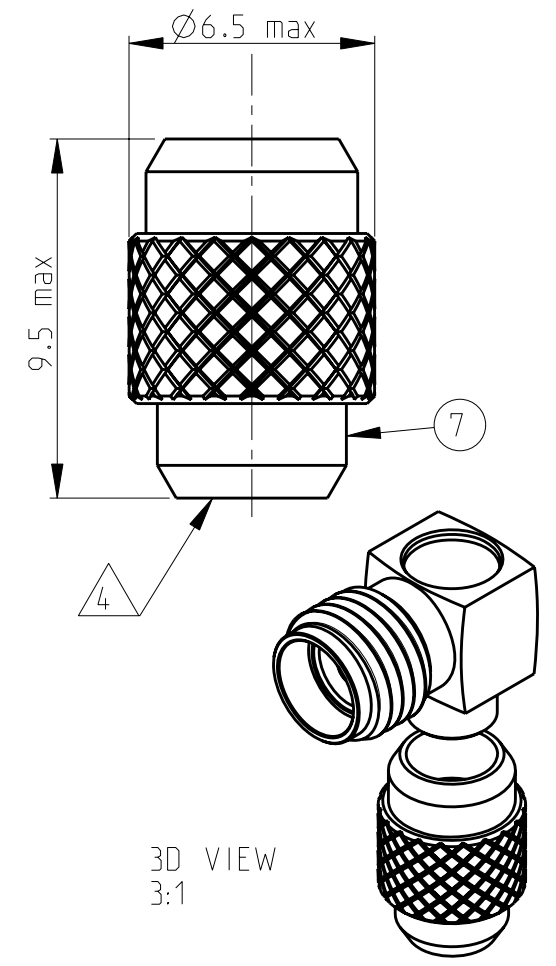
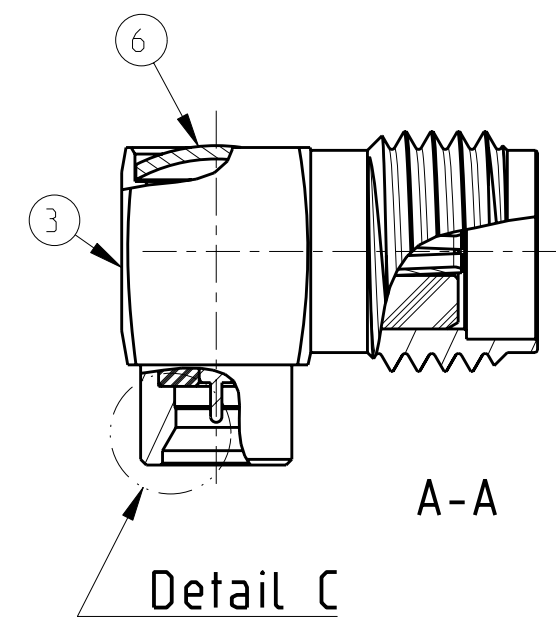
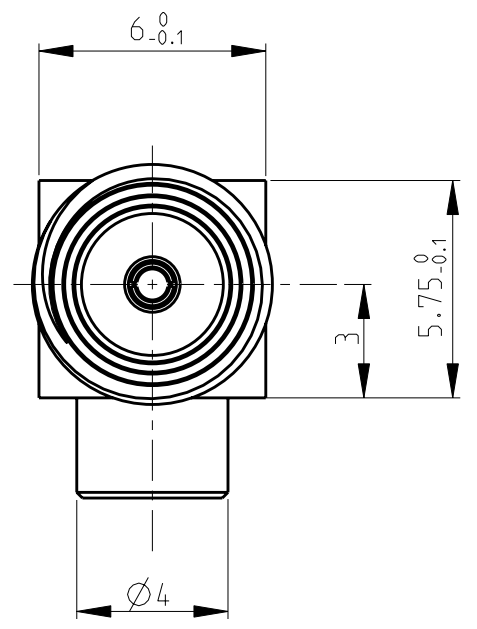
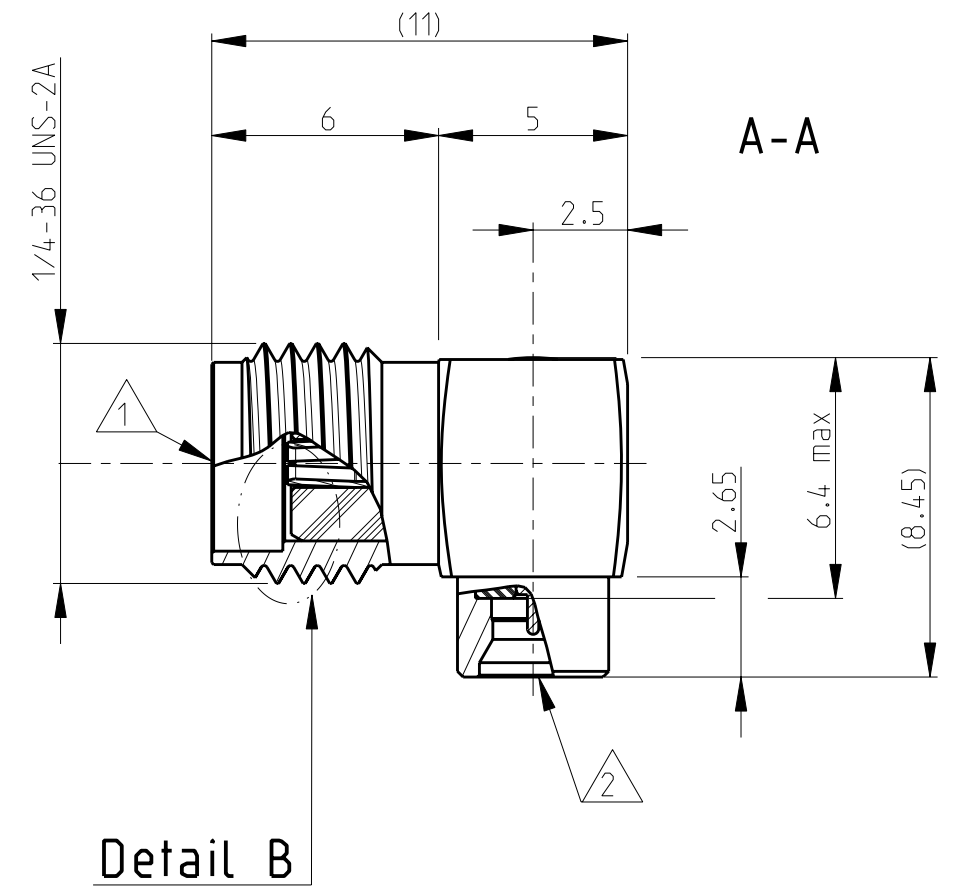
Email & Skype: info@chipsmall.com Web: www.chipsmall.com

Address: A1208, Overseas Decoration Building, #122 Zhenhua RD., Futian, Shenzhen, China



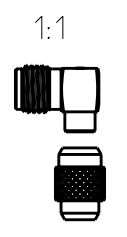
THIS DRAWING IS UNPUBLISHED. RELEASED FOR PUBLICATION  
 © COPYRIGHT - BY TYCO ELECTRONICS CORPORATION. ALL RIGHTS RESERVED.

LOC	DIST	REVISIONS			
P	LTR	DESCRIPTION	DATE	DWN	APVD
IS	-	A	Release to production	18FEB2009	MS DB



TE P/N	ITEM NO.	PIECES	DESCRIPTION	MATERIAL	PLATING
619383-1	7	1	GUIDING SHELL	ALUMINIUM	Anodized
	6	1	CAP	BRASS	Ni
	5	1	DIELECTRIC	PTFE	None
	4	1	CENTER CONDUCTOR	BRASS	Au over NiP
	3	1	OUTER SHELL	BRASS	Au over NiP
	2	1	DIELECTRIC	PTFE	None
	1	1	CENTER CONDUCTOR	Bronze	Au over NiP

- 1 Interface according to IEC 169-15 / CECC 22110
- 2 Interface according to MIL-STD-348
- 3 General Tolerances ISO 2768-mK
- 4 Supplied as loose part



THIS DRAWING IS A CONTROLLED DOCUMENT FOR TYCO ELECTRONICS CORPORATION. IT IS SUBJECT TO CHANGE AND THE CONTROLLING ENGINEERING ORGANIZATION SHOULD BE CONTACTED FOR THE LATEST REVISION.

DIMENSIONS: mm	TOLERANCES UNLESS OTHERWISE SPECIFIED:	DWN M.Scheggia 27OCT2008	Tyco Electronics Tyco Electronics Lugano - Switzerland	
	0 PLC ± 1 PLC ± 2 PLC ± 3 PLC ± 4 PLC ± ANGLES ±	CHK D.Bozzer 27OCT2008	NAME Adapter SMPM - SMA Right Angle Jack - Jack	
MATERIAL see table	FINISH see table	APVD -	PRODUCT SPEC 108-71086	RESTRICTED TO -
			APPLICATION SPEC -	
			WEIGHT -	
CUSTOMER DRAWING			SIZE A3	CAGE CODE 00779
			DRAWING NO. C-619383	
			SCALE 5:1	SHEET 1 OF 1
				REV A