



Chipsmall Limited consists of a professional team with an average of over 10 year of expertise in the distribution of electronic components. Based in Hongkong, we have already established firm and mutual-benefit business relationships with customers from,Europe,America and south Asia,supplying obsolete and hard-to-find components to meet their specific needs.

With the principle of "Quality Parts,Customers Priority,Honest Operation,and Considerate Service",our business mainly focus on the distribution of electronic components. Line cards we deal with include Microchip,ALPS,ROHM,Xilinx,Pulse,ON,Everlight and Freescale. Main products comprise IC,Modules,Potentiometer,IC Socket,Relay,Connector.Our parts cover such applications as commercial,industrial, and automotives areas.

We are looking forward to setting up business relationship with you and hope to provide you with the best service and solution. Let us make a better world for our industry!



Contact us

Tel: +86-755-8981 8866 Fax: +86-755-8427 6832

Email & Skype: info@chipsmall.com Web: www.chipsmall.com

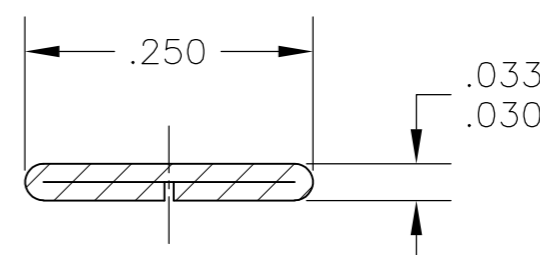
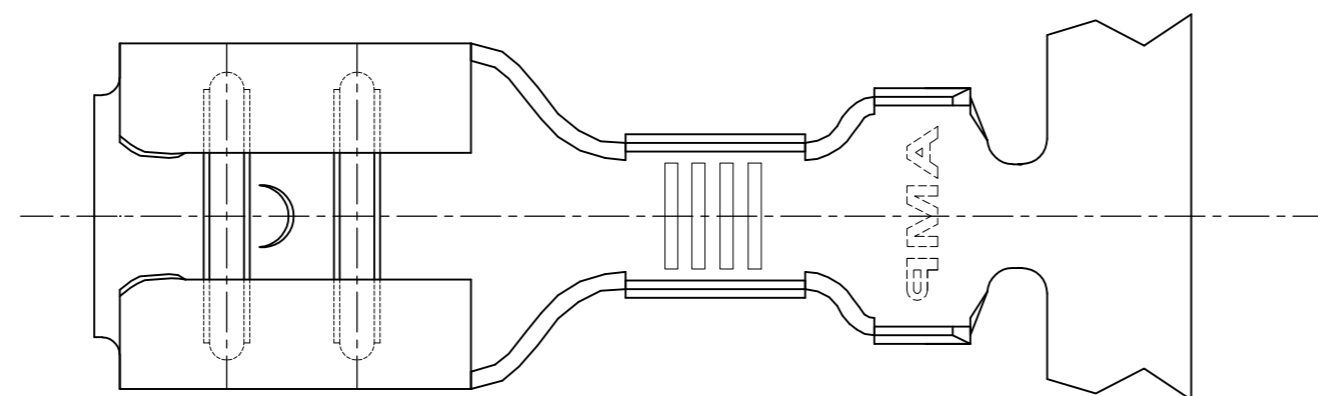
Address: A1208, Overseas Decoration Building, #122 Zhenhua RD., Futian, Shenzhen, China



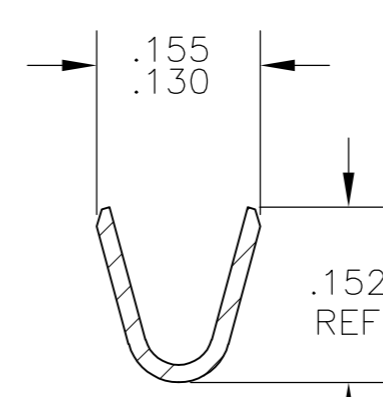
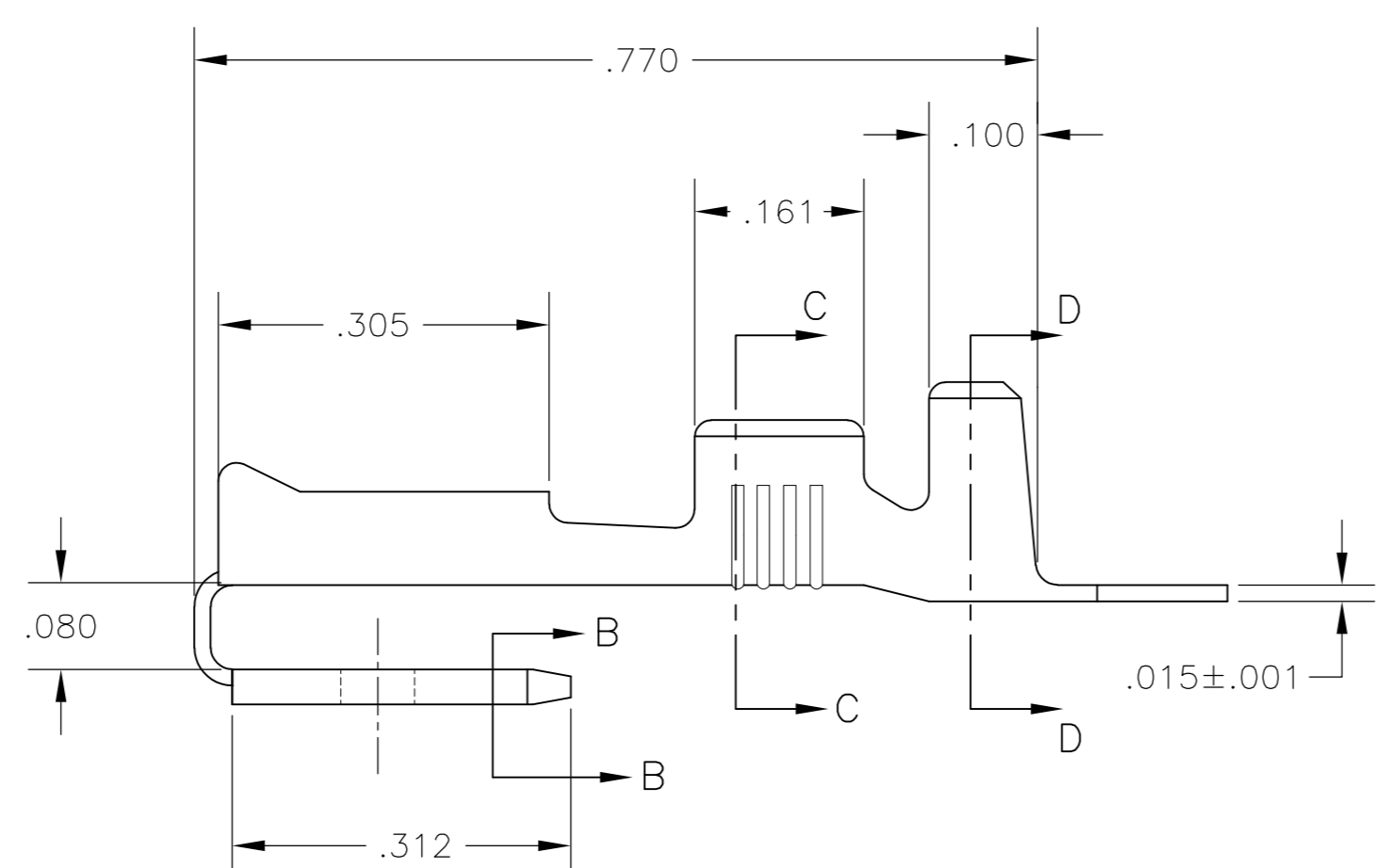
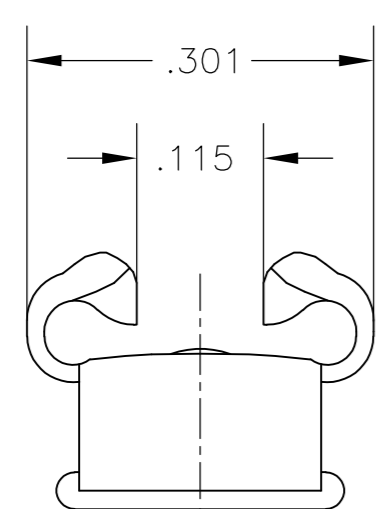
THIS DRAWING IS UNPUBLISHED. RELEASED FOR PUBLICATION
 © COPYRIGHT - R3 ALL RIGHTS RESERVED.

LOC		DIST		REVISIONS			
P	LTR	DESCRIPTION		DATE	DWN	APVD	
AF	50	T	REVISED PER ECR-12-013459	28NOV2012	KH	PD	

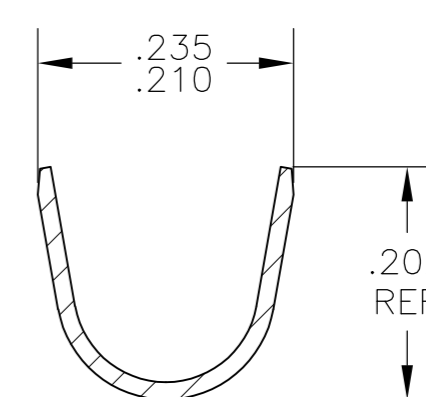
- 1 CONTINUOUS STRIP ON REELS
- 2 MATING TAB THK IS $.032 \pm .001$.
- 3 WIRE SIZE IS #18-#14 AWG
- 4 INSULATION RANGE IS $.120-.170$ DIA.



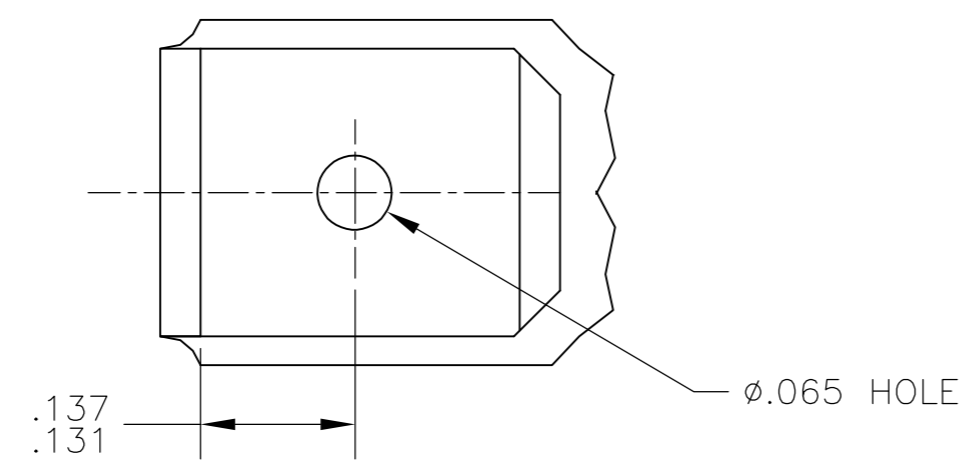
SECTION B-B



SECTION C-C



SECTION D-D



— OBSOLETE	SILVER PLATE	61944-4
— OBSOLETE	PRE TIN PLATE	61944-3
	TIN	61944-2
	—	61944-1
	FINISH	PART NO.

THIS DRAWING IS A CONTROLLED DOCUMENT.		DWN	JR RUTH	26JUL2002	 TE Connectivity
DIMENSIONS: INCHES		CHK	P_DESANTIS	26JUL02	
TOLERANCES UNLESS OTHERWISE SPECIFIED:		APVD	P_DESANTIS	26JUL02	
0 PLC ± - 1 PLC ± - 2 PLC ± - 3 PLC ± .015 4 PLC ± - ANGLES ± -		PRODUCT SPEC	NAME		
MATERIAL: BRASS		FINISH	SEE TABLE		RECEPTACLE, FASTON, PIGGYBACK, 250 SERIES
SCALE: 6:1		WEIGHT	—		SIZE: A2
SHEET: 1 of 1		CUSTOMER DRAWING	CAGE CODE: 00779		DRAWING NO: 61944
REV: T					