



Chipsmall Limited consists of a professional team with an average of over 10 year of expertise in the distribution of electronic components. Based in Hongkong, we have already established firm and mutual-benefit business relationships with customers from,Europe,America and south Asia,supplying obsolete and hard-to-find components to meet their specific needs.

With the principle of "Quality Parts,Customers Priority,Honest Operation,and Considerate Service",our business mainly focus on the distribution of electronic components. Line cards we deal with include Microchip,ALPS,ROHM,Xilinx,Pulse,ON,Everlight and Freescale. Main products comprise IC,Modules,Potentiometer,IC Socket,Relay,Connector.Our parts cover such applications as commercial,industrial, and automotives areas.

We are looking forward to setting up business relationship with you and hope to provide you with the best service and solution. Let us make a better world for our industry!



Contact us

Tel: +86-755-8981 8866 Fax: +86-755-8427 6832

Email & Skype: info@chipsmall.com Web: www.chipsmall.com

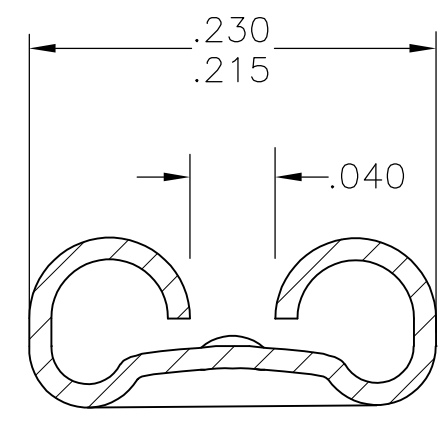
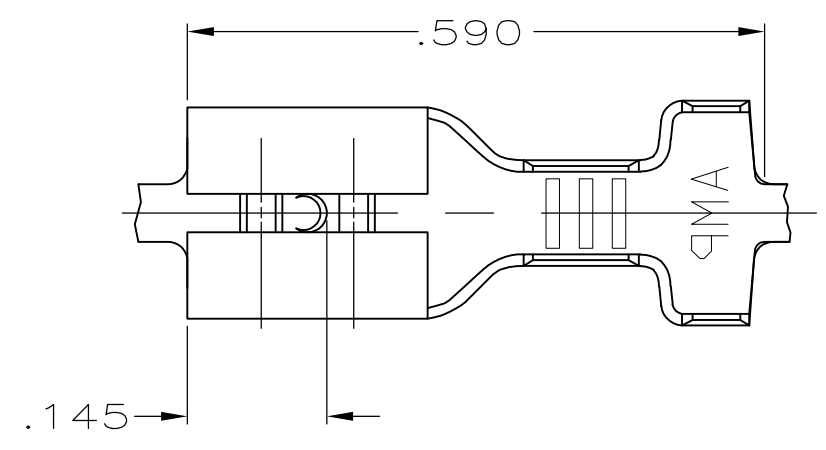
Address: A1208, Overseas Decoration Building, #122 Zhenhua RD., Futian, Shenzhen, China



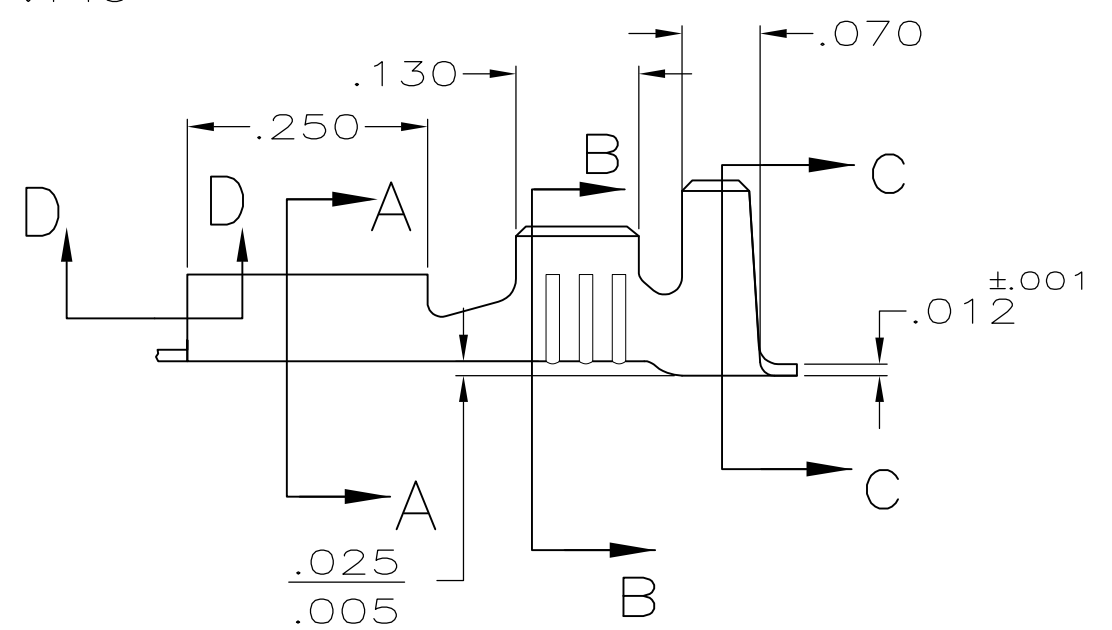
THIS DRAWING IS UNPUBLISHED. RELEASED FOR PUBLICATION
 © COPYRIGHT - By - ALL RIGHTS RESERVED.

LOC	DIST	REVISIONS					
		P	LTR	DESCRIPTION	DATE	DWN	APVD
		P		REVISED PER ECR-12-013459	28NOV2012	KH	PD

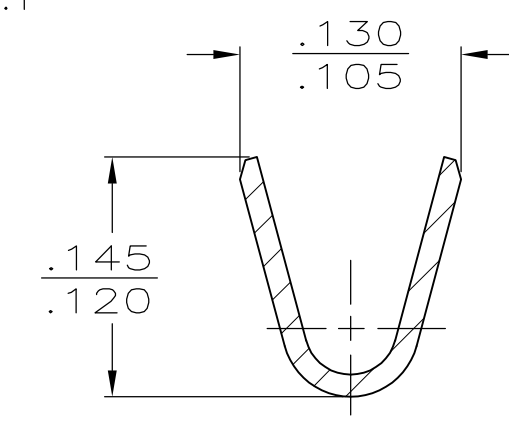
- CONTINUOUS STRIP ON REELS
- WIRE SIZE IS #18-#16 OR TWO #18'S.
- INSULATION RANGE IS .105-.210 OR TWO AT .105 MAX.
- MATING TAB THK IS .032±.001.



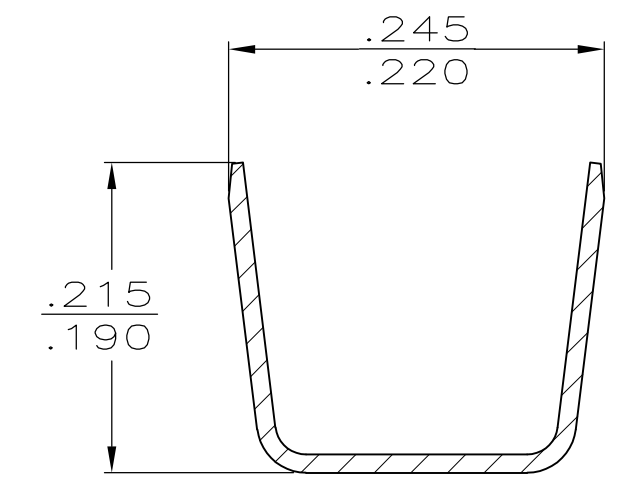
SECTION A-A
SCALE 8:1



SECTION D-D



SECTION B-B
SCALE 8:1



SECTION C-C
SCALE 8:1

SWAGE ON
61945-1 ONLY

.000150 MIN NICKEL	T2 STEEL	61945-2
TIN	BRASS	61945-1
FINISH	MATERIAL	PART NO.

TYPE	WIDTH	STRIP LENGTH ±.015	TYPE	WIDTH	#.002 HEIGHT	WIRE
F	.210	.188	F	.100	.055	16
					.049	18
INSUL BARREL CRIMP	WIRE BARREL CRIMP					

THIS DRAWING IS A CONTROLLED DOCUMENT.

DIMENSIONS: INCHES

TOLERANCES UNLESS OTHERWISE SPECIFIED:

0 PLC ± -
 1 PLC ± -
 2 PLC ± -
 3 PLC ± .015
 4 PLC ± -
 ANGLES ± -

MATERIAL: SEE TABLE
 FINISH: SEE TABLE

DWN: JR RUTH 8/21/91
 CHK: MS FEHER 8/21/91
 APVD: C MEYERS 8/21/91
 PRODUCT SPEC: -
 APPLICATION SPEC: -
 WEIGHT: -

STE TE Connectivity

RECEPTACLE, FASTON, .187 SERIES

SIZE: A3 CAGE CODE: 00779 DRAWING NO: C-61945 RESTRICTED TO: -

CUSTOMER DRAWING SCALE: 5:1 SHEET: 1 OF 1 REV: P