



Chipsmall Limited consists of a professional team with an average of over 10 year of expertise in the distribution of electronic components. Based in Hongkong, we have already established firm and mutual-benefit business relationships with customers from,Europe,America and south Asia,supplying obsolete and hard-to-find components to meet their specific needs.

With the principle of “Quality Parts,Customers Priority,Honest Operation,and Considerate Service”,our business mainly focus on the distribution of electronic components. Line cards we deal with include Microchip,ALPS,ROHM,Xilinx,Pulse,ON,Everlight and Freescale. Main products comprise IC,Modules,Potentiometer,IC Socket,Relay,Connector.Our parts cover such applications as commercial,industrial, and automotives areas.

We are looking forward to setting up business relationship with you and hope to provide you with the best service and solution. Let us make a better world for our industry!



Contact us

Tel: +86-755-8981 8866 Fax: +86-755-8427 6832

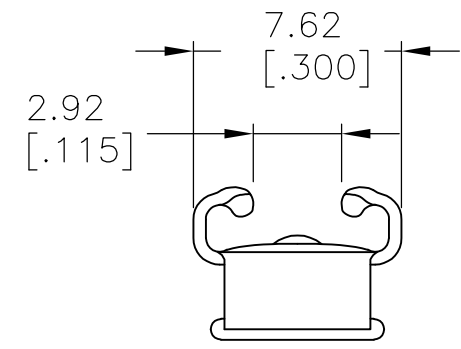
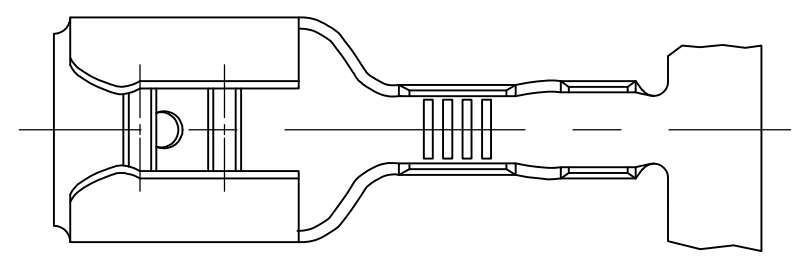
Email & Skype: info@chipsmall.com Web: www.chipsmall.com

Address: A1208, Overseas Decoration Building, #122 Zhenhua RD., Futian, Shenzhen, China



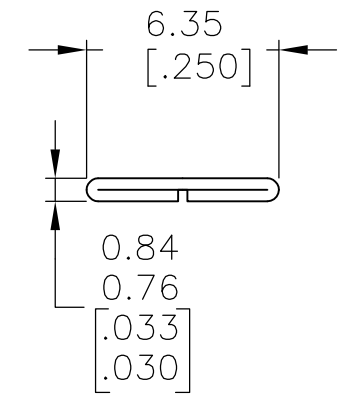
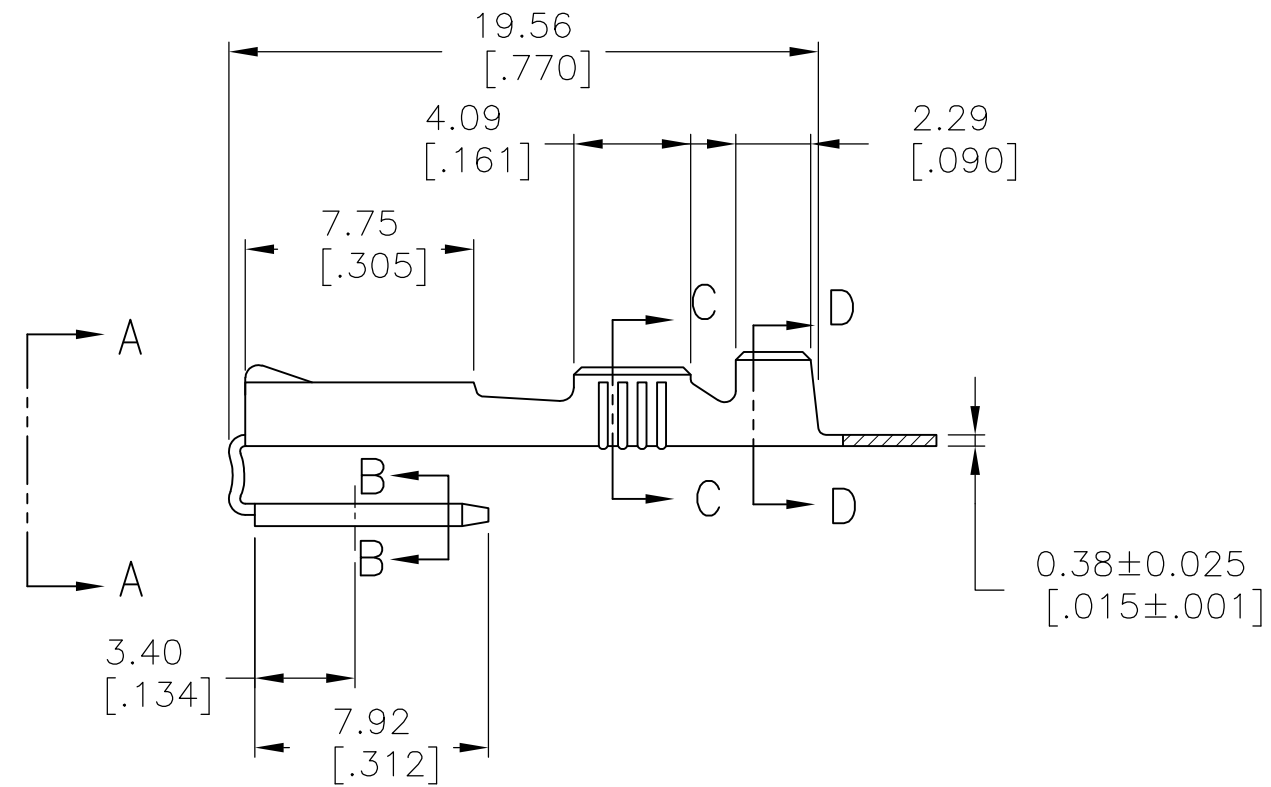
THIS DRAWING IS UNPUBLISHED. RELEASED FOR PUBLICATION
 © COPYRIGHT - By - ALL RIGHTS RESERVED.

LOC	DIST	REVISIONS					
AF	50	P	LTR	DESCRIPTION	DATE	DWN	APVD
			K	REVISED PER ECR-12-013459	28NOV2012	KH	PD

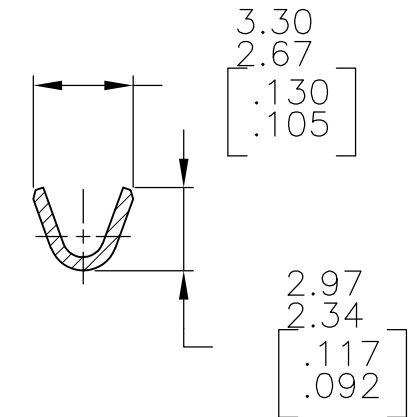


VIEW A-A

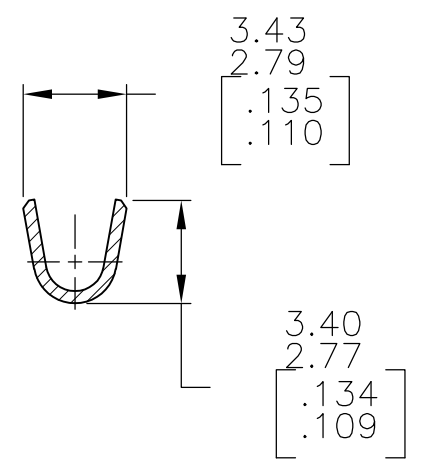
1 - CONTINUOUS STRIP ON REELS.
 2 - STRESS RELIEVED



SECTION B-B



SECTION C-C



SECTION D-D

0.38±0.025
 [.015±.001]

2	TIN	1.52-2.54 [.060-.100]	#22-#18 AWG	0.81±0.025 [.032±.001]	61988-3
	TIN				61988-2
	-				61988-1
FINISH	INSUL RANGE	WIRE SIZE	MATING TAB THICKNESS	PART NUMBER	

THIS DRAWING IS A CONTROLLED DOCUMENT.		DWN	JR RUTH	5/14/86	TE Connectivity		
DIMENSIONS: mm [INCHES]		CHK	MS FEHER	5/14/86			
TOLERANCES UNLESS OTHERWISE SPECIFIED:		APVD	C NEYERS	5/16/86	NAME		
0 PLC ± - 1 PLC ± - 2 PLC ± - 3 PLC ± 0.38 [.015] 4 PLC ± - ANGLES ± -		PRODUCT SPEC		RECEPTACLE, FASTON, PIGGYBACK, 6.35 [.250] SERIES			
MATERIAL: BRASS		FINISH: SEE TABLE		APPLICATION SPEC: 114-2082		RESTRICTED TO: -	
CUSTOMER DRAWING				WEIGHT: -	SIZE: A3	CAGE CODE: 00779	DRAWING NO: C-61988
				SCALE: 4:1	SHEET: 1 OF 1	REV: K	