



Chipsmall Limited consists of a professional team with an average of over 10 year of expertise in the distribution of electronic components. Based in Hongkong, we have already established firm and mutual-benefit business relationships with customers from,Europe,America and south Asia,supplying obsolete and hard-to-find components to meet their specific needs.

With the principle of “Quality Parts,Customers Priority,Honest Operation,and Considerate Service”,our business mainly focus on the distribution of electronic components. Line cards we deal with include Microchip,ALPS,ROHM,Xilinx,Pulse,ON,Everlight and Freescale. Main products comprise IC,Modules,Potentiometer,IC Socket,Relay,Connector.Our parts cover such applications as commercial,industrial, and automotives areas.

We are looking forward to setting up business relationship with you and hope to provide you with the best service and solution. Let us make a better world for our industry!



Contact us

Tel: +86-755-8981 8866 Fax: +86-755-8427 6832

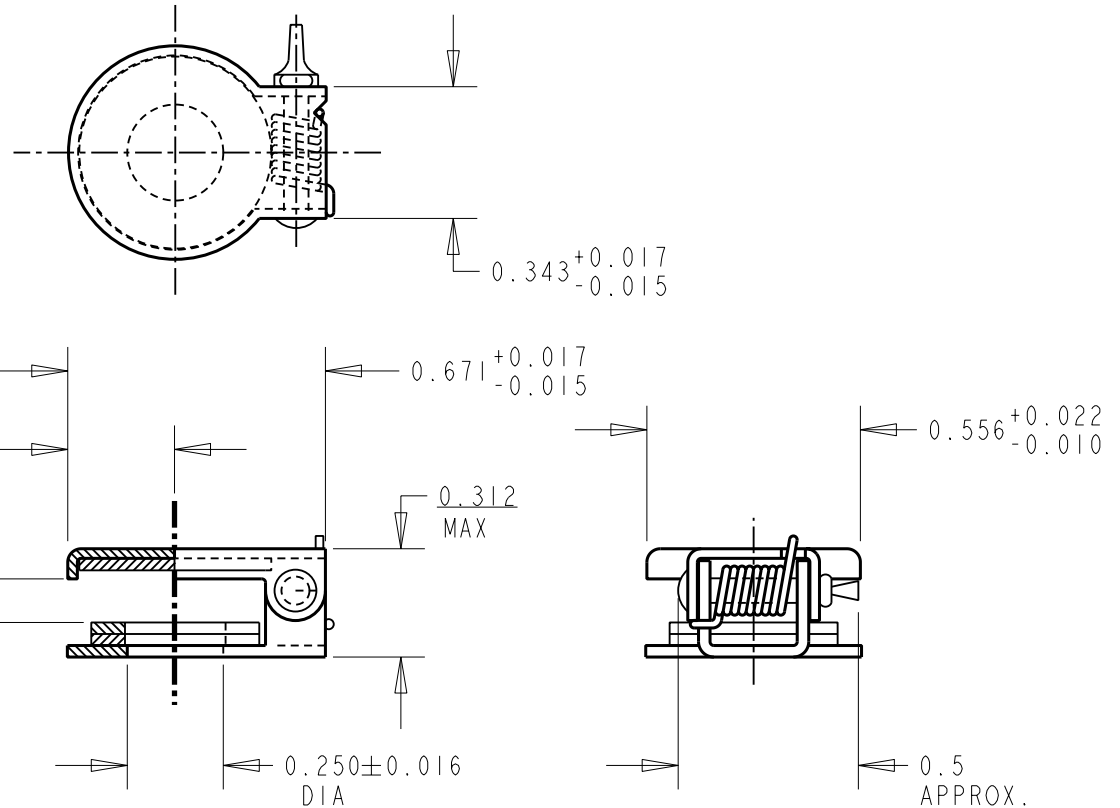
Email & Skype: info@chipsmall.com Web: www.chipsmall.com

Address: A1208, Overseas Decoration Building, #122 Zhenhua RD., Futian, Shenzhen, China



NOTES:

1. COVER & BASE - STEEL
 -FINISH - PER MIL-F-14072 (SIG.-C)
 -BASIC FINISH #P-211 TYPE I EXPOSURE
 -FINAL FINISH PER TT-E-529 ENAMEL
 SYNTHETIC SEMI-GLOSS NAVY GRAY PER -A3
2. GASKET - SYNTHETIC RUBBER
3. TORSION SPRING - STAINLESS STEEL
4. AXLE - STAINLESS STEEL
5. WASHERS - STEEL - CAD. IRID.



NOTES:

- 1 0.125 APPROX. HIGH HEAD, USE TWO WASHERS.
- 2 0.156 APPROX. HIGH HEAD, USE ONE WASHER.
- 3 0.188 APPROX. HIGH HEAD, USE NO WASHERS.

CUSTOMER DRAWING

					★ STAR SYMBOL DENOTES CRITICAL DIMENSION	THIS DRAWING DESCRIBES A DESIGN CONSIDERED PROPRIETARY IN NATURE, DEVELOPED AND MANUFACTURED BY SWITCHCRAFT INC. AND IS RELEASED ON A CONFIDENTIAL BASIS FOR IDENTIFICATION PURPOSES ONLY.				
					UNLESS OTHERWISE SPECIFIED	SIZE	WIDTH	MULT	LBS/M	TEMPER
					1. ALL DIMENSIONS IN INCHES - TWO PLACE DECIMALS ±0.01 - THREE PLACE DECIMALS ±0.005 - ANGLES ±1° - ALL DIA. CONCENTRIC WITHIN 0.005 T.I.R.	FINISH			MATERIAL	
					2. FEATURES ON THE SAME CENTERLINE MUST BE ALIGNED WITHIN ±0.002	SPEC No.			SPEC No.	
					3. REMOVE ALL BURRS	FIRST USED ON		SCALE		
						2 : 1			Switchcraft®	
E	ECO #22434	11-6-98	RC	JF	DATE DRAWN	BY	CHKD	APVD		
REV	ECO NUMBER	DATE	BY	APVD	4-22-64	IRT	CJW 4-22-64	LG 4-23-64	SHEET OF	
REVISIONS					DO NOT SCALE DRAWING	NAME			PART No.	REV
						TIP JAX COVER ASS'Y			620	E