



Chipsmall Limited consists of a professional team with an average of over 10 year of expertise in the distribution of electronic components. Based in Hongkong, we have already established firm and mutual-benefit business relationships with customers from,Europe,America and south Asia,supplying obsolete and hard-to-find components to meet their specific needs.

With the principle of “Quality Parts,Customers Priority,Honest Operation,and Considerate Service”,our business mainly focus on the distribution of electronic components. Line cards we deal with include Microchip,ALPS,ROHM,Xilinx,Pulse,ON,Everlight and Freescale. Main products comprise IC,Modules,Potentiometer,IC Socket,Relay,Connector.Our parts cover such applications as commercial,industrial, and automotives areas.

We are looking forward to setting up business relationship with you and hope to provide you with the best service and solution. Let us make a better world for our industry!



Contact us

Tel: +86-755-8981 8866 Fax: +86-755-8427 6832

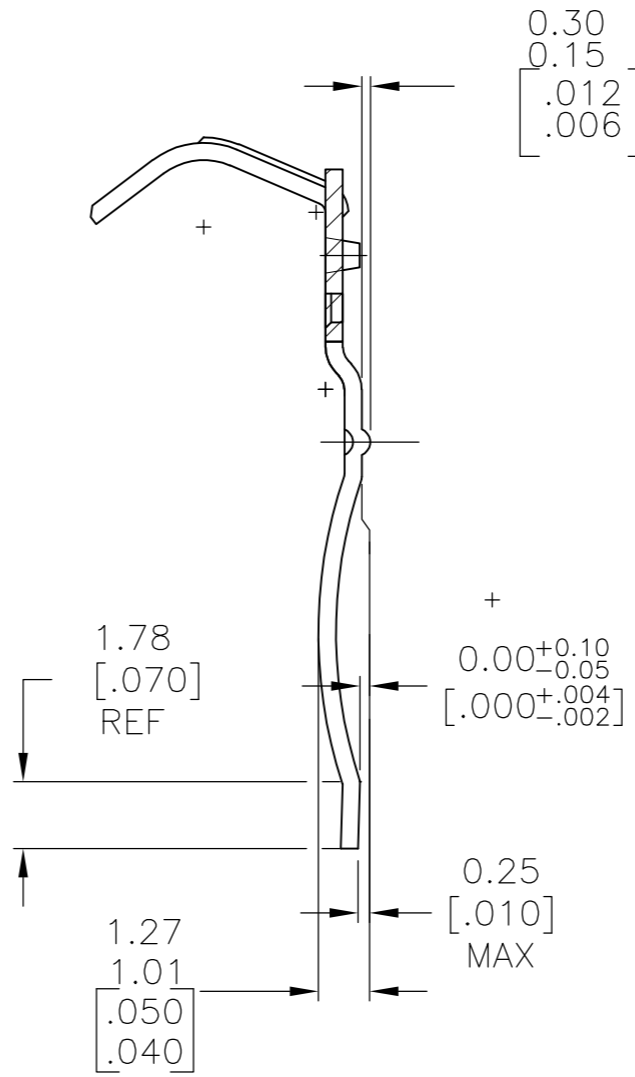
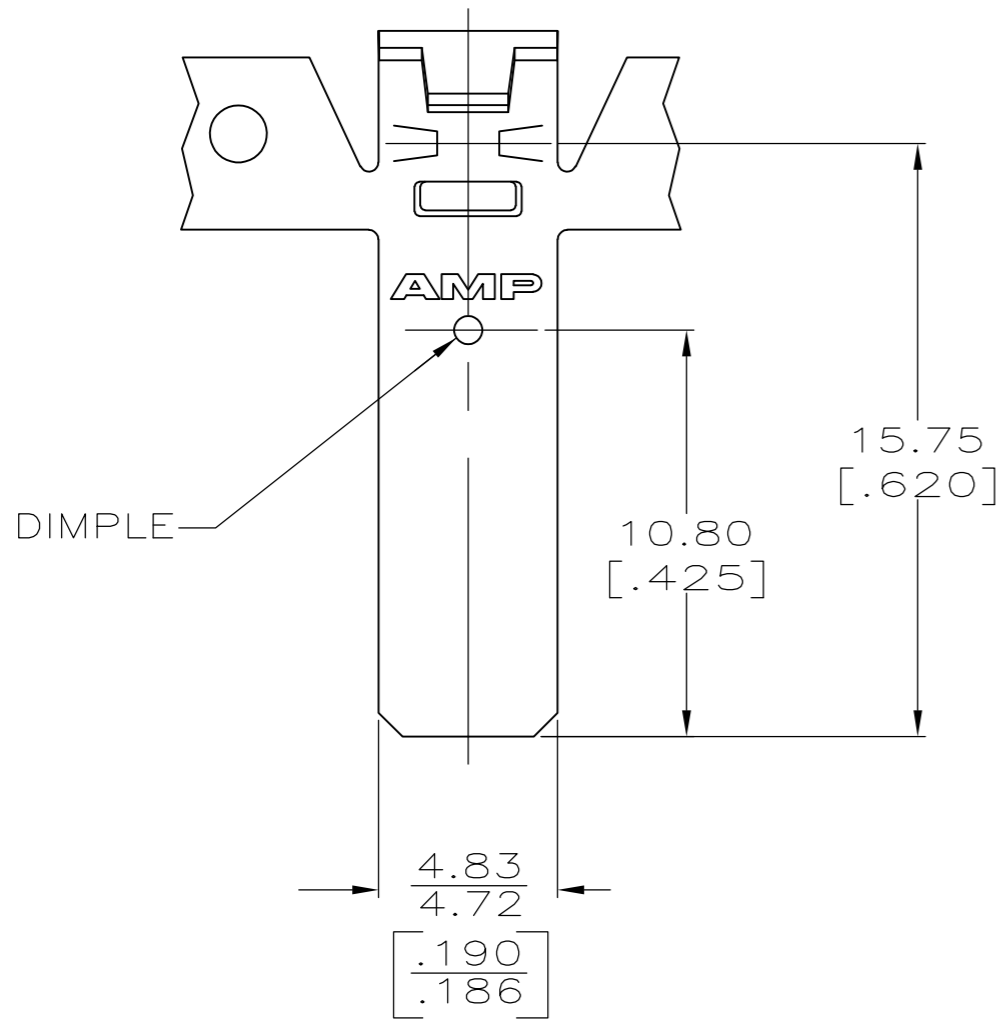
Email & Skype: info@chipsmall.com Web: www.chipsmall.com

Address: A1208, Overseas Decoration Building, #122 Zhenhua RD., Futian, Shenzhen, China

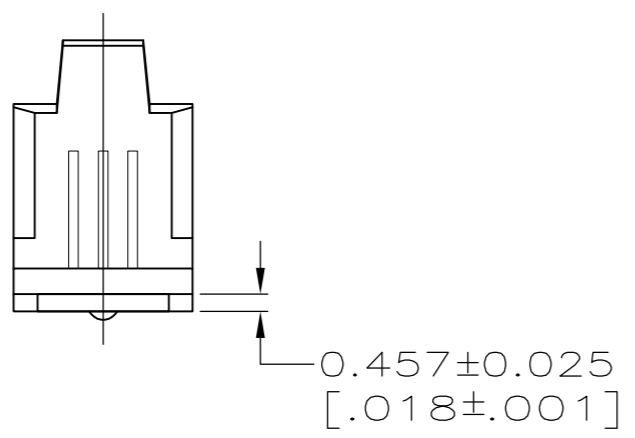


THIS DRAWING IS UNPUBLISHED. RELEASED FOR PUBLICATION
 © COPYRIGHT BY TYCO ELECTRONICS CORPORATION. ALL RIGHTS RESERVED.

LOC	DIST	REVISIONS			
P	LTR	DESCRIPTION	DATE	DWN	APVD
AF	50	D4	REVISED PER ECR-08-018166	29JUL08	HMR EH



- 1 PRODUCT PROVIDED IN STRIP FORM ON SPLICE FREE REELS.
- 2 REVERSE REEL OF 62008-1 AND 62008-2.
- 3 PRE-PRODUCTION - FASR REQUIRED
- 4 SAME AS 62009-1 EXCEPT SPECIAL PACKAGING FOR INTERNATIONAL SHIPMENT



0.00203[.000080] MIN TIN		20-14 AWG	4	62009-5
0.00381[.000150] MIN SILVER			3	62009-4
FINISH		WIRE RANGE	2	62009-2
THIS DRAWING IS A CONTROLLED DOCUMENT.			2	62009-1
DWN 29JAN1999 PHILLIP M FORTNEY		Tyco Electronics	Tyco Electronics Corporation	
CHK 29JAN1999 JEFF R RUTH			Harrisburg, PA 17105-3608	
APVD 29JAN1999 DON DECKER		NAME		
PRODUCT SPEC		BRUSH CONTACT, TAB-LOCK LEFT HAND		
APPLICATION SPEC		SIZE	CAGE CODE	DRAWING NO
MATERIAL T3 PHOS BRONZE		A3 00779		C-62009
FINISH SEE TABLE		CUSTOMER DRAWING		RESTRICTED TO
DIMENSIONS: mm [INCHES]		SCALE 5:1		SHEET 1 OF 1
TOLERANCES UNLESS OTHERWISE SPECIFIED:		REV D4		
0 PLC ± -	1 PLC ± -			
2 PLC ± 0.25[.010]	3 PLC ± -			
4 PLC ± -	4 PLC ± -			
ANGLES ± -				