



Chipsmall Limited consists of a professional team with an average of over 10 year of expertise in the distribution of electronic components. Based in Hongkong, we have already established firm and mutual-benefit business relationships with customers from,Europe,America and south Asia,supplying obsolete and hard-to-find components to meet their specific needs.

With the principle of "Quality Parts,Customers Priority,Honest Operation,and Considerate Service",our business mainly focus on the distribution of electronic components. Line cards we deal with include Microchip,ALPS,ROHM,Xilinx,Pulse,ON,Everlight and Freescale. Main products comprise IC,Modules,Potentiometer,IC Socket,Relay,Connector.Our parts cover such applications as commercial,industrial, and automotives areas.

We are looking forward to setting up business relationship with you and hope to provide you with the best service and solution. Let us make a better world for our industry!



Contact us

Tel: +86-755-8981 8866 Fax: +86-755-8427 6832

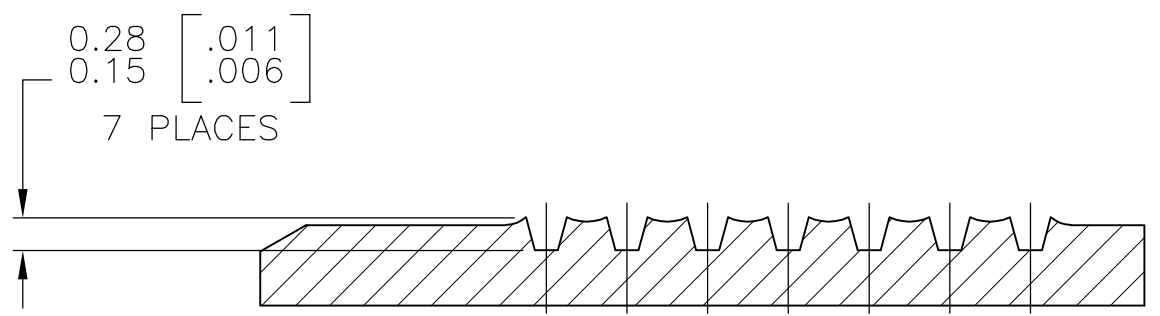
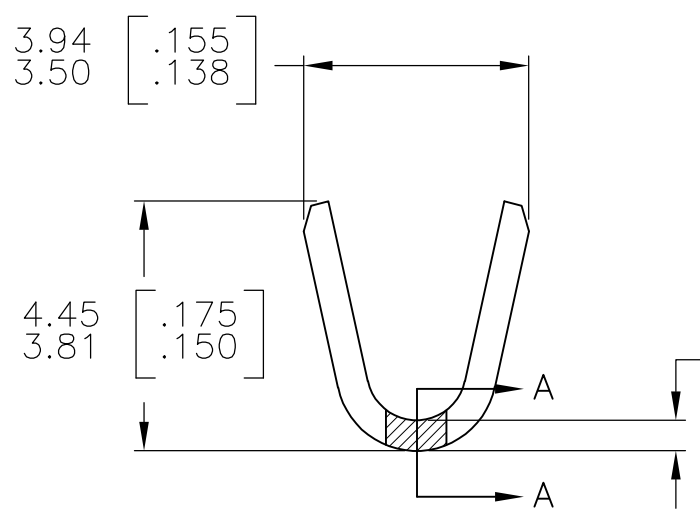
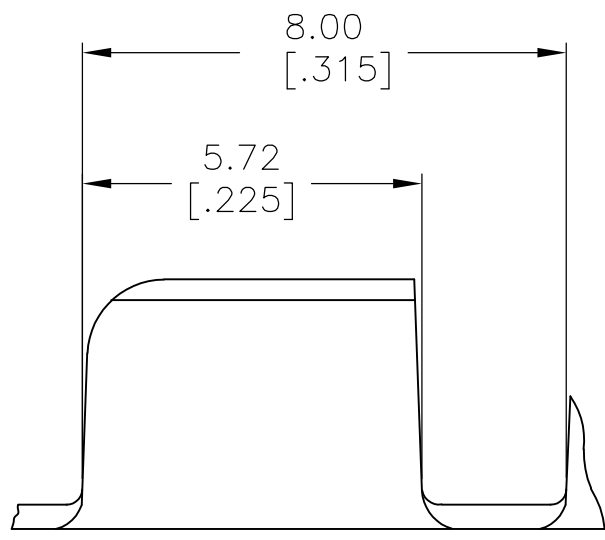
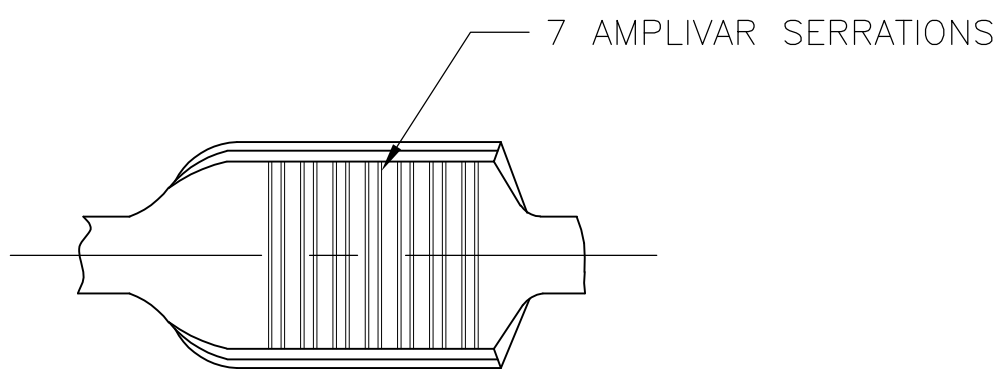
Email & Skype: info@chipsmall.com Web: www.chipsmall.com

Address: A1208, Overseas Decoration Building, #122 Zhenhua RD., Futian, Shenzhen, China



THIS DRAWING IS UNPUBLISHED. RELEASED FOR PUBLICATION
 © COPYRIGHT BY TYCO ELECTRONICS CORPORATION. ALL RIGHTS RESERVED.

LOC	DIST	REVISIONS			
P	LTR	DESCRIPTION	DATE	DWN	APVD
AF	50				
	K2	REVISED PER ECR-07-018788	20AUG07	HMR	GP
	K3	REVISED PER ECO-09-021826	05JAN10	KK	AEG



SECTION A-A
SCALE 20:1

- 1 CONTINUOUS STRIP ON REELS
- 2 DIMENSIONS IN BRACKETS ARE IN INCHES
- 3 FOR ADDITIONAL INFORMATION, SEE APPLICATION SPEC. 114-2002
- △4 FOREIGN PRODUCTION PART NUMBER
- 6 WIRE RANGE: 1500 - 5000 CMA
- △7 CRIMP WIDTH: .110 F TYPE (AMPLIVAR PIGTAIL)
 CRIMP HEIGHT (±.002)=(TOTAL CMA+10,700)/193,400
 GENERAL APPLICATION GUIDELINES MUST BE FOLLOWED AS SPECIFIED IN CATALOG #82221
 FOR APPLICATOR INFORMATION CALL:1-800-722-1111
 FOR PRODUCT INFORMATION CALL:1-800-522-6752
- △8 OBSOLETE PARTS: OBSOLETE CIS STREAMLINING PER D.RENAUD/D.SINISI

△8	OBSOLETE	SPECIAL	TIN PLATE	62040-6
△4	OBSOLETE	-	-	62040-5
△4	OBSOLETE	-	-	62040-4
	OBSOLETE	REVERSE	TIN PLATE	62040-3
		STANDARD	-	62040-2
		STANDARD	TIN PLATE	62040-1
		REELING	FINISH	PART NO

THIS DRAWING IS A CONTROLLED DOCUMENT.		DWN RAGHAVENDRA 16OCT2006	Tyco Electronics Corporation Harrisburg, PA 17105-3608	
DIMENSIONS: mm [INCHES]		CHK G.D.PORTA	NAME	
TOLERANCES UNLESS OTHERWISE SPECIFIED:		APVD G.D.PORTA	PRODUCT SPEC	
0 PLC ± -		APPLICATION SPEC		
1 PLC ± -		SIZE CAGE CODE DRAWING NO RESTRICTED TO		
2 PLC ± -		A3 00779 C-62040		
3 PLC ± 0.38 [.015]		SCALE 8:1 SHEET 1 OF 1 REV K3		
4 PLC ± -		CUSTOMER DRAWING		
ANGLES ± 1° 0'		FINISH SEE TABLE		
MATERIAL BRASS		WEIGHT -		