



Chipsmall Limited consists of a professional team with an average of over 10 year of expertise in the distribution of electronic components. Based in Hongkong, we have already established firm and mutual-benefit business relationships with customers from,Europe,America and south Asia,supplying obsolete and hard-to-find components to meet their specific needs.

With the principle of “Quality Parts,Customers Priority,Honest Operation,and Considerate Service”,our business mainly focus on the distribution of electronic components. Line cards we deal with include Microchip,ALPS,ROHM,Xilinx,Pulse,ON,Everlight and Freescale. Main products comprise IC,Modules,Potentiometer,IC Socket,Relay,Connector.Our parts cover such applications as commercial,industrial, and automotives areas.

We are looking forward to setting up business relationship with you and hope to provide you with the best service and solution. Let us make a better world for our industry!



Contact us

Tel: +86-755-8981 8866 Fax: +86-755-8427 6832

Email & Skype: info@chipsmall.com Web: www.chipsmall.com

Address: A1208, Overseas Decoration Building, #122 Zhenhua RD., Futian, Shenzhen, China



4

3

2

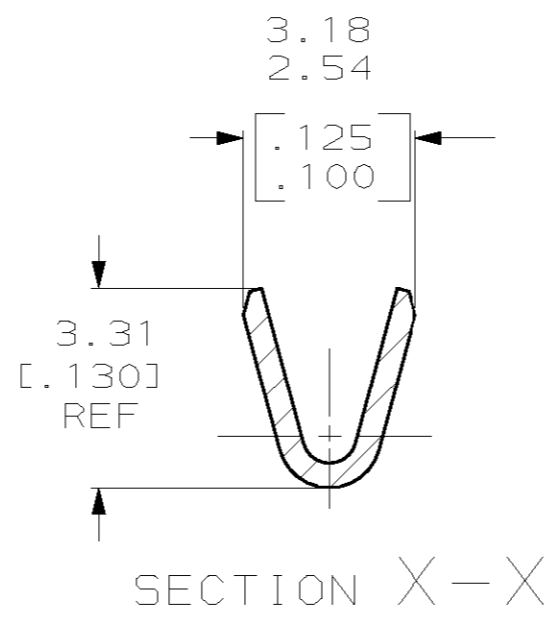
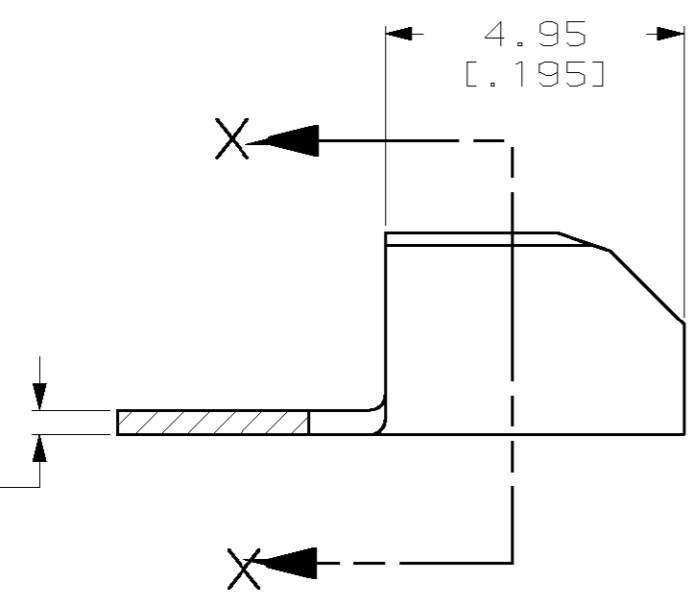
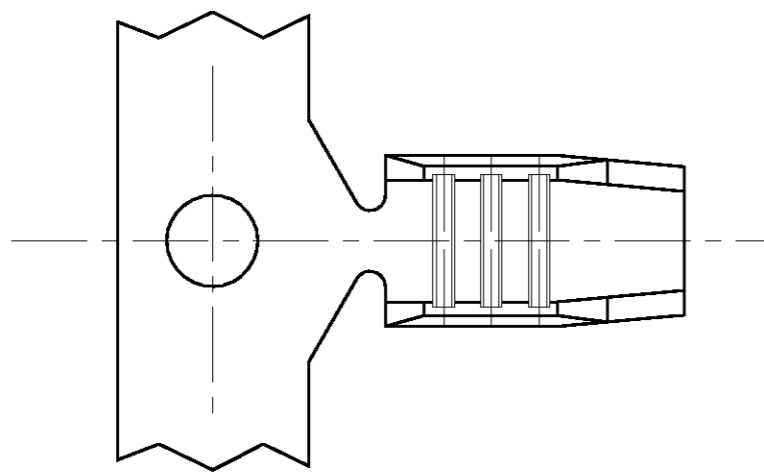
1

THIS DRAWING IS UNPUBLISHED. RELEASED FOR PUBLICATION, 19 .

© COPYRIGHT 19 BY AMP INCORPORATED. ALL RIGHTS RESERVED.

LOC	DIST	REVISIONS			
P	LTR	DESCRIPTION	DATE	DWN	APVD
AF	50	B	REDRAWN & ADDED -2 PER OG3A-0493-00	27JUL00	JR GP

- 1 WIRE RANGE IS 480 TO 1700 CMA.
- 2 CONTINUOUS STRIP ON REELS.
- 3 PART REELED WITH WIRE BBL UP.
- 4 PRELIMINARY - NOT FOR PRODUCTION



3	4	62044-2
		62044-1
		PART NO.

THIS DRAWING IS A CONTROLLED DOCUMENT.		DWN JR RUTH 27JUL00	AMP Incorporated Harrisburg, PA 17105-3608													
DIMENSIONS: mm [INCHES]		CHK MS FEHER 27JUL00														
TOLERANCES UNLESS OTHERWISE SPECIFIED:		APVD G PORTA 27JUL00	NAME SPLICE, AMPLIVAR, MINIATURE													
<table border="0"> <tr><td>0 PLC</td><td>±-</td></tr> <tr><td>1 PLC</td><td>±-</td></tr> <tr><td>2 PLC</td><td>±0.38 [.015]</td></tr> <tr><td>3 PLC</td><td>±-</td></tr> <tr><td>4 PLC</td><td>±-</td></tr> <tr><td>ANGLES</td><td>±-</td></tr> </table>		0 PLC	±-	1 PLC	±-	2 PLC	±0.38 [.015]	3 PLC	±-	4 PLC	±-	ANGLES	±-	PRODUCT SPEC -	RESTRICTED TO -	
0 PLC	±-															
1 PLC	±-															
2 PLC	±0.38 [.015]															
3 PLC	±-															
4 PLC	±-															
ANGLES	±-															
MATERIAL 082 BRASS		APPLICATION SPEC 114-2016	SIZE A3	CAGE CODE 00779	DRAWING NO C- 62044											
FINISH -		WEIGHT -	SCALE 8:1		SHEET 1 OF 1											
CUSTOMER DRAWING			REV B													