



Chipsmall Limited consists of a professional team with an average of over 10 year of expertise in the distribution of electronic components. Based in Hongkong, we have already established firm and mutual-benefit business relationships with customers from,Europe,America and south Asia,supplying obsolete and hard-to-find components to meet their specific needs.

With the principle of “Quality Parts,Customers Priority,Honest Operation,and Considerate Service”,our business mainly focus on the distribution of electronic components. Line cards we deal with include Microchip,ALPS,ROHM,Xilinx,Pulse,ON,Everlight and Freescale. Main products comprise IC,Modules,Potentiometer,IC Socket,Relay,Connector.Our parts cover such applications as commercial,industrial, and automotives areas.

We are looking forward to setting up business relationship with you and hope to provide you with the best service and solution. Let us make a better world for our industry!



Contact us

Tel: +86-755-8981 8866 Fax: +86-755-8427 6832

Email & Skype: info@chipsmall.com Web: www.chipsmall.com

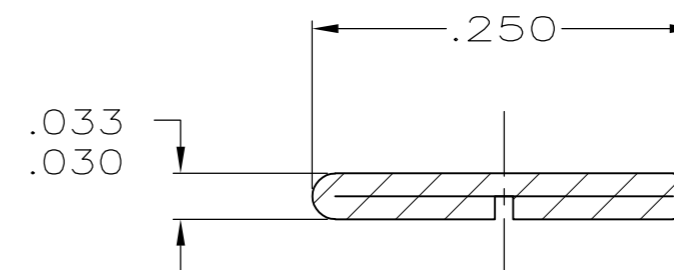
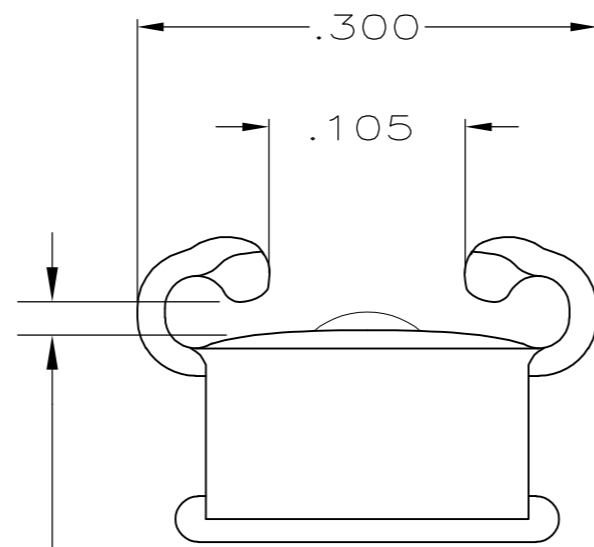
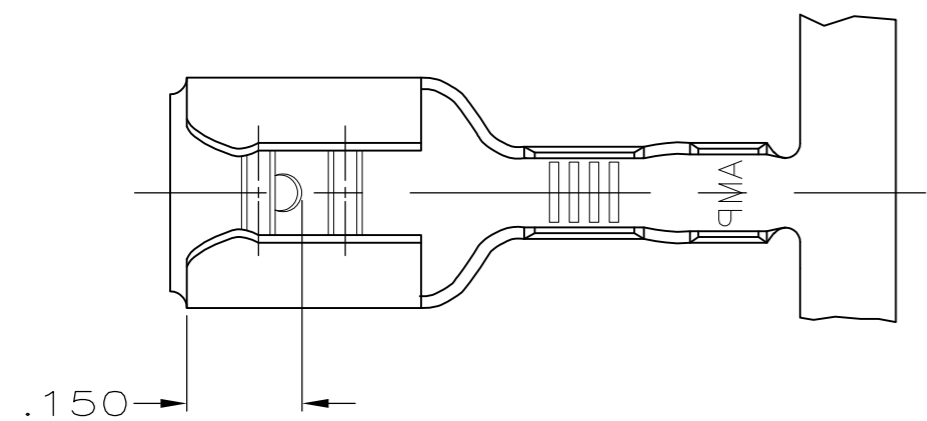
Address: A1208, Overseas Decoration Building, #122 Zhenhua RD., Futian, Shenzhen, China



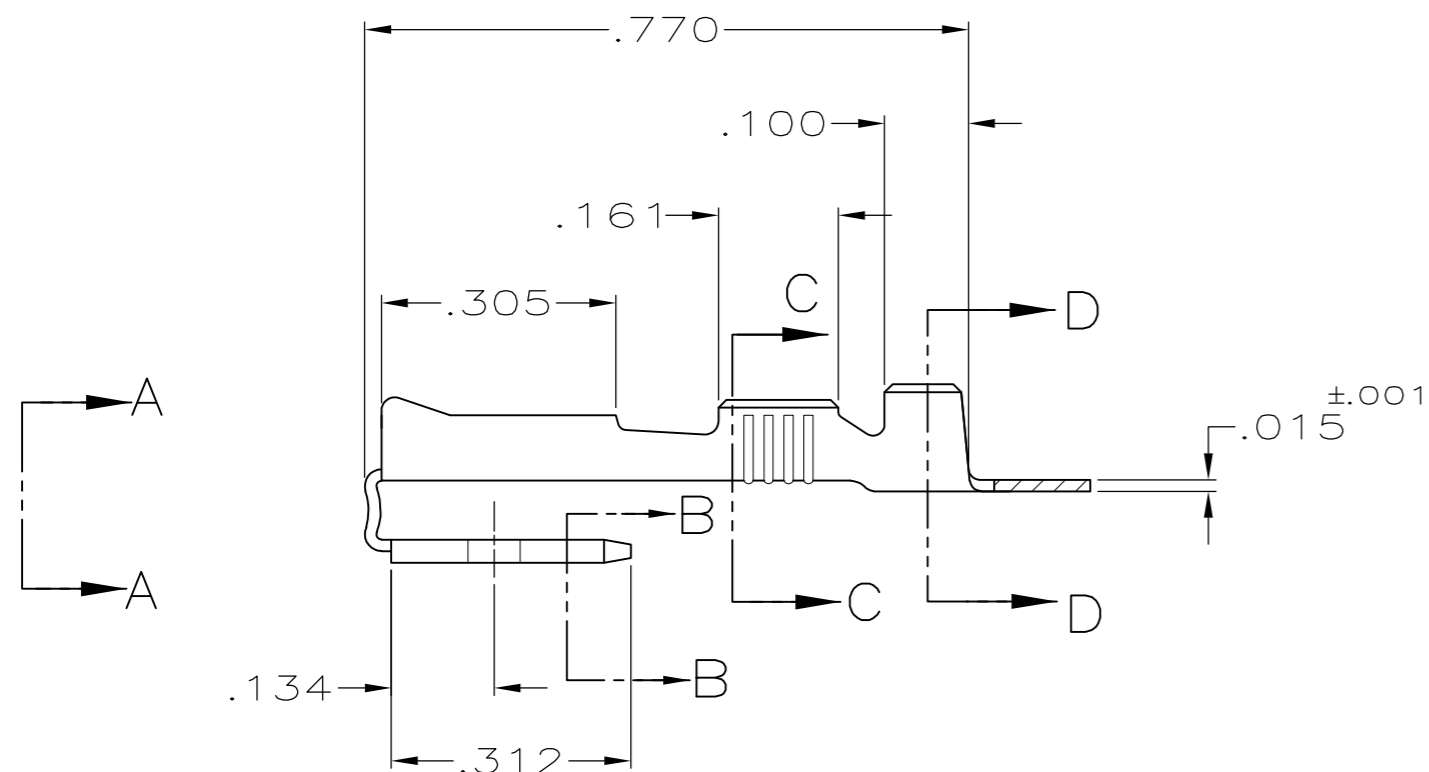
THIS DRAWING IS UNPUBLISHED. RELEASED FOR PUBLICATION
 © COPYRIGHT - By - ALL RIGHTS RESERVED.

LOC		DIST		REVISIONS			
P	LTR	DESCRIPTION		DATE	DWN	APVD	
AF	50	G		REVISED PER ECR-12-013459	28NOV2012	KH	PD

1 CONTINUOUS STRIP ON REELS

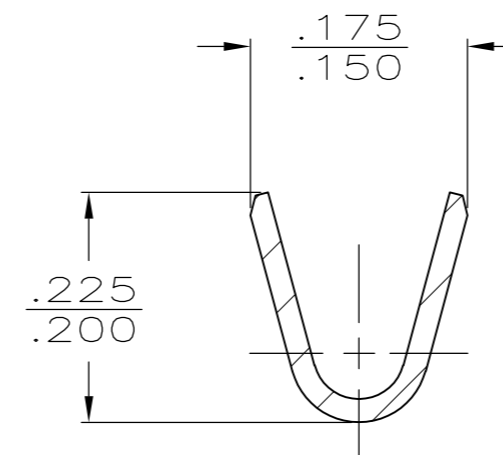


SECTION B-B
SCALE 8:1

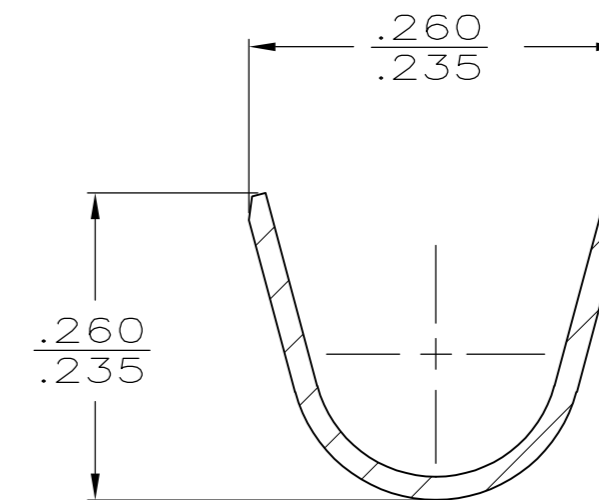


FITS .250 SERIES FASTON TAB

VIEW A-A
SCALE 8:1



SECTION C-C
SCALE 8:1



SECTION D-D
SCALE 8:1

OBSOLETE	PRE-TIN	#4H BRASS	.150-.200	14-10	.032	62049-3
	TIN	BRASS	.150-.200	14-10	.032	62049-2
OBSOLETE	-	#4H BRASS	.150-.200	14-10	.032	62049-1
	FINISH	MATERIAL	INSULATION RANGE	WIRE SIZE	MATING TAB THK ±.001	PART NO

F	.220	.220	F	.130	.111	10
					.091	12
					.079	14
TYPE	WIDTH	STRIP LENGTH #.015	TYPE	WIDTH	#.002 HEIGHT	WIRE
INSUL BARREL CRIMP			WIRE BARREL CRIMP			

THIS DRAWING IS A CONTROLLED DOCUMENT.

DWN	JR RUTH	7/12/89
CHK	MS FEHER	7/12/89
APVD	C MEYERS	7/12/89
PRODUCT SPEC		
APPLICATION SPEC	114-2082	
WEIGHT	-	
CUSTOMER DRAWING		

TE TE Connectivity

RECEPTACLE, FASTON, PIGGYBACK, .250 SERIES

SIZE	CAGE CODE	DRAWING NO	RESTRICTED TO
A2	00779	C-62049	-
SCALE	4:1	SHEET	1 of 1
REV	G		