



Chipsmall Limited consists of a professional team with an average of over 10 year of expertise in the distribution of electronic components. Based in Hongkong, we have already established firm and mutual-benefit business relationships with customers from,Europe,America and south Asia,supplying obsolete and hard-to-find components to meet their specific needs.

With the principle of "Quality Parts,Customers Priority,Honest Operation,and Considerate Service",our business mainly focus on the distribution of electronic components. Line cards we deal with include Microchip,ALPS,ROHM,Xilinx,Pulse,ON,Everlight and Freescale. Main products comprise IC,Modules,Potentiometer,IC Socket,Relay,Connector.Our parts cover such applications as commercial,industrial, and automotives areas.

We are looking forward to setting up business relationship with you and hope to provide you with the best service and solution. Let us make a better world for our industry!



## Contact us

Tel: +86-755-8981 8866 Fax: +86-755-8427 6832

Email & Skype: info@chipsmall.com Web: www.chipsmall.com

Address: A1208, Overseas Decoration Building, #122 Zhenhua RD., Futian, Shenzhen, China



THIS DRAWING IS UNPUBLISHED.

RELEASED FOR PUBLICATION

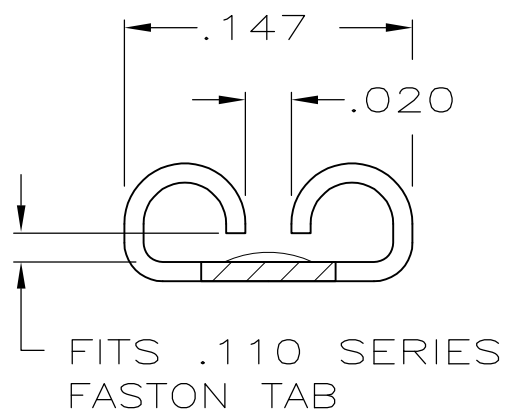
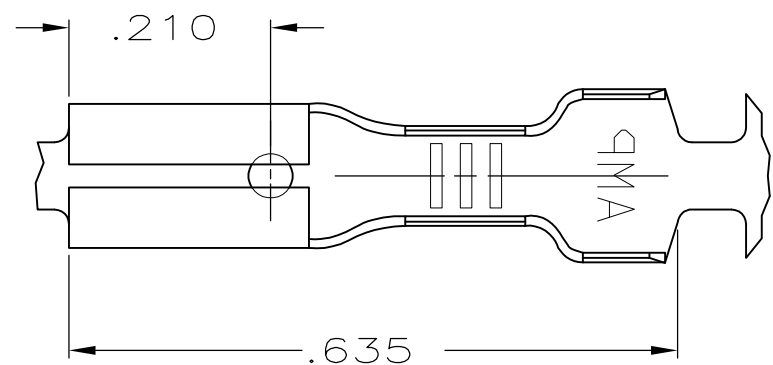
ALL RIGHTS RESERVED.

© COPYRIGHT - By -

LOC AF DIST 50

REVISIONS

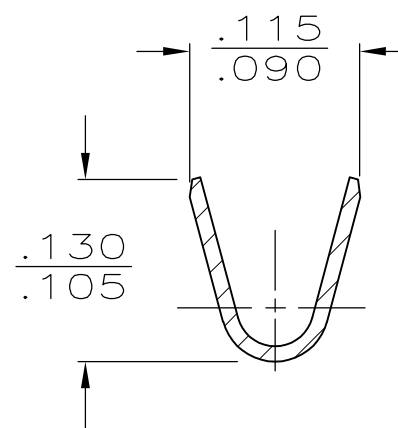
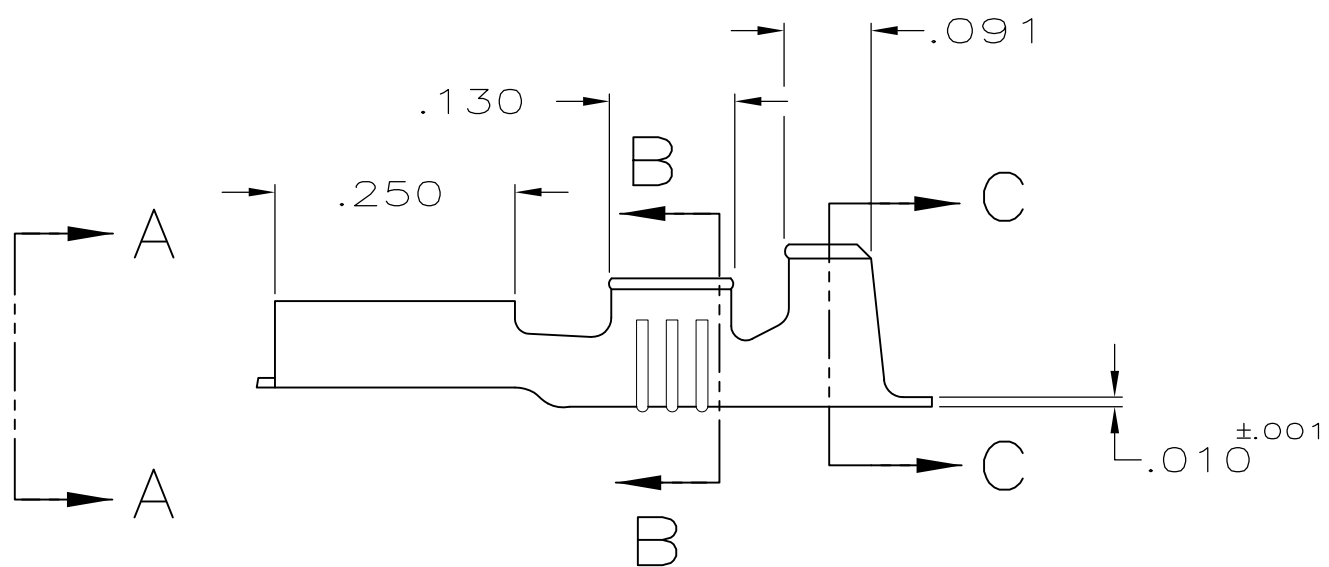
P	LTR	DESCRIPTION	DATE	DWN	APVD
	E	REVISED PER ECR-12-013459	28NOV2012	KH	PD



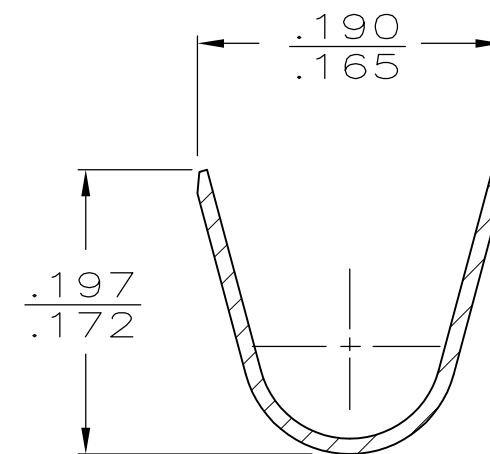
FITS .110 SERIES FASTON TAB

VIEW A-A

- 1 CONTINUOUS STRIP ON REELS.
- 2 MATING TAB THK TO BE  $.032 \pm .001$ .
- 3 WIRE SIZE IS #20-#16 AWG.
- 4 INSULATION RANGE TO BE  $.120-.140$  DIA.



SECTION B-B



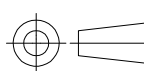
SECTION C-C

.000150 MIN NICKEL	082 STEEL	62050-2
PRE-TIN	BRASS	62050-1
FINISH	MATERIAL	PART NO

TYPE	WIDTH	STRIP LENGTH ±.015	TYPE	WIDTH	±.002 HEIGHT	WIRE
F	.155	.188	F	.070	.060	16
					.051	18
					.045	20
INSUL BARREL CRIMP			WIRE BARREL CRIMP			

THIS DRAWING IS A CONTROLLED DOCUMENT.

DIMENSIONS: INCHES



TOLERANCES UNLESS OTHERWISE SPECIFIED:

0 PLC	± -
1 PLC	± -
2 PLC	± -
3 PLC	± .015
4 PLC ANGLES	± -

MATERIAL SEE TABLE

FINISH SEE TABLE

DWN	JR RUTH	5/15/89
CHK	M FEHER	5/15/89
APVD	C MEYERS	5/15/89
PRODUCT SPEC		
APPLICATION SPEC		
114-2036		
WEIGHT	-	
CUSTOMER DRAWING		

		TE Connectivity	
		RECEPTACLE, FASTON,™ .110 SERIES	
SIZE	CAGE CODE	DRAWING NO	RESTRICTED TO
A3	00779	C-62050	-
SCALE NTS		SHEET 1 OF 1	REV E