



Chipsmall Limited consists of a professional team with an average of over 10 year of expertise in the distribution of electronic components. Based in Hongkong, we have already established firm and mutual-benefit business relationships with customers from,Europe,America and south Asia,supplying obsolete and hard-to-find components to meet their specific needs.

With the principle of “Quality Parts,Customers Priority,Honest Operation,and Considerate Service”,our business mainly focus on the distribution of electronic components. Line cards we deal with include Microchip,ALPS,ROHM,Xilinx,Pulse,ON,Everlight and Freescale. Main products comprise IC,Modules,Potentiometer,IC Socket,Relay,Connector.Our parts cover such applications as commercial,industrial, and automotives areas.

We are looking forward to setting up business relationship with you and hope to provide you with the best service and solution. Let us make a better world for our industry!



Contact us

Tel: +86-755-8981 8866 Fax: +86-755-8427 6832

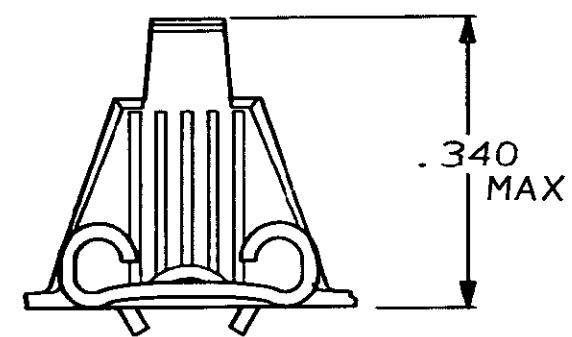
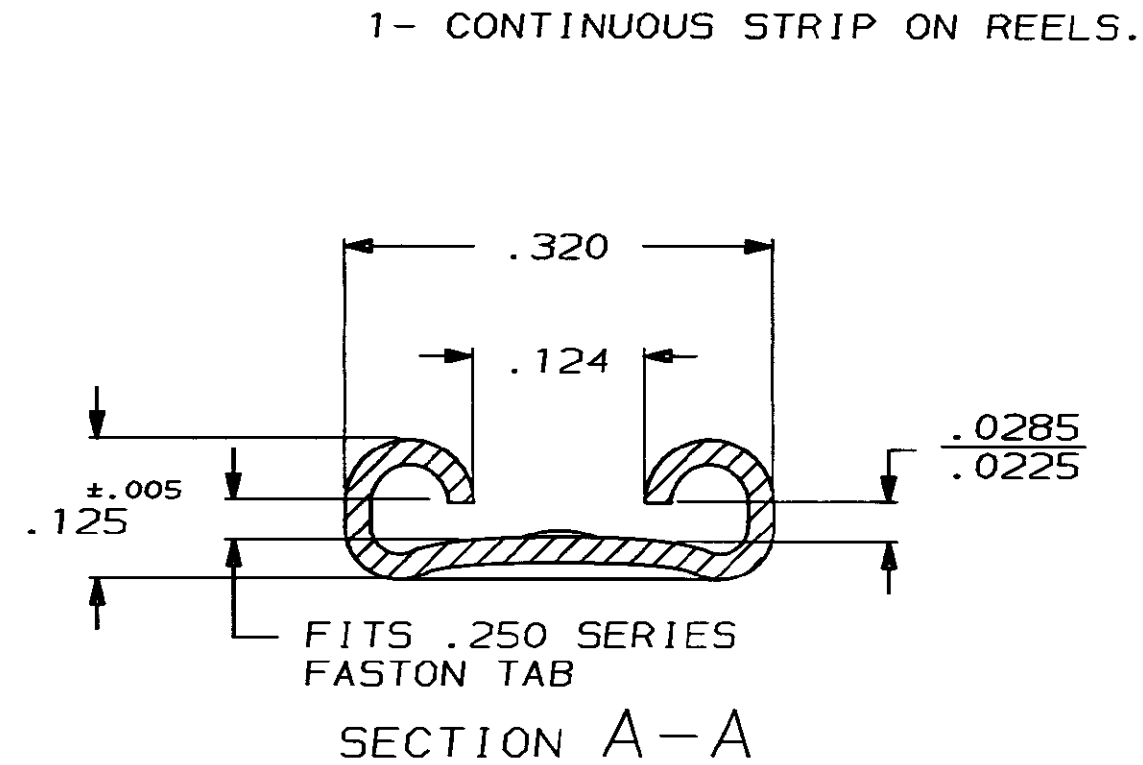
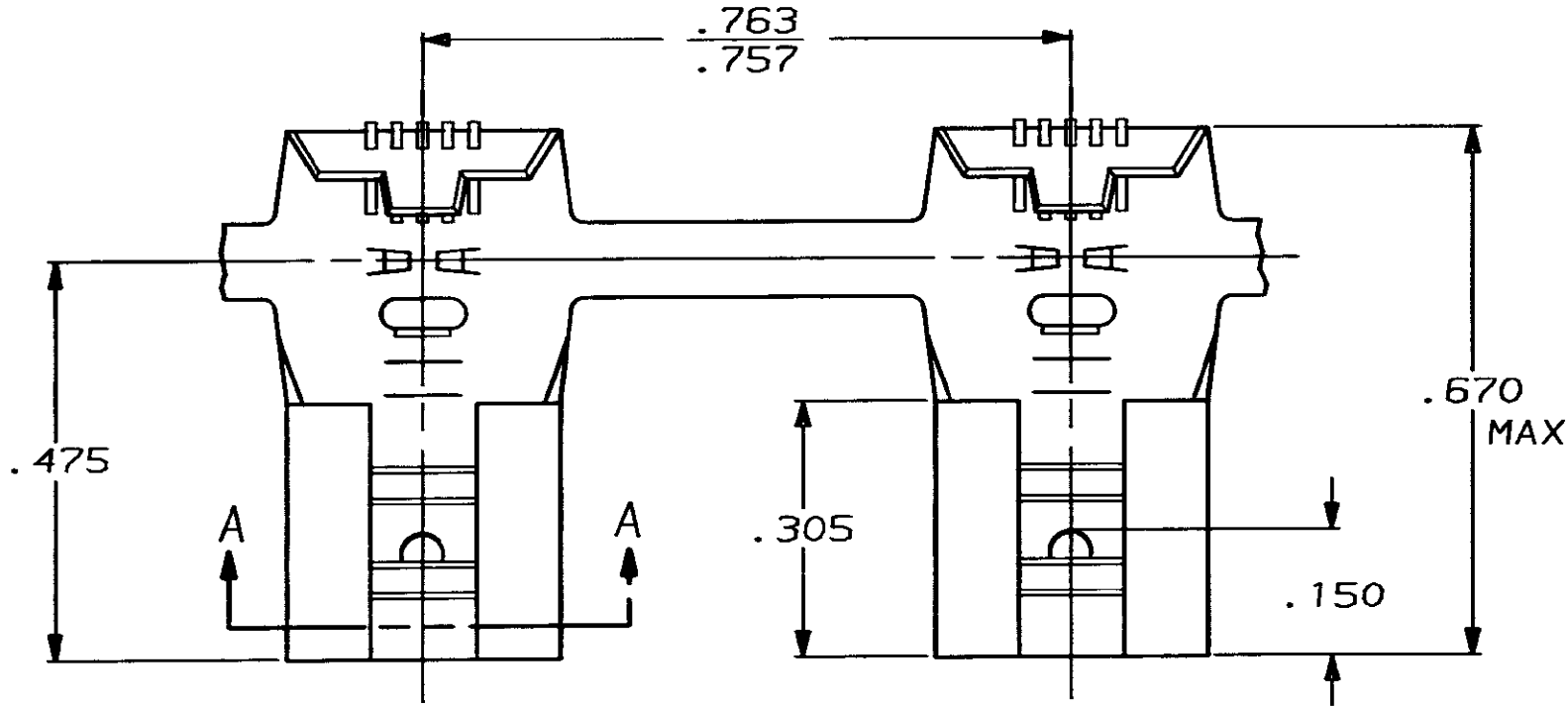
Email & Skype: info@chipsmall.com Web: www.chipsmall.com

Address: A1208, Overseas Decoration Building, #122 Zhenhua RD., Futian, Shenzhen, China



THIS DRAWING IS UNPUBLISHED. RELEASED FOR PUBLICATION, 19
 © COPYRIGHT 1972 BY AMP INCORPORATED, HARRISBURG, PA. ALL INTERNATIONAL RIGHTS RESERVED. AMP PRODUCTS MAY BE COVERED BY U.S. AND FOREIGN PATENTS AND/OR PATENTS PENDING.

LOC		DIST		P		F		REVISIONS				
AF		50		P		F		ZONE	LTR	DESCRIPTION	DATE	APPROVED
									R	REVISED AF-6298	10/19/89	JR/CM



LEFT HAND	18-12	.032 ±.001	TIN	.018 PHOS. BRONZE	62056-7
RIGHT HAND	18-12	.032 ±.001	TIN	.018 PHOS. BRONZE	62056-6
LEFT HAND	18-12	.032 ±.001	---	.018 BRASS	62056-5
LEFT HAND	18-12	.032 ±.001	TIN	.018 4M BRASS	62056-4
RIGHT HAND	18-12	.032 ±.001	TIN	.018 4M BRASS	62056-3
LEFT HAND	18-12	.032 ±.001	SILVER	.018 PHOS. BRONZE	62056-2
RIGHT HAND	18-12	.032 ±.001	SILVER	.018 PHOS. BRONZE	62056-1
REELING	WIRE SIZE	TAB THK	FINISH	MATERIAL	PART NO

UNLESS OTHERWISE SPECIFIED DIMENSIONS ARE IN INCHES TOLERANCES ON:		DR JR RUTH 2/3/86		AMP AMP INCORPORATED Harrisburg, Pa. 17105	
2 PL DEC ± _____		CHK M FEHER 2/6/86			
3 PL DEC ± .015		APPD C MEYERS 2/7/86		NAME .250 SERIES FLAG FASTON RECEPTACLE	
ANGLES ± _____		APPD R KUZO 2/7/86		SIZE B FSCM NO 00779 DRAWING NO 62056	
MATERIAL SEE TABLE		PRODUCT SPEC _____		SCALE NTS SHEET 1 OF 1	
FINISH SEE TABLE		APPLICATION SPEC _____			
		WEIGHT _____			