



Chipsmall Limited consists of a professional team with an average of over 10 year of expertise in the distribution of electronic components. Based in Hongkong, we have already established firm and mutual-benefit business relationships with customers from,Europe,America and south Asia,supplying obsolete and hard-to-find components to meet their specific needs.

With the principle of “Quality Parts,Customers Priority,Honest Operation,and Considerate Service”,our business mainly focus on the distribution of electronic components. Line cards we deal with include Microchip,ALPS,ROHM,Xilinx,Pulse,ON,Everlight and Freescale. Main products comprise IC,Modules,Potentiometer,IC Socket,Relay,Connector.Our parts cover such applications as commercial,industrial, and automotives areas.

We are looking forward to setting up business relationship with you and hope to provide you with the best service and solution. Let us make a better world for our industry!



Contact us

Tel: +86-755-8981 8866 Fax: +86-755-8427 6832

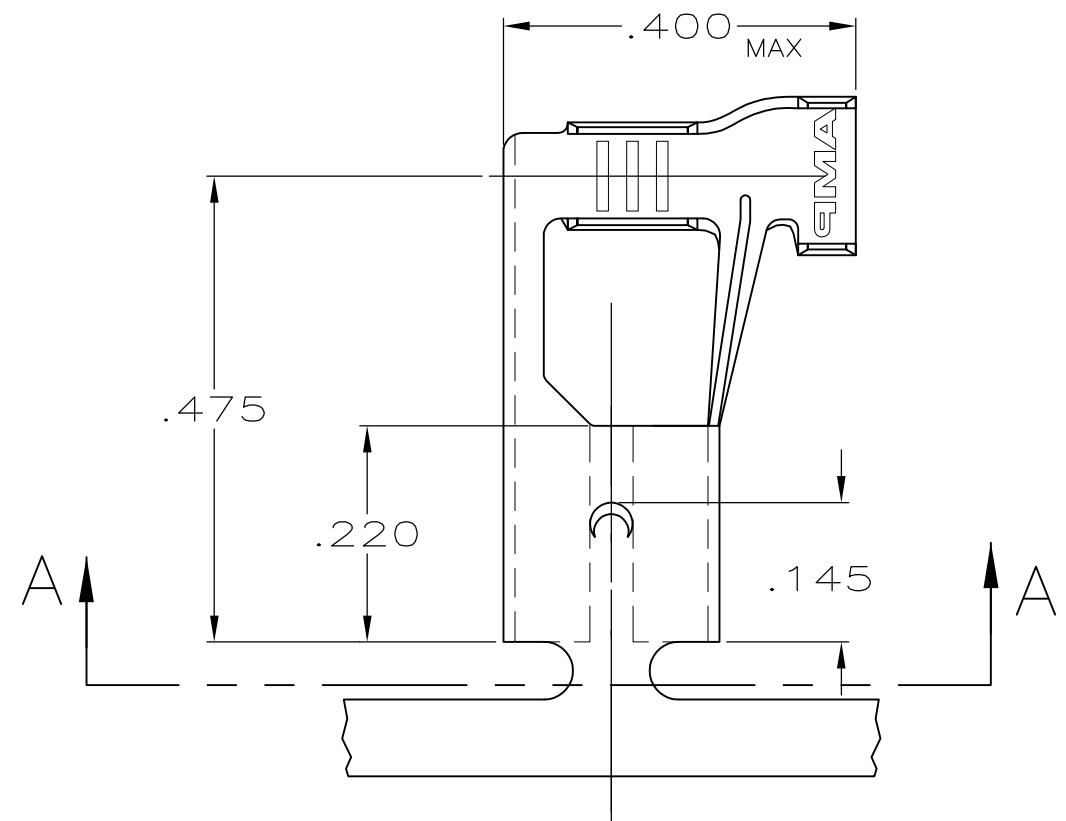
Email & Skype: info@chipsmall.com Web: www.chipsmall.com

Address: A1208, Overseas Decoration Building, #122 Zhenhua RD., Futian, Shenzhen, China

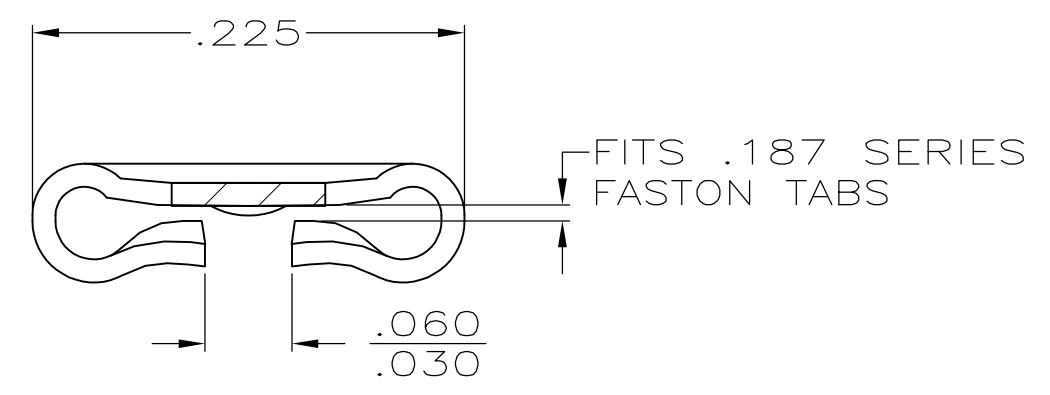


THIS DRAWING IS UNPUBLISHED. RELEASED FOR PUBLICATION
 © COPYRIGHT - By - ALL RIGHTS RESERVED.

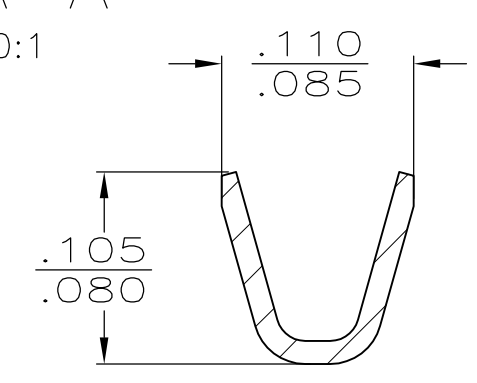
LOC	DIST	REVISIONS			
P	LTR	DESCRIPTION	DATE	DWN	APVD
AF	50	F	REVISED PER ECR-12-013459	28NOV2012	KH PD



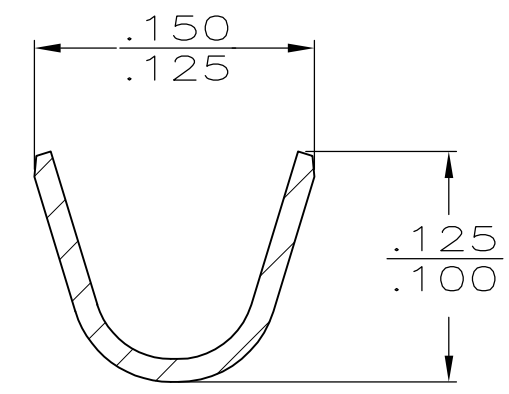
1 CONTINUOUS STRIP ON REELS.



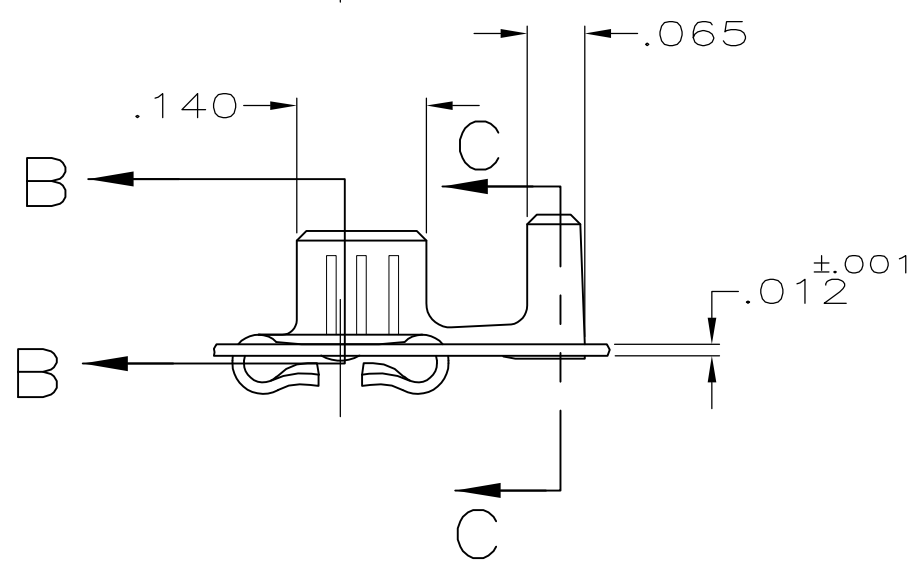
SECTION A-A
SCALE 10:1



SECTION B-B
SCALE 10:1



SECTION C-C
SCALE 10:1



.060-.090 DIA	22-18 AWG	TIN	.020	62085-2
INSULATION RANGE	WIRE SIZE	FINISH	MATING TAB THK #.001	62085-1
				PART NO

THIS DRAWING IS A CONTROLLED DOCUMENT.		DWN JR RUTH 11/5/91	TE Connectivity RECEPTACLE, FASTON, FLAG, .187 SERIES				
DIMENSIONS: INCHES		CHK MS FEHER 11/5/91				NAME	
TOLERANCES UNLESS OTHERWISE SPECIFIED:		APVD C MEYERS 11/5/91				PRODUCT SPEC	
0 PLC ± - 1 PLC ± - 2 PLC ± - 3 PLC ± .015 4 PLC ± - ANGLES ± -		APPLICATION SPEC					
MATERIAL BRASS	FINISH SEE TABLE	WEIGHT -	SIZE A3	CAGE CODE 00779	DRAWING NO C-62085	RESTRICTED TO -	
CUSTOMER DRAWING			SCALE 5:1	SHEET 1 OF 1	REV F		